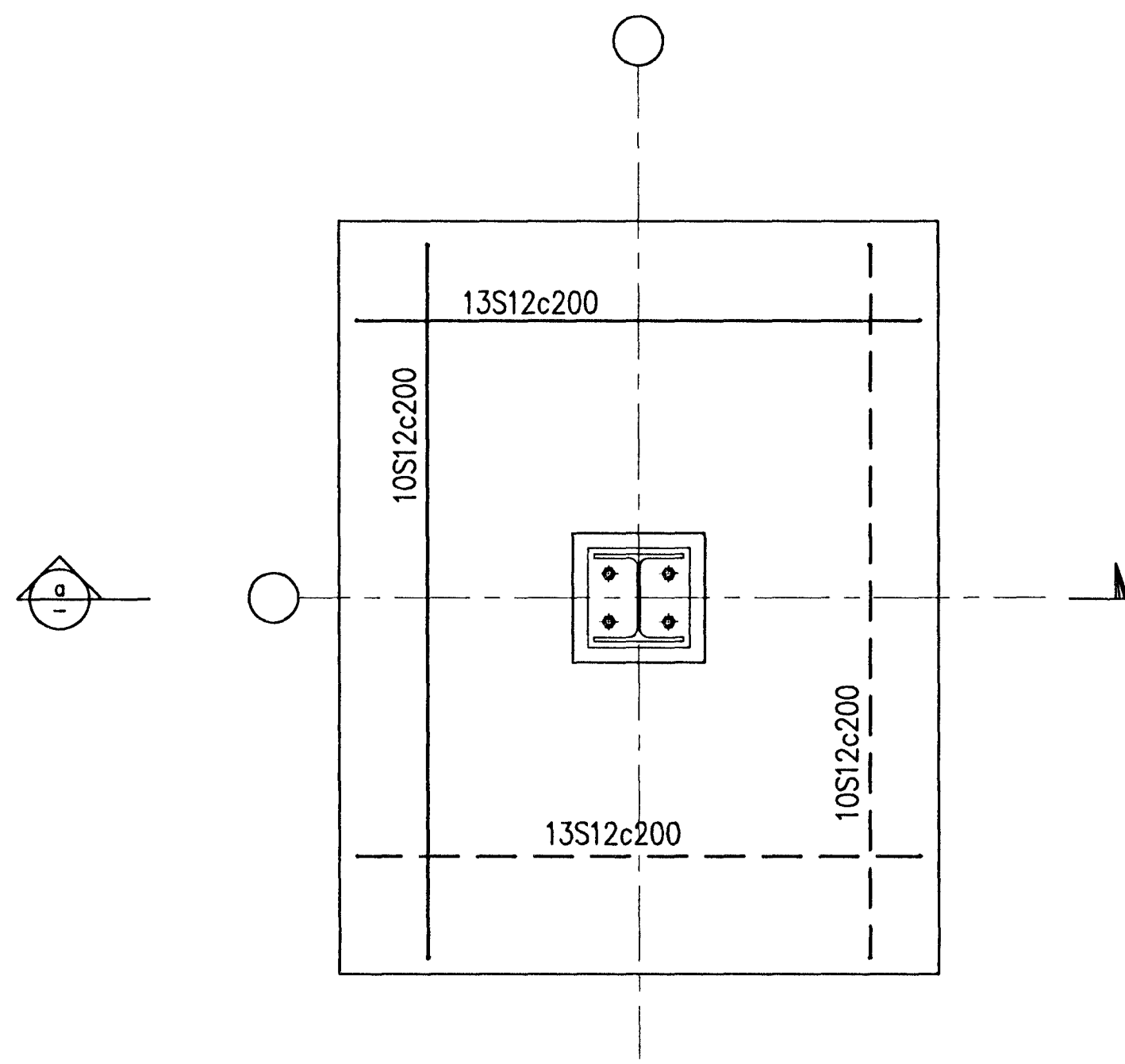
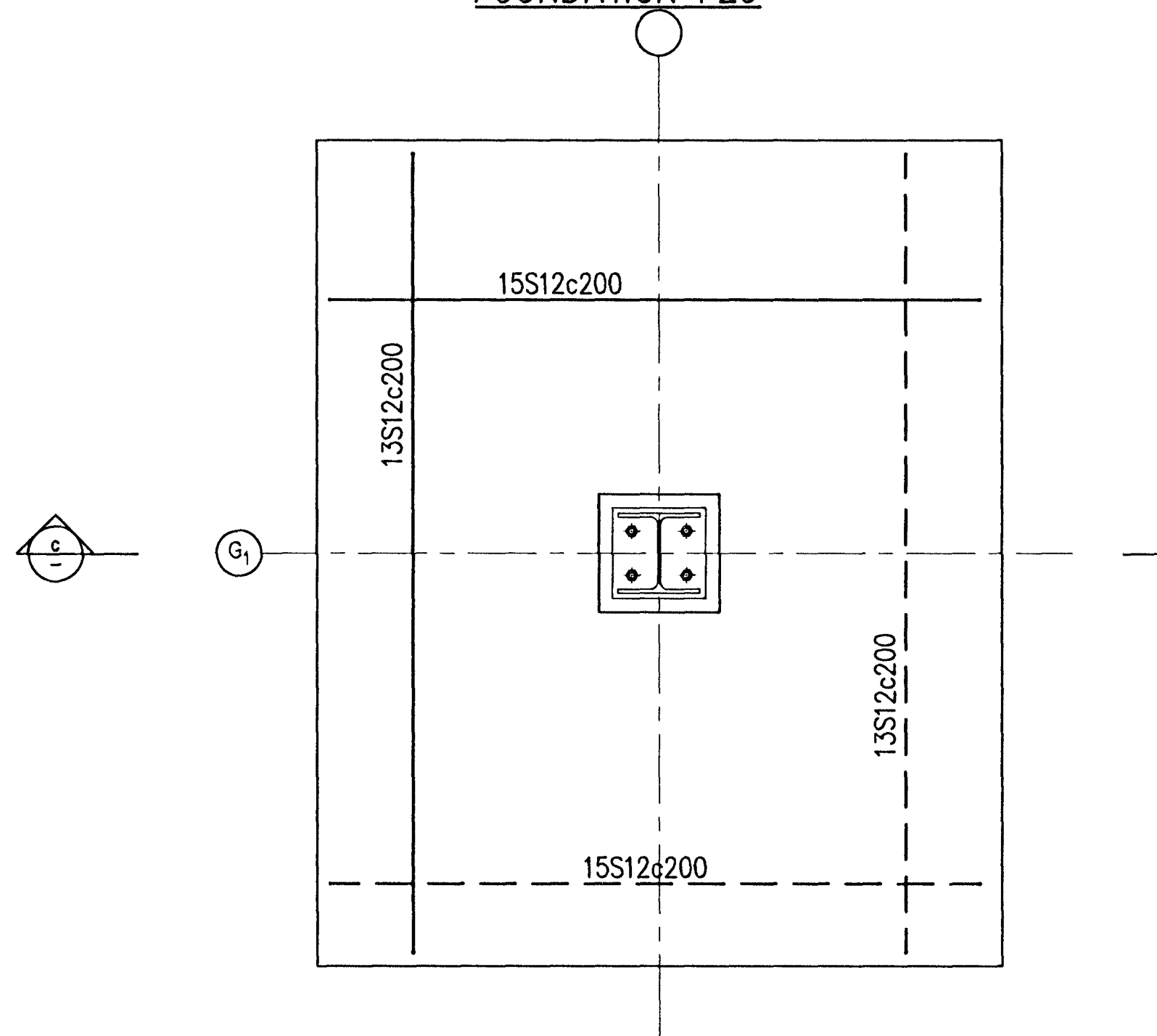


FOUNDATION F1c

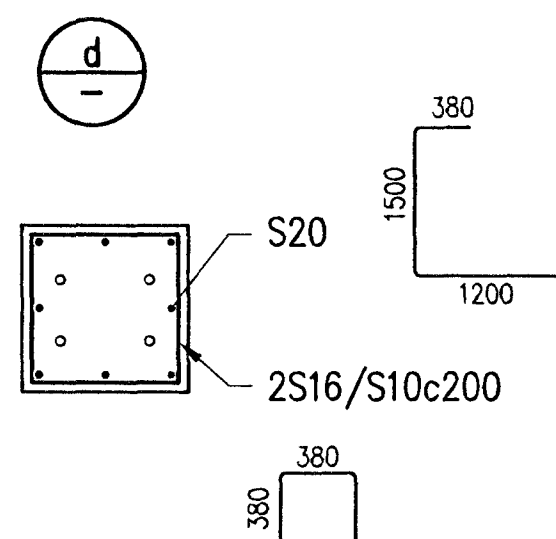
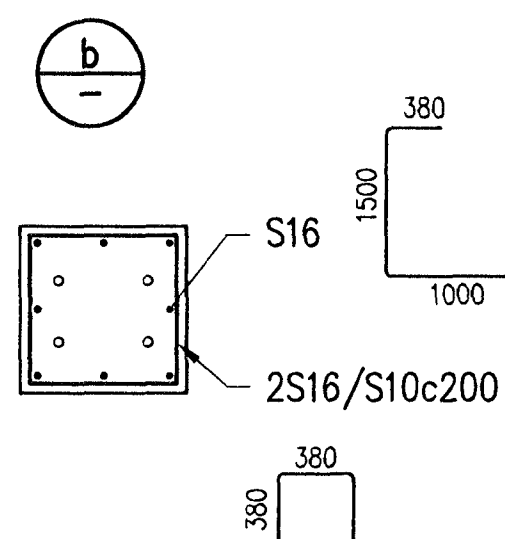
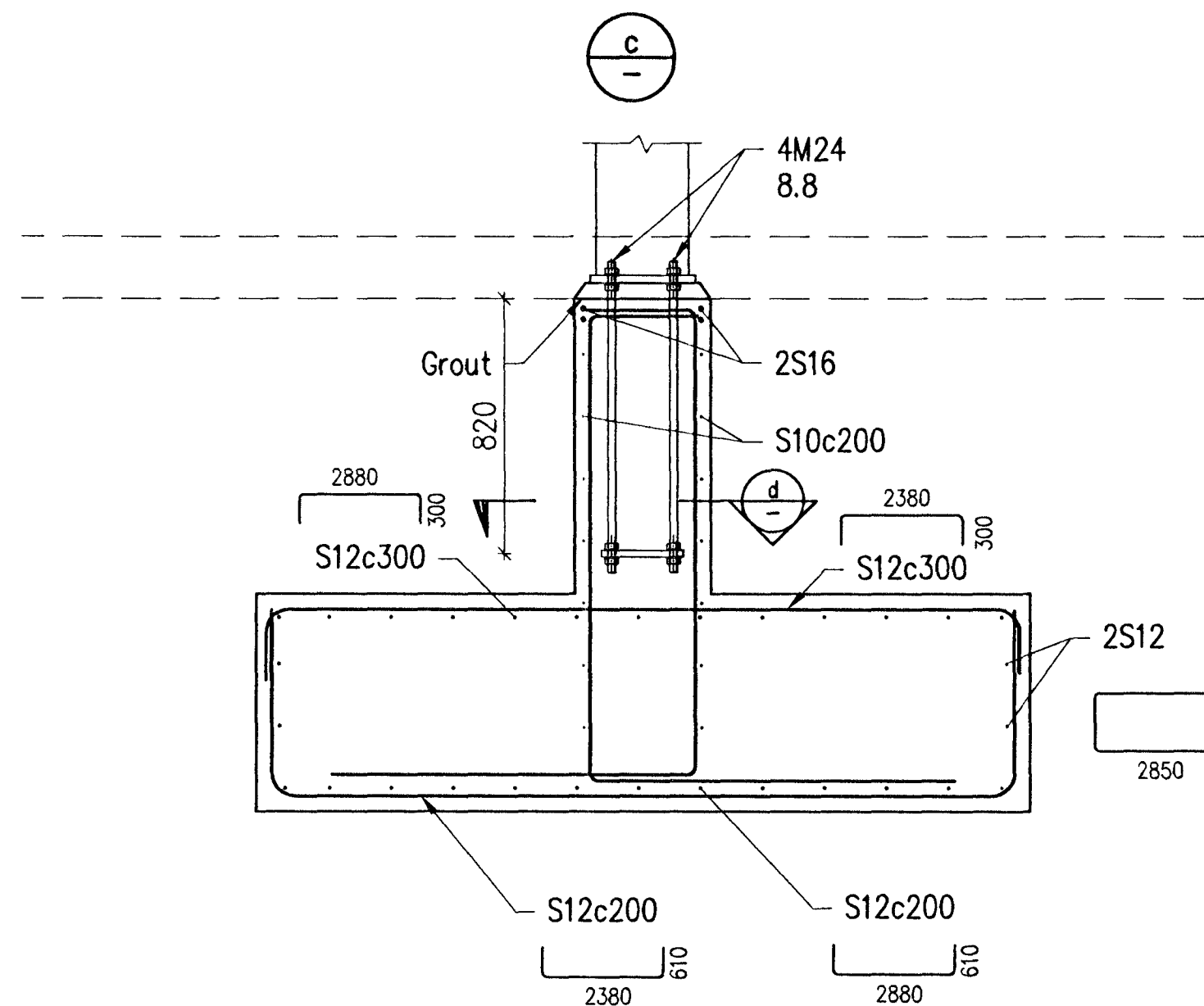
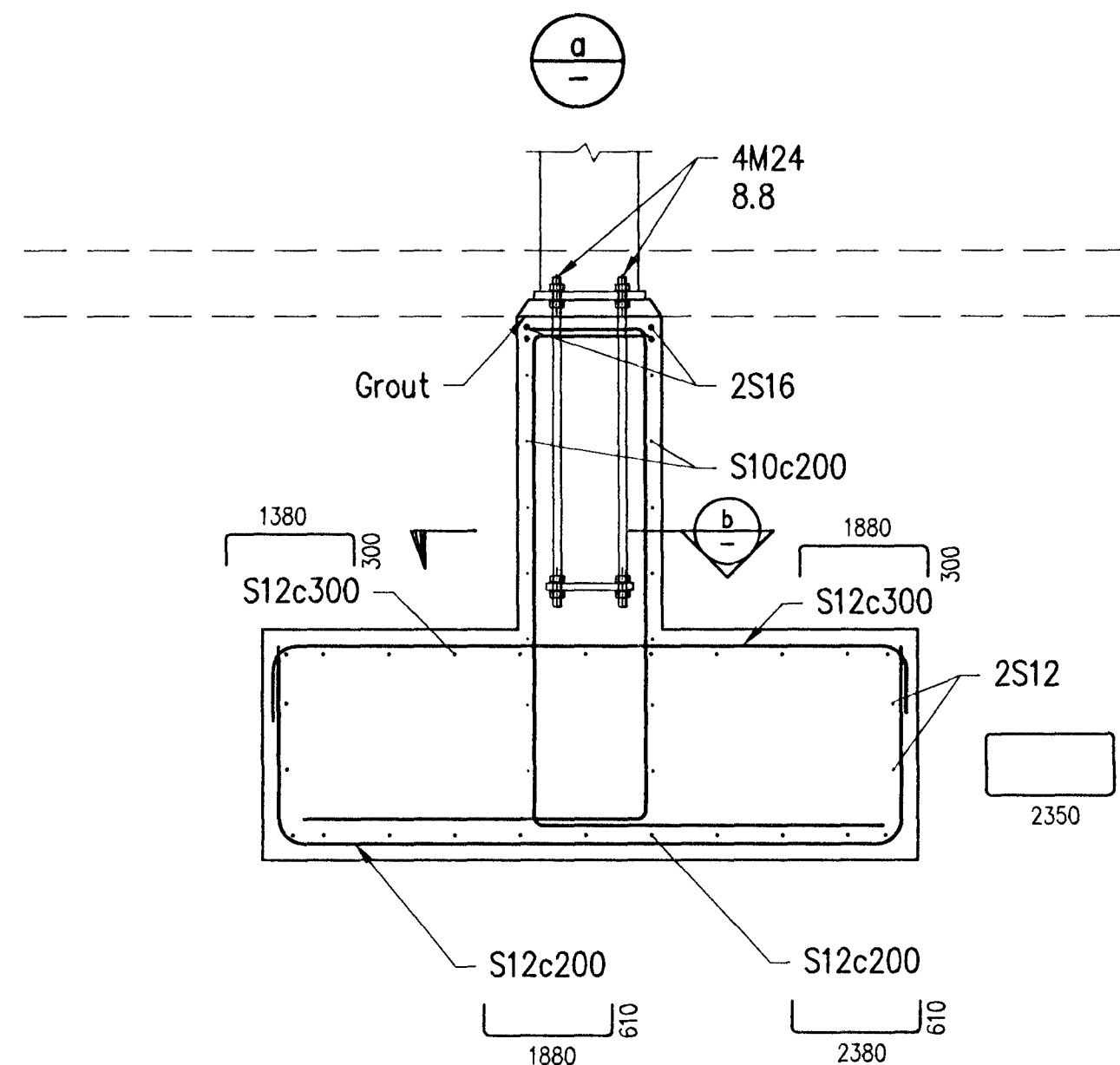


FOUNDATION F2c



Samþykkt þann  
19 JAN 2011  
Byggingarstjórnunni í Hafnarhöfði  
F.H. Höfður S. Gunnlaugsson

Nick Indriðason  
W1



CONCRETE: C30/37:XF3-38



Skýringar:  
Explanations:



Breyt. Rev.	Breyting Revision	Dags. Date	Somþ. Approved	Notk. heimil Released
3	Issued for construction	10.11.24	<i>Kjop</i>	
Tiltekið af ISAL Ref.drawing no. of ISAL				
Samsetning tekið af ISAL Assembly drawing no. of ISAL				

This drawing is the property of the Rio Tinto Alcan Iceland Ltd. and handed out for personal use only. It may neither be copied nor made available to others without permission of the Rio Tinto Alcan Iceland Ltd. The receiver is liable for any misuse.

Fjöldi stykja Number of pieces	Hlutur Object	Atriði Item	Efni Material	eo. stik Weight	Totalt í heild (kg) bygð	Athugasemdir Remarks
IV III II I	ICC CASTHOUSE EXTENSION BUILDINGS BUILDING 2, REINFORCEMENT FOUNDATIONS F1c AND F2c					Stærð Format A1 Mk. Scale 1:20 Kostnaðar- og Önn.-Eg.no.
	Vertikal / Supplier	HRV				Tekna- og Draun- / Drawn by GMC/LDB 2010.05.25
	Yfirfarið / Checked	NI				Samþykkt / Approved NI
	Staða- og Draun- / Status and Drawn by	ISAL				Staða- og Draun- / Status and Drawn by IS-222 Hafnarhöfði
	Yfirfarið og Draun- / Checked and Drawn by					Staða- og Draun- / Status and Drawn by