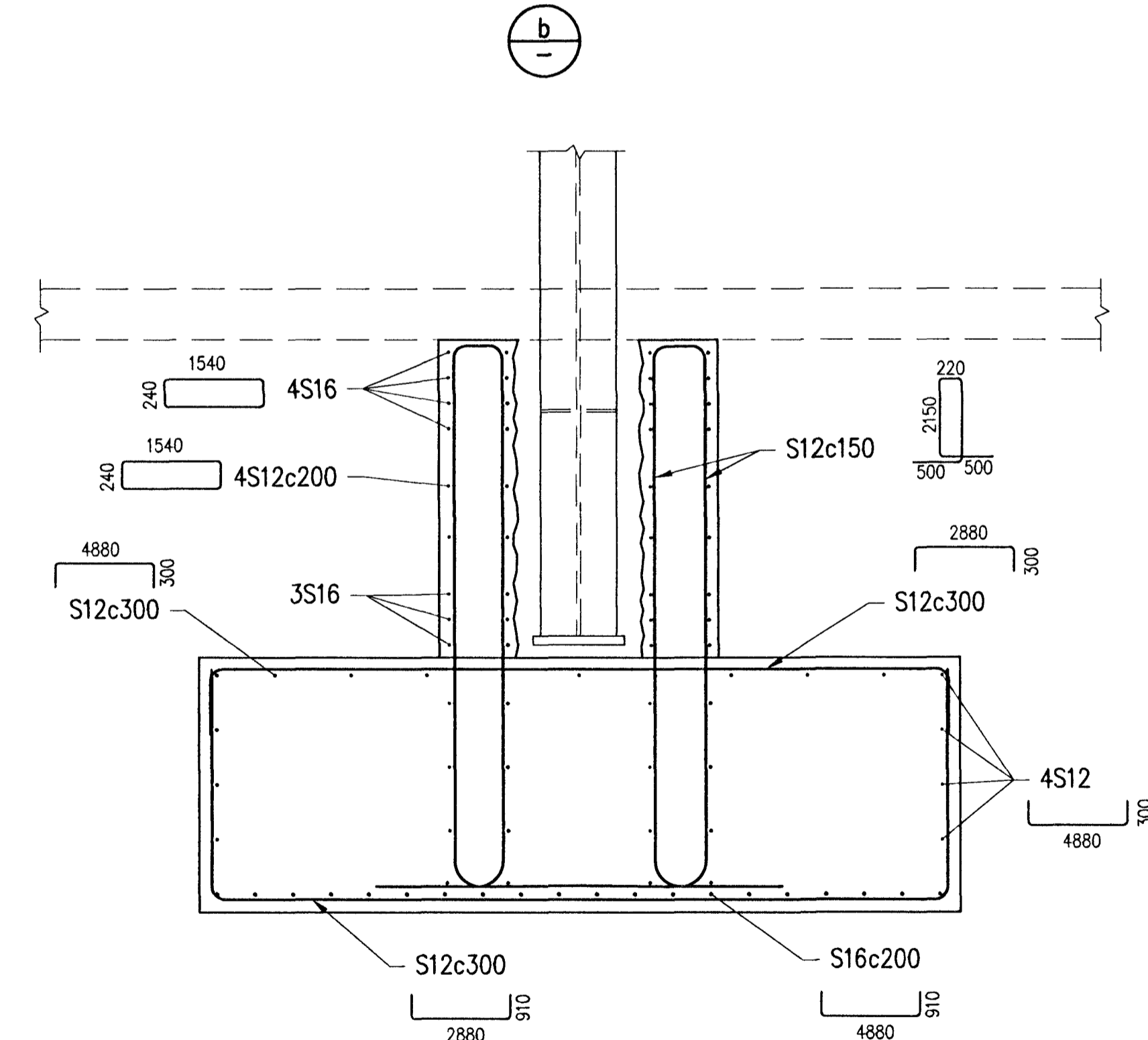
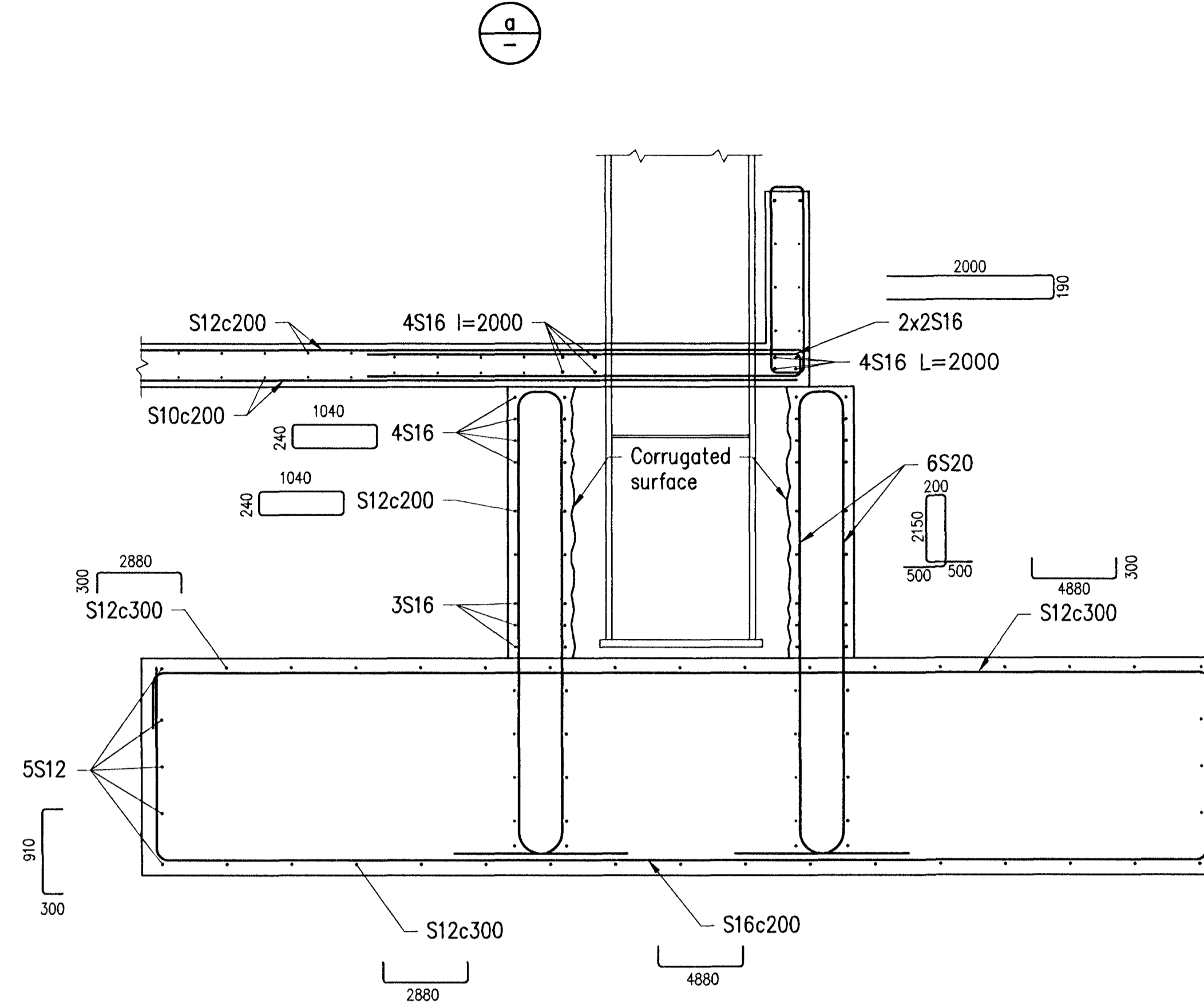
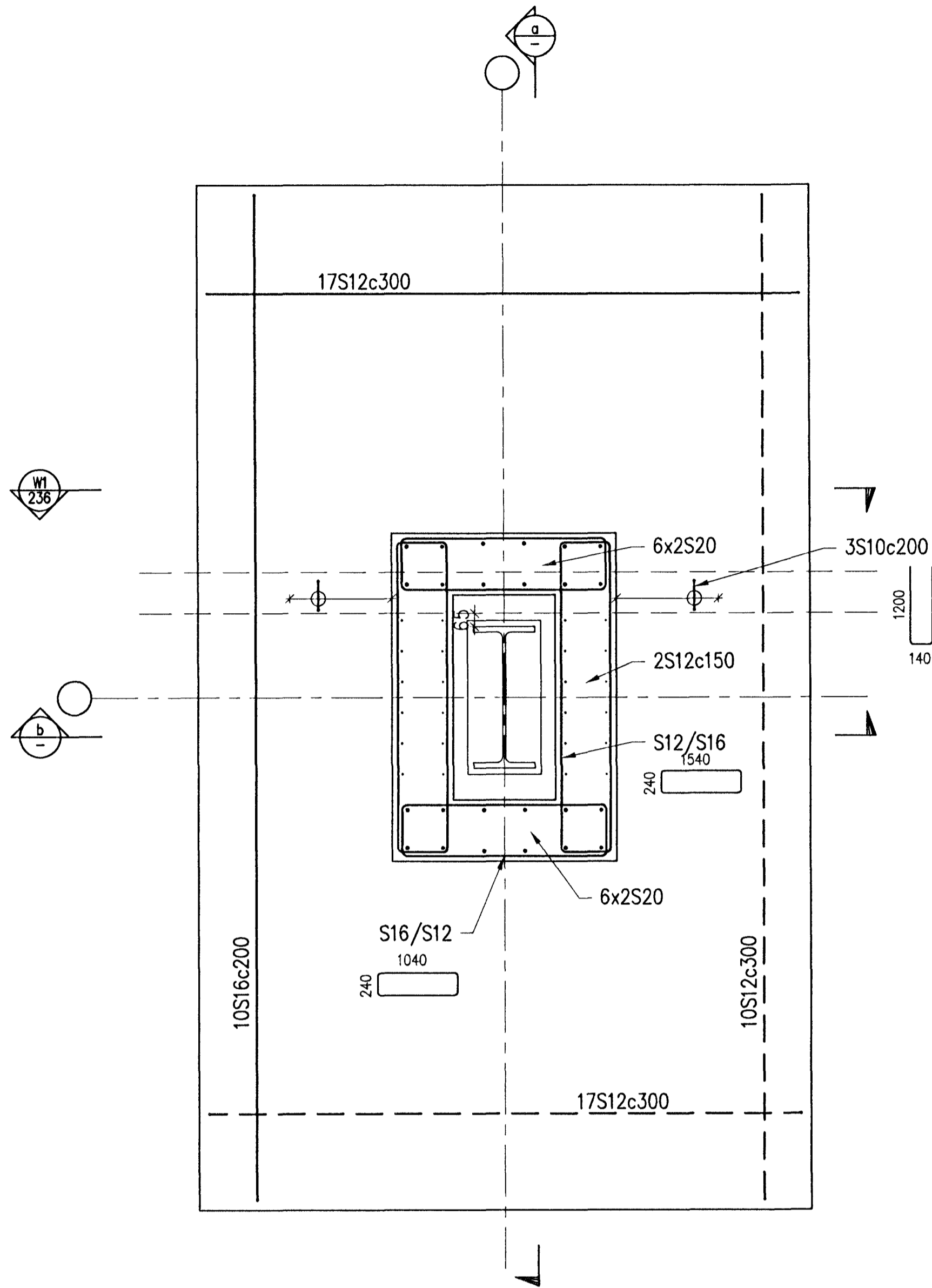


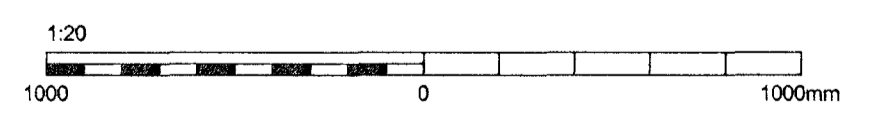
Samþykkt þann  
19 JAN 2011  
Byggingaáætlunin í Hafnarfirði  
Efn. Heiðar S. Gunnlaugsson

Nick Indriðason  
N1

FOUNDATION F3



CONCRETE: C30/37:XF3-38



Skýringar:  
Explanations:



This drawing is the property of the Rio Tinto Alcan Iceland Ltd. and handed out for personal use only. It may neither be copied nor made available to others without permission of the Rio Tinto Alcan Iceland Ltd. The receiver is liable for any misuse.

| Fjöldi stykja<br>Number of pieces | Hlutur<br>Object   | Atriði<br>Item | Efni<br>Material | ea.stk<br>Weight | totalt heild<br>Total | Athugasemdir<br>Remarks   |
|-----------------------------------|--|----------------|------------------|------------------|-----------------------|---|
| IV III II I                       | ICC<br>CASTHOUSE EXTENSION BUILDINGS<br>BUILDING 2, REINFORCEMENT<br>FOUNDATION F3 |                |                  |                  |                       | Stærð<br>Format<br>A1   |
|                                   |  |                |                  |                  |                       | Mkv.<br>Scale<br>1:20   |
|                                   |  |                |                  |                  |                       | AKS no.   |
|                                   |  |                |                  |                  |                       | Tökn. nr. vertaka / Dre.no. of supp./Bret./Rev.<br>ICC-611-CA-518-235 C                           |
|                                   |  |                |                  |                  |                       | Teknið<br>Drawn<br>GMG/LDB 2010.05.25   |
|                                   |  |                |                  |                  |                       | Yfirfarð<br>Checked<br>NI   |
|                                   |  |                |                  |                  |                       | Samþykkt<br>Approved<br>N1  |
|                                   |  |                |                  |                  |                       | Stærð<br>Scale<br>A1  |
|                                   |  |                |                  |                  |                       | Dre.no. of ISAL / Tekni nr. ISAL<br>Bret./Rev.<br>ISAL<br>Alcan Iceland Ltd<br>IS-222 Hafnarþorur |
|                                   |  |                |                  |                  |                       | Nokun heimild<br>Released   |