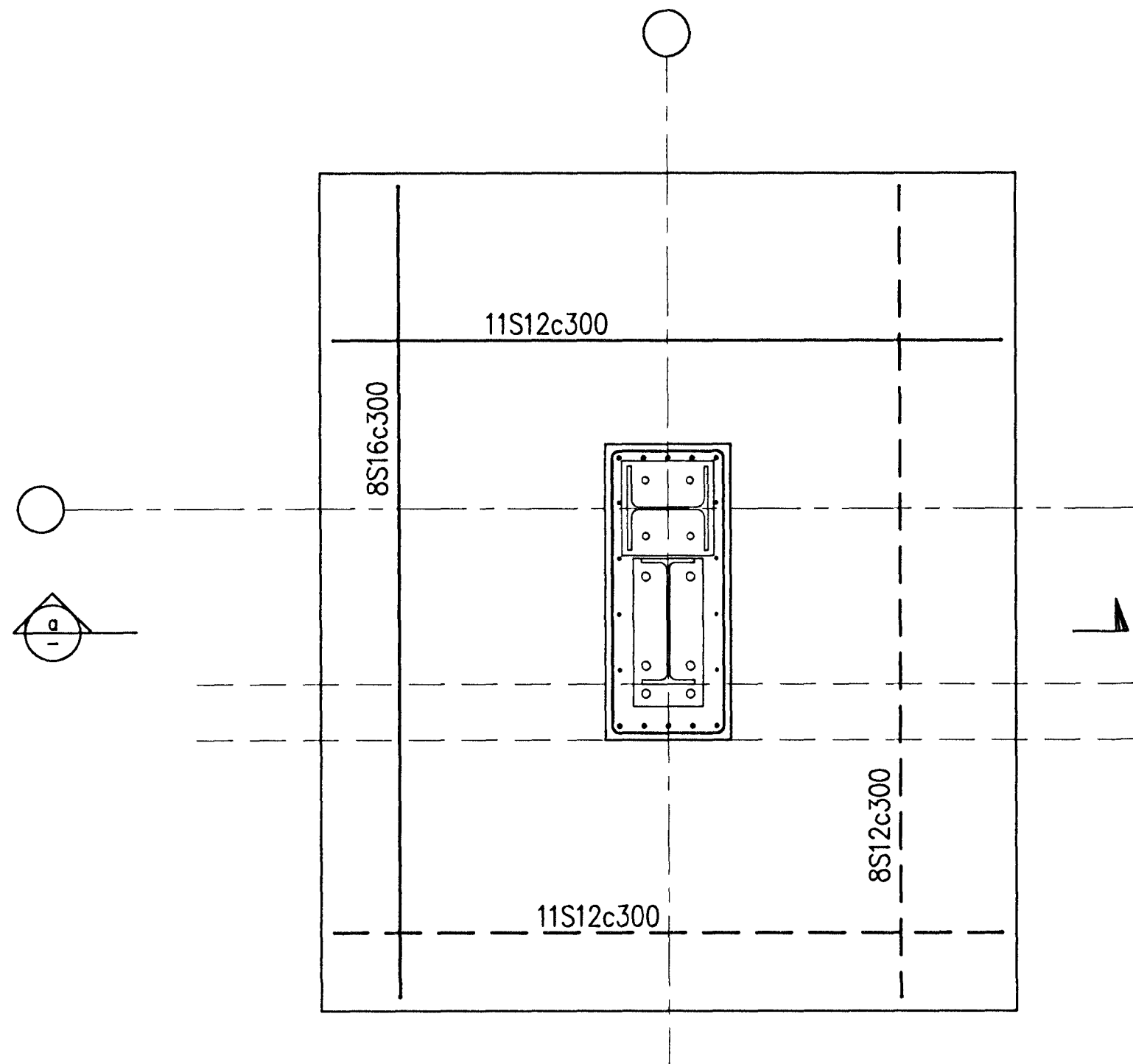
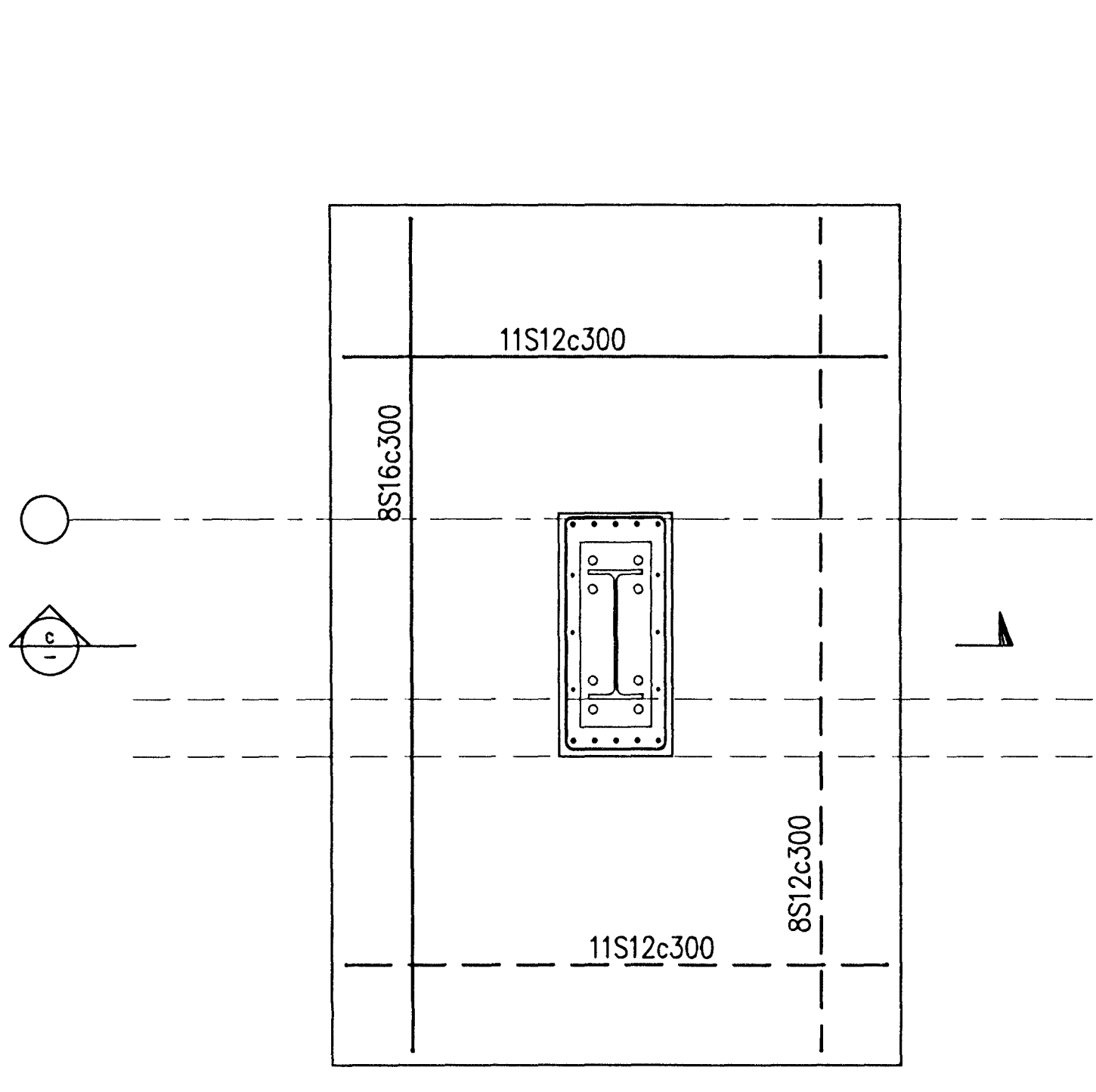


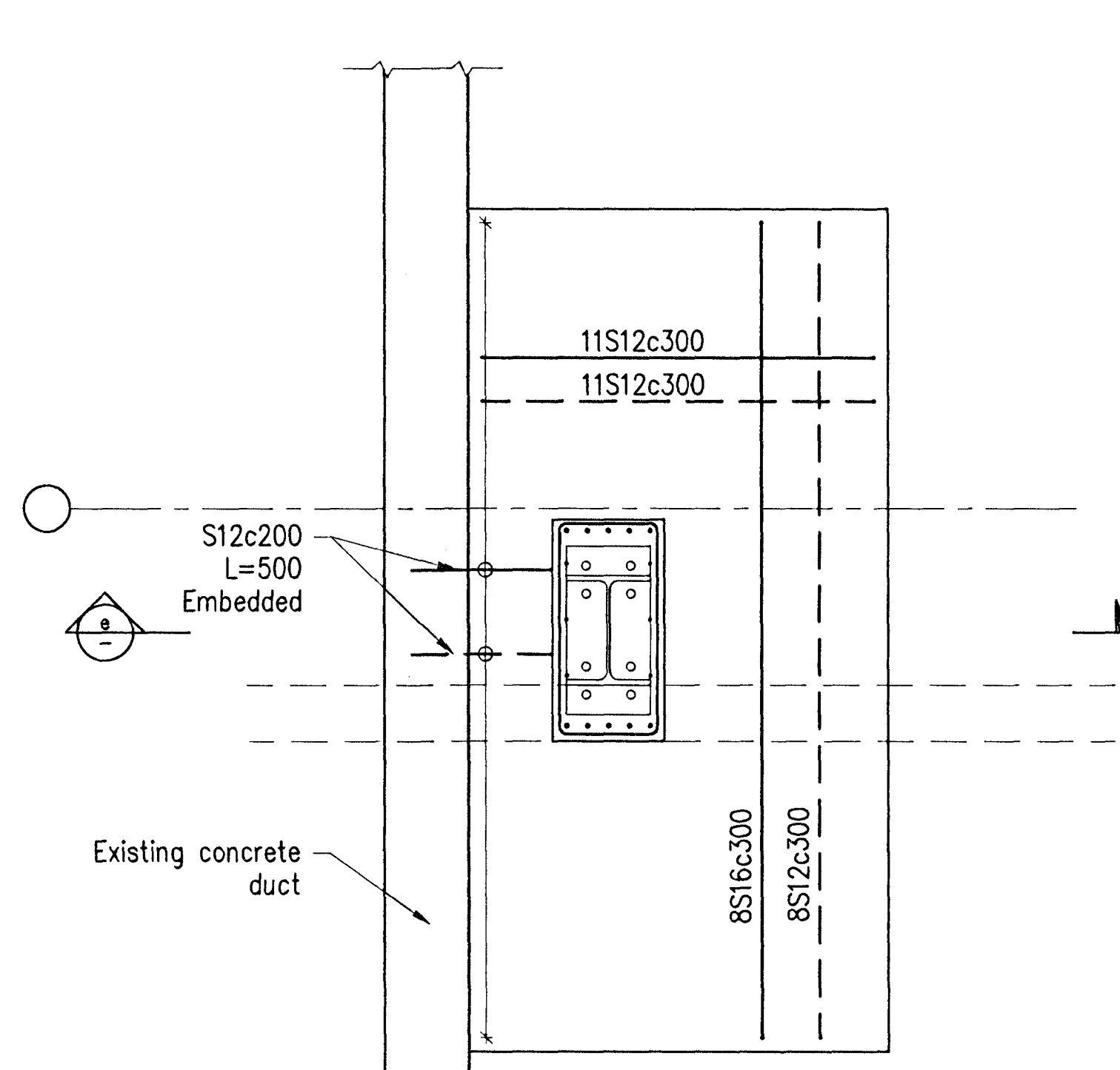
FOUNDATION F4



FOUNDATION F5

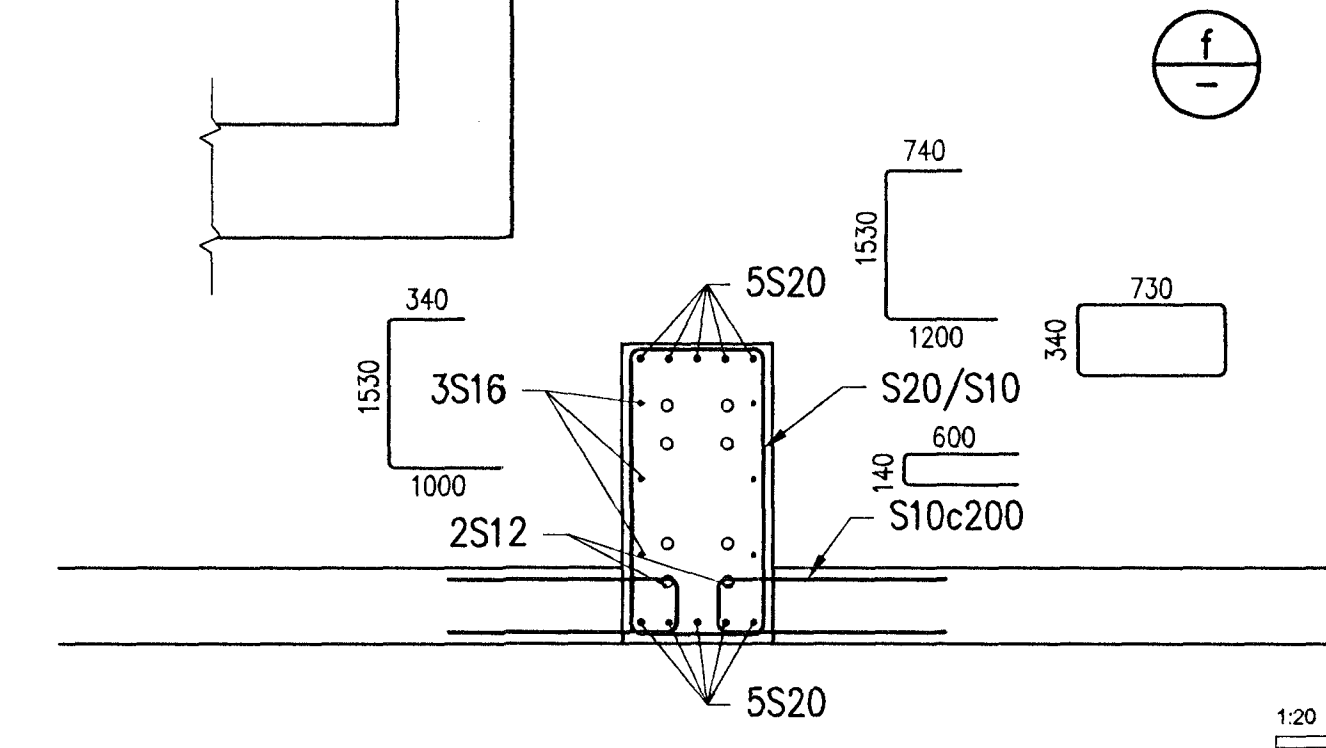
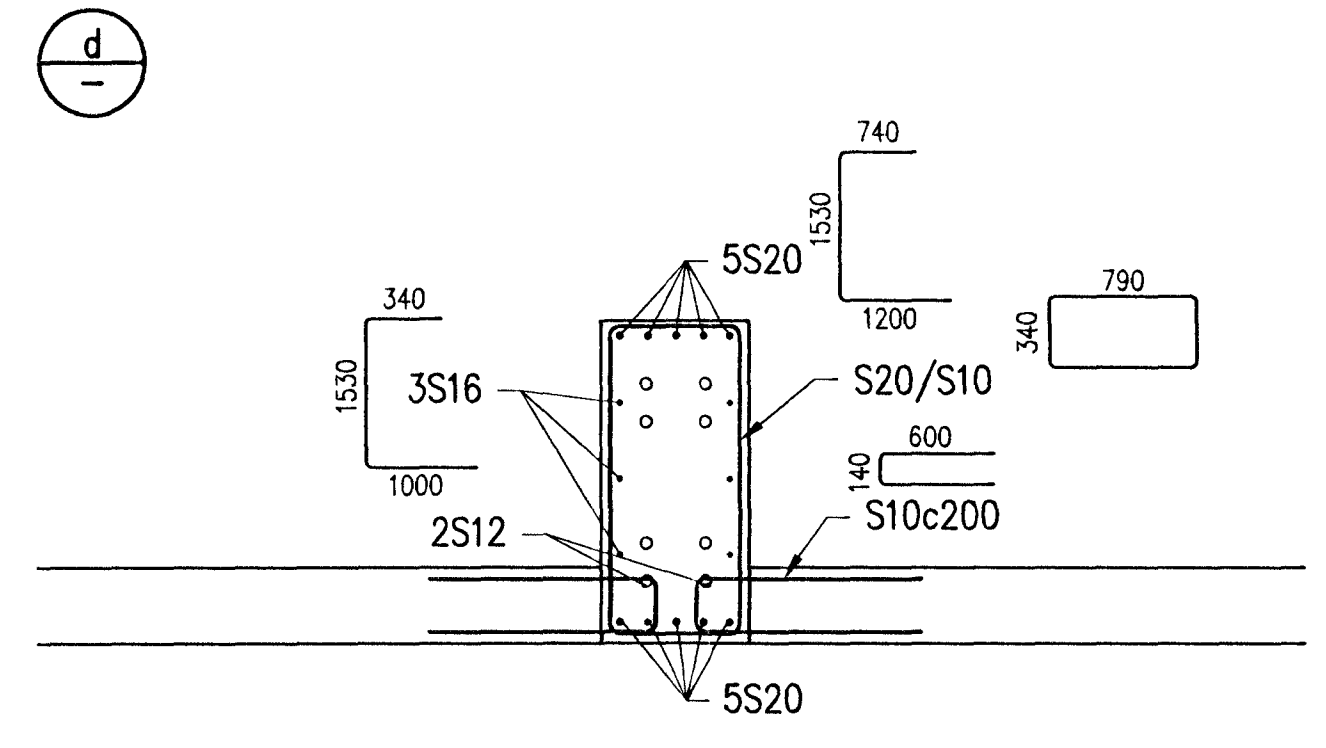
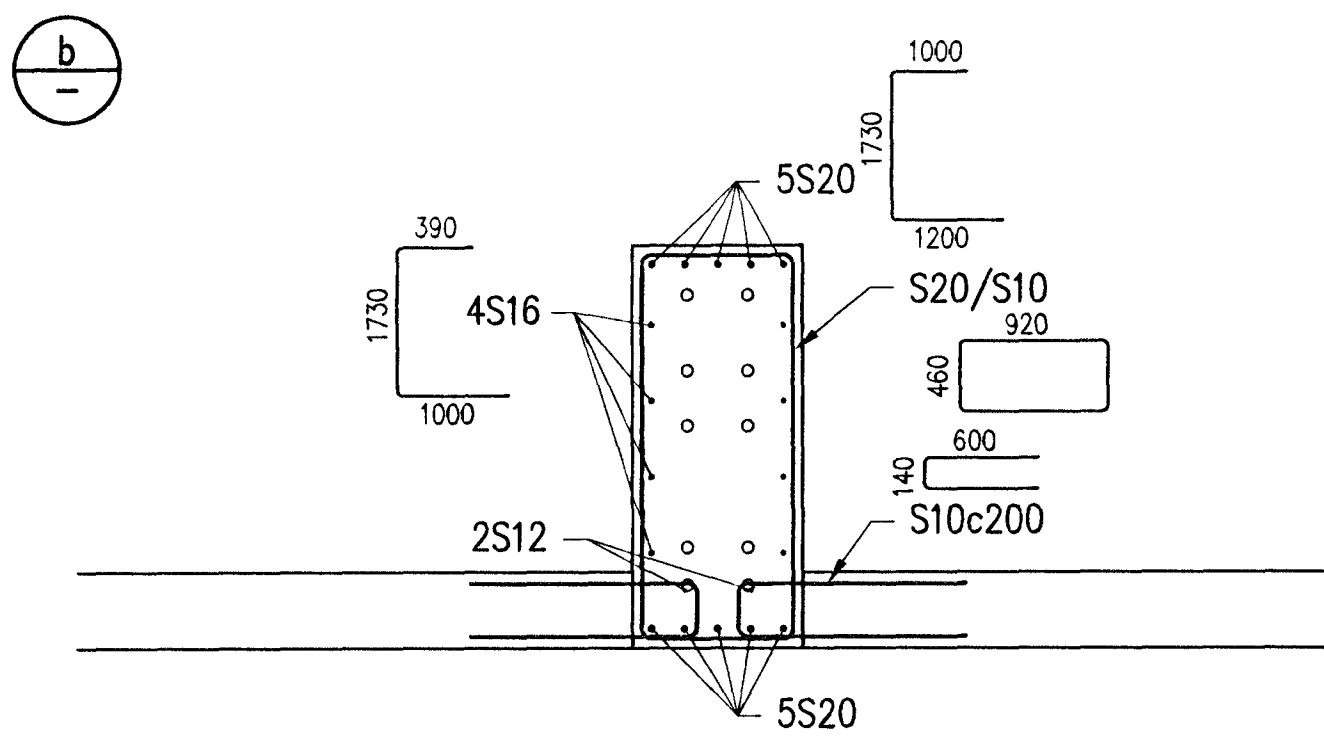
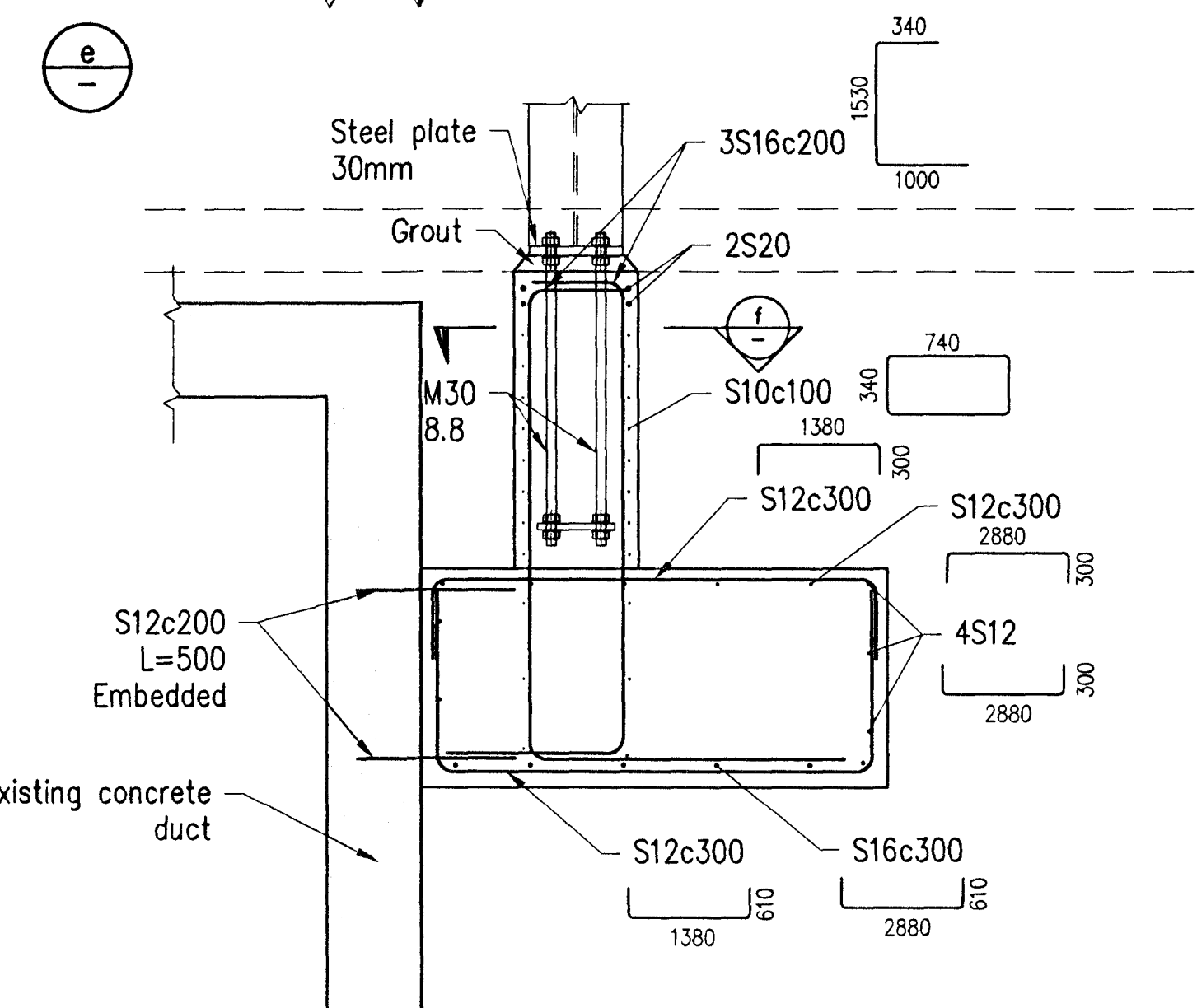
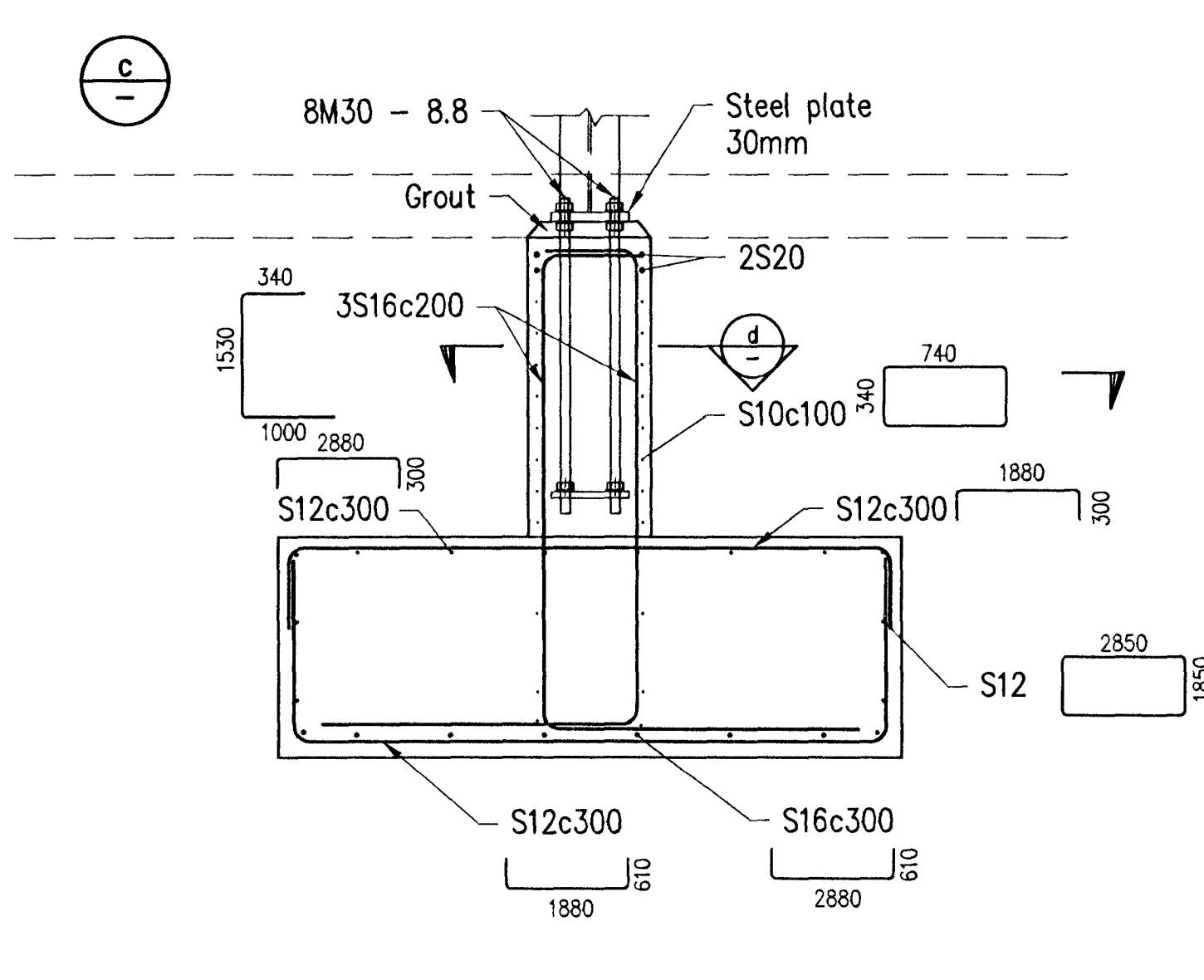
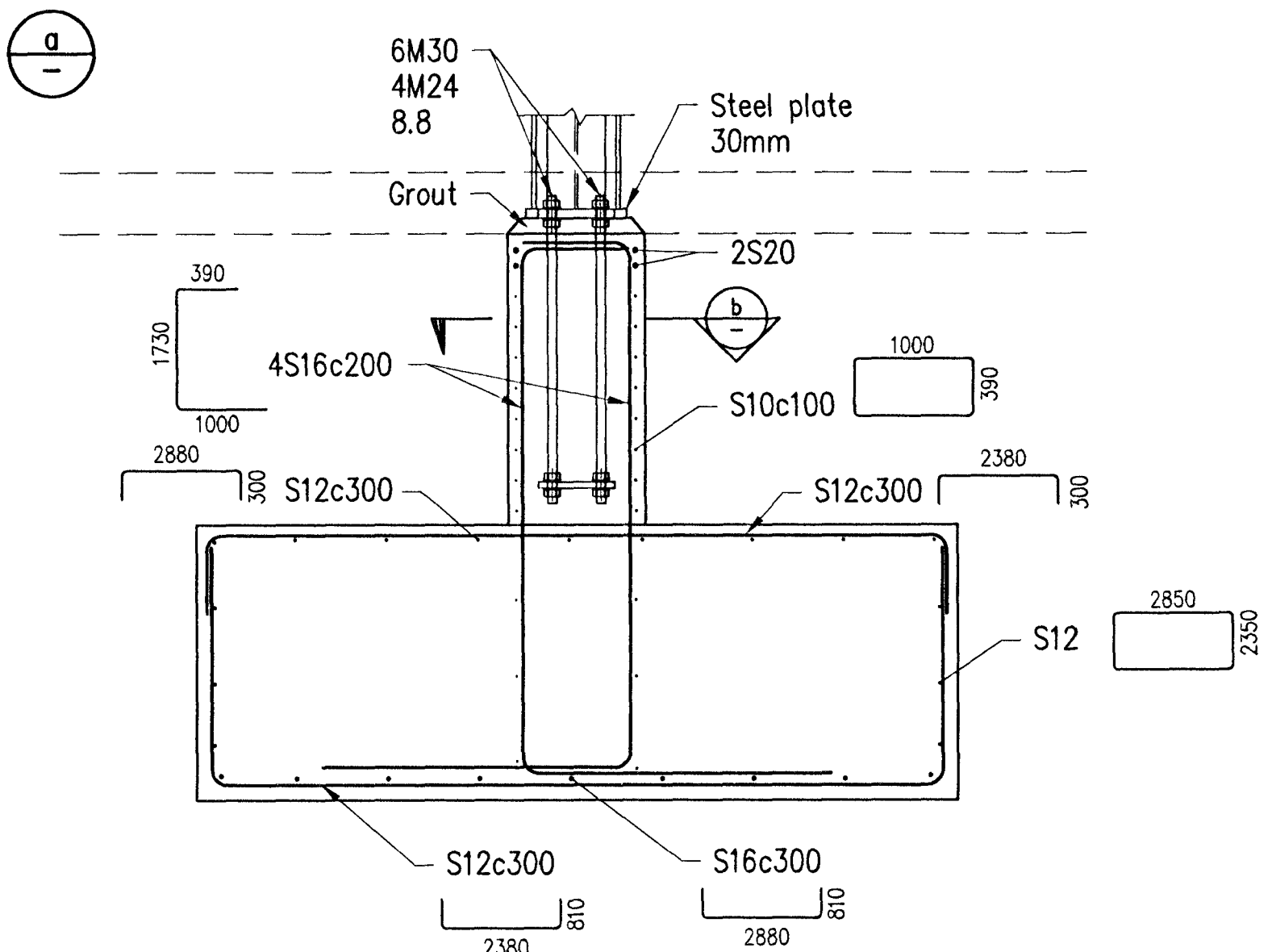


FOUNDATION F5b

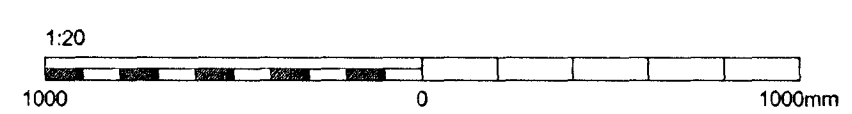


Samþykkt þann  
19 JAN 2011  
Byggingarástjórnir í Hafnarfríð  
F.h. Heiðar S. Gunnlaugsson

Níel Indriðsson  
NI



CONCRETE: C30/37:XF3-38



Skýringar:  
Explanations:



This drawing is the property of the Rio Tinto Alcan Iceland Ltd. and handed out for personal use only. It may neither be copied nor made available to others without permission of the Rio Tinto Alcan Iceland Ltd. The receiver is liable for any misuse.

Fjöldi stúkkja Number of pieces	Mytur Object	Alit Item	Efni Material	eo.alk (kg) byggd	Ítalátt Total weight	Althugasemdir Remarks
IV III II I	ICC CASTHOUSE EXTENSION BUILDINGS BUILDING 2, REINFORCEMENT FOUNDATIONS F4, F5 AND F5b	HRV	ISAL		1:20	
3	Issued for construction	10.11.24	Kjop			
	Breyt. Rev.	Breyting Revision	Dags. Date	Samþ. Approved	Notk. heimt. Released	
	Thy. teikningar nr. ISAL Ref. drawing no. of ISAL	Samsetn. teikningar nr. ISAL Assembly drawing no. of ISAL				