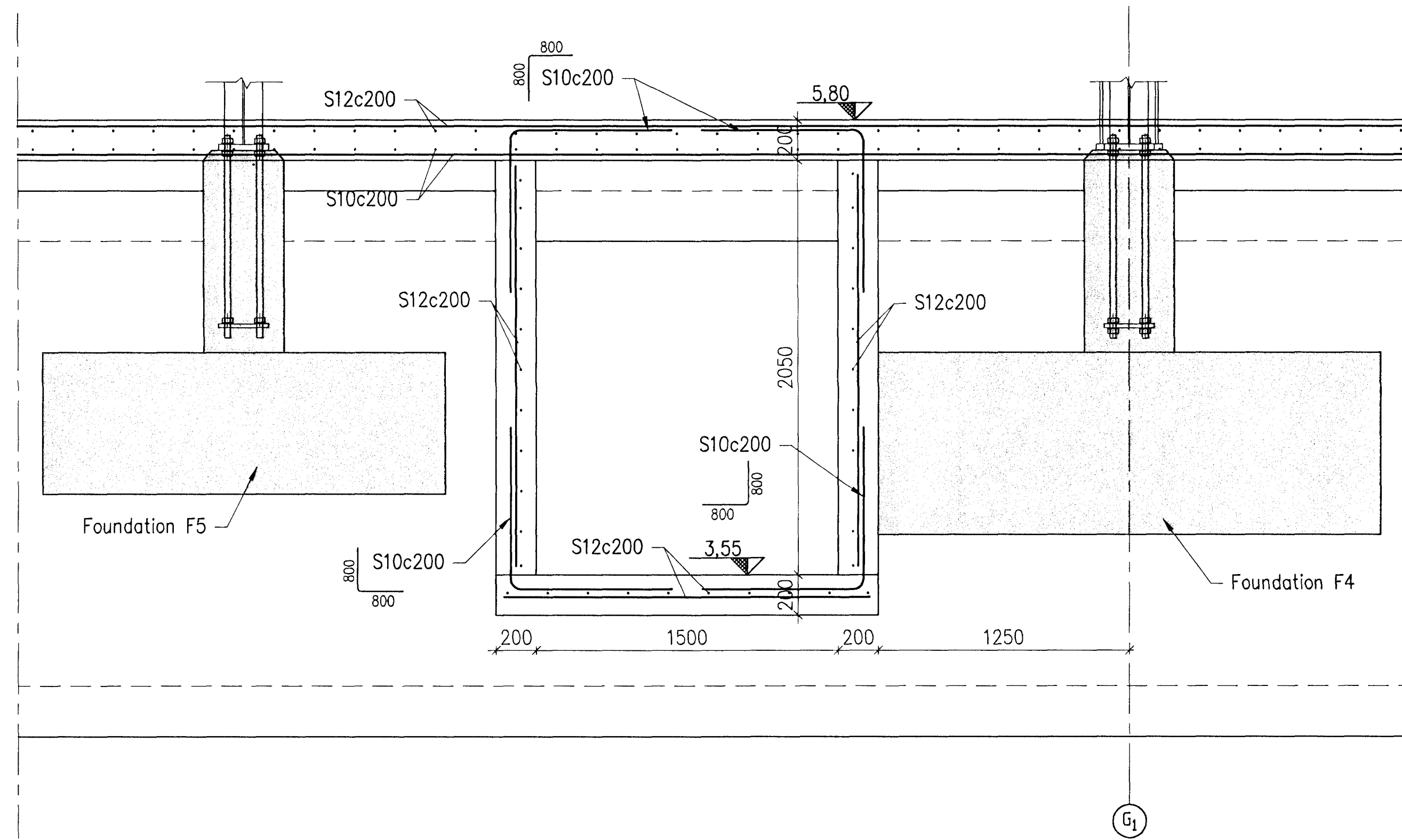


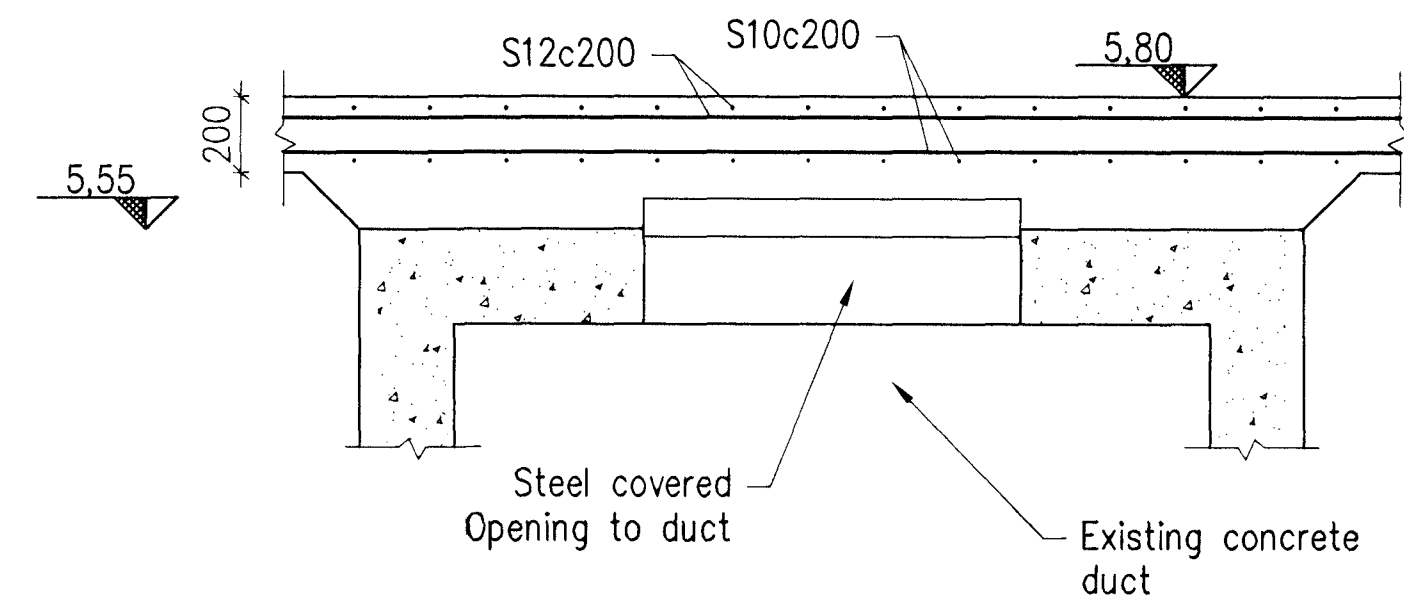
Samþykkt þann  
19 JAN 2011  
Byggingarvinnunni / Hálfarfródi  
F.h. Hrólfur S. Gunnlaugsson

Níel Indriðsson  
NI

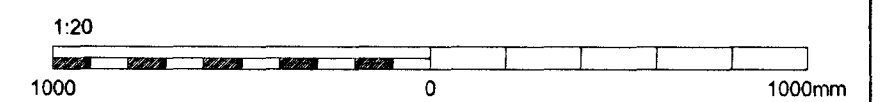
2 SECTION  
242



3 SECTION  
242



CONCRETE: C30/37:XF3-38



Skýringar:  
Explanations:



This drawing is the property of the Rio Tinto Alcan Iceland Ltd and handed out for personal use only. It may neither be copied nor made available to others without permission of the Rio Tinto Alcan Iceland Ltd. The receiver is liable for any misuse.

Fjöldi stykka Number of pieces	Hlutur Object	Atriði Item	Efni Material	ea. stk Weight	Totalt fj. heild (kg) byggt	Athugasemdir Remarks
IV III II I	ICC CASTHOUSE EXTENSION BUILDINGS BUILDING 2 REINFORCEMENT, SECTIONS 1/2					Starð Format A1 Mkv. Scale 1:20 Kostn.nr.-búnr. / CCno.-Eq.no.
	Teknað / Drawn	HRV	Yfirfarið / Checked	NI		Teknað / Drawn: HS/GMG 2010.11.01 Sambýkt / Approved: NI
	RioTinto Alcan		Stráur / Rebar Alcan Iceland Ltd IS 222 Hæðargættur			ISAL Dr.no. of ISAL / Tekn.nr. ISAL Brot./Rev
	Teknað / Drawn		Yfirfarið og stjóð / Checked and Released			Nokun / Released

2	issued for construction	10.11.24	Kgp		
Breyt. Rev.	Breyting Revision	Daga Date	Samþ. Approved	Nokk. heimil. Released	
Tilv. teikningar nr. ISAL Ref. drawing no. of ISAL		Samsetn. teikningar nr. ISAL Assembly drawing no. of ISAL			