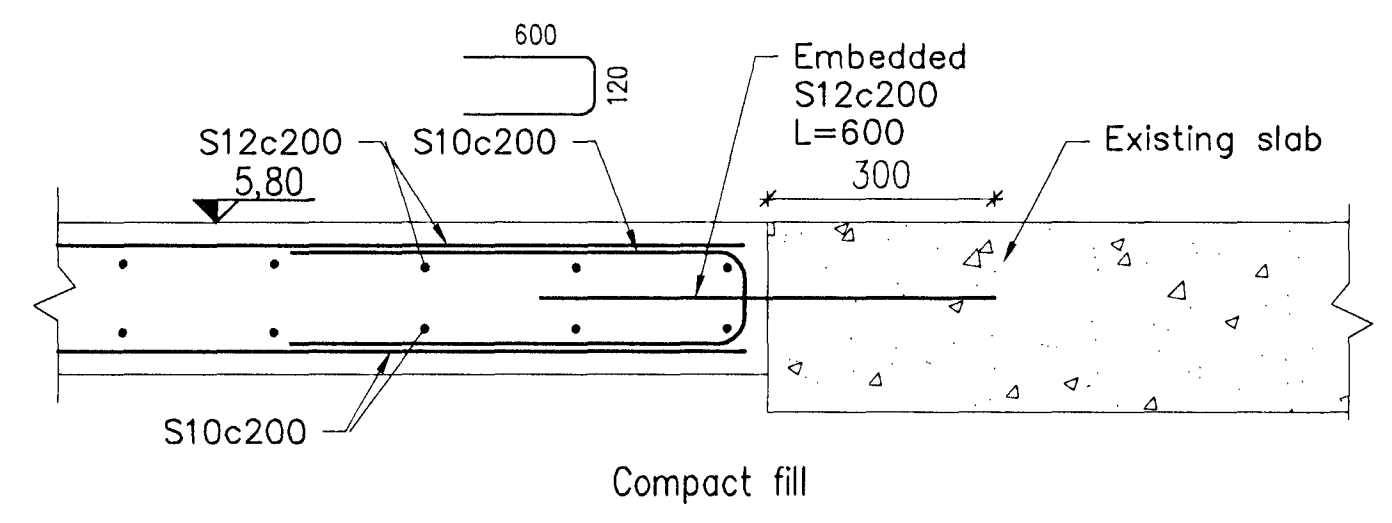


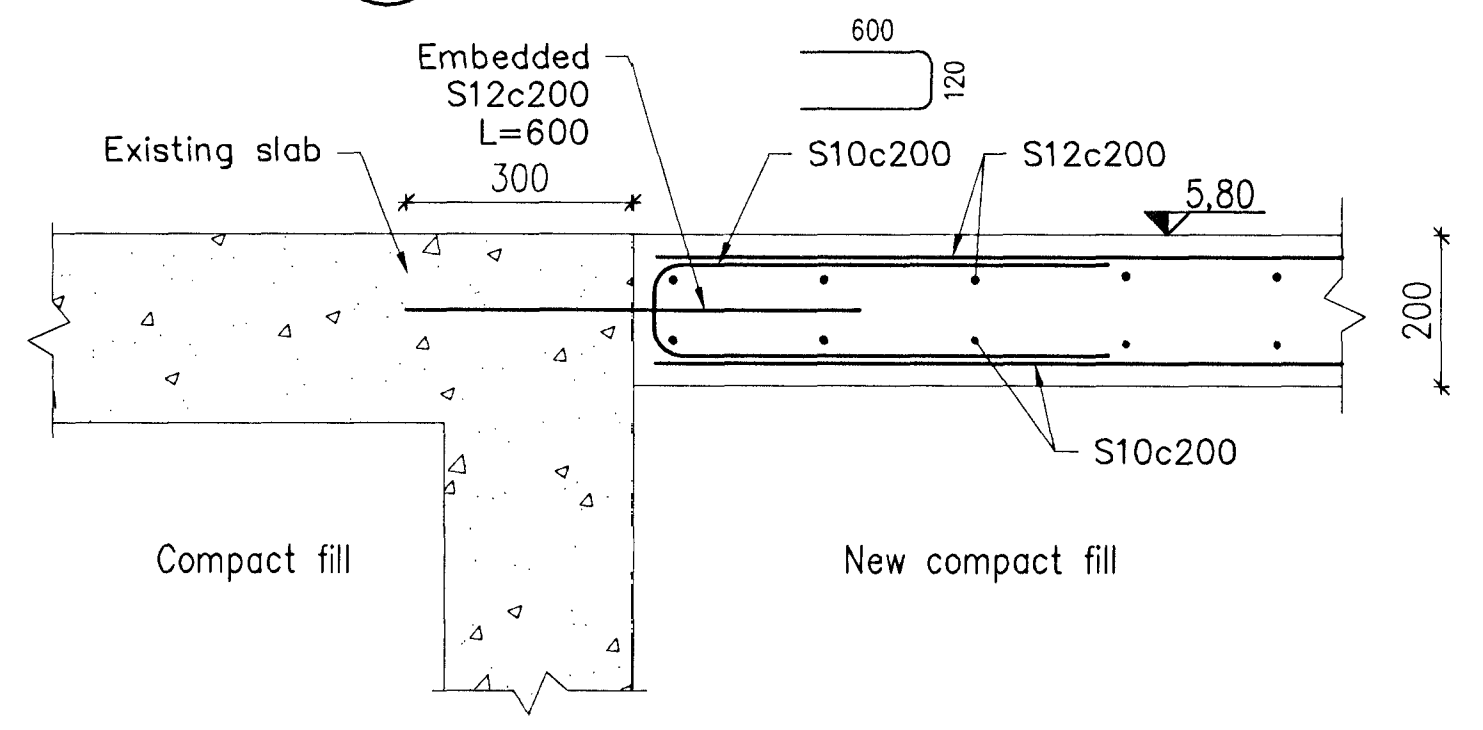
Samþykkt bann
19 JAN 2011
Byggingarstjórnun / Hafnarfróði
F.h. Fróðvísar S. Gunnlaugsson

Níels Indriðsson
NI

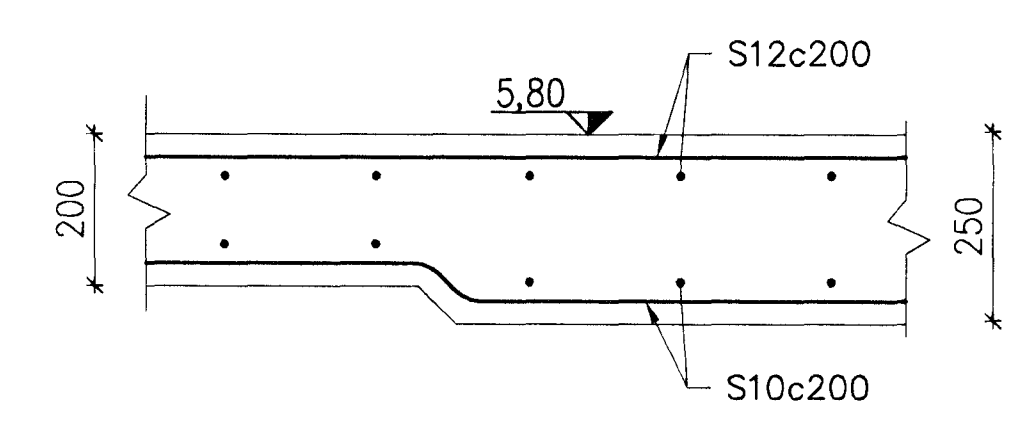
4 SECTION
242 1:10



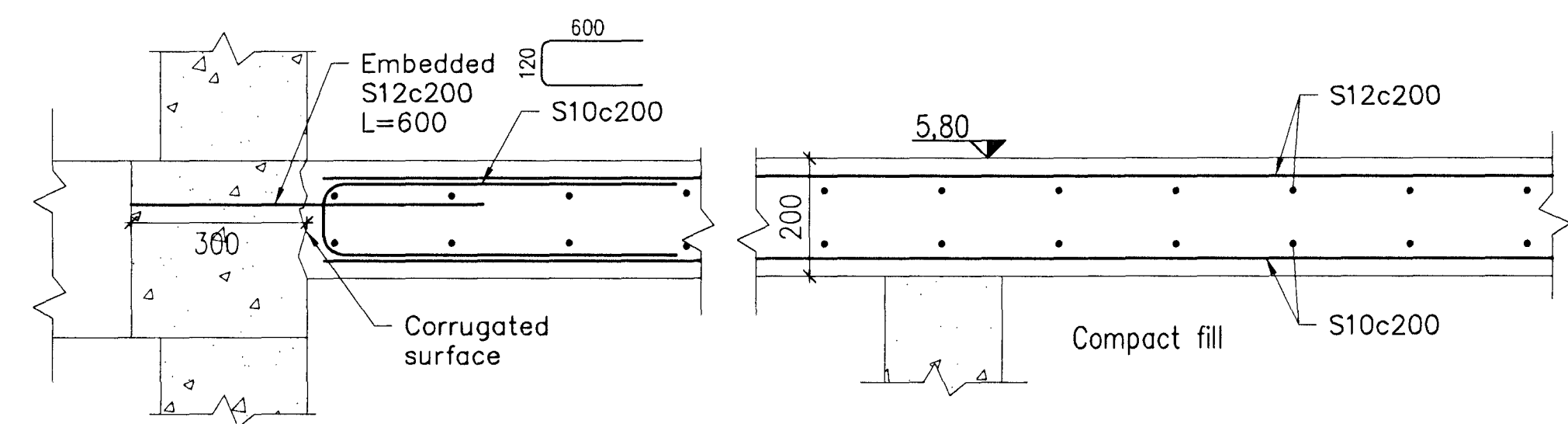
6 SECTION
246 1:10



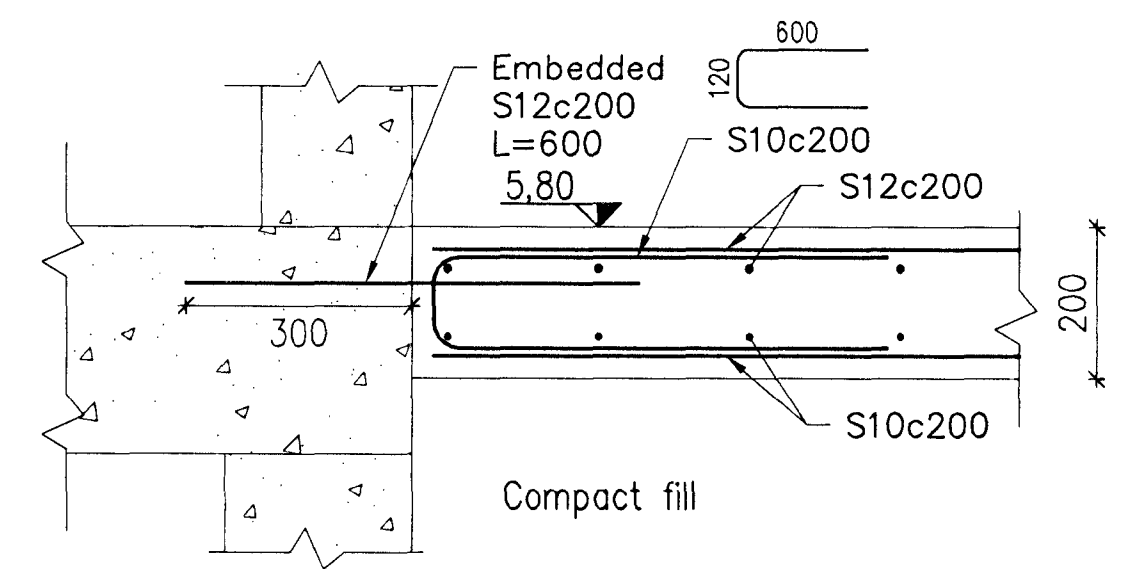
8 SECTION
247 1:10



5 SECTION
247 1:10



7 SECTION
247 1:10



CONCRETE: C30/37:XF3-38



Skýringar:
Explanations:



This drawing is the property of the Rio Tinto Alcan Iceland Ltd. and handed out for personal use only. It may neither be copied nor made available to others without permission of the Rio Tinto Alcan Iceland Ltd. The receiver is liable for any misuse.

Fjöldi stúkkja	Hlutur	Atviki	Efni	ea. stk	Totalt held	Athugasemdir
Number of pieces	Object	Item	Material	Weight	(kg) bygd	Remarks
IV III II I	ICC					1:10
	CASTHOUSE EXTENSION BUILDINGS					
	BUILDING 2, REINFORCEMENT					
	SECTIONS 2/2					
	Verktali / Supplier	HRV				Tekn.nr. verks / Drw.no. of supp. Breyt./Rev. ICC-611-CA-518-249 C
	Teknað / Drawn	HS/GMG	2010.11.01	Yfirgafið / Checked	NI	Samþykkt / Approved NI
	RioTintoAlcan					Drw.no. of ISAL / Tekn.nr. ISAL Breyt./Rev.
	Teknað / Drawn			Yfirgafið og gætt / Checked and Recd		Notkun heimild / Released

Breyt. / Rev.	Breyting / Revision	Dagur / Date	Samb. / Approved	Notk. heimil. / Released
2	Issued for construction	10.11.24	Kjpp	
	Tilteknningar nr. ISAL / Ref.drawing no. of ISAL		Samsetn. teikningar nr. ISAL / Assembly drawing no. of ISAL	