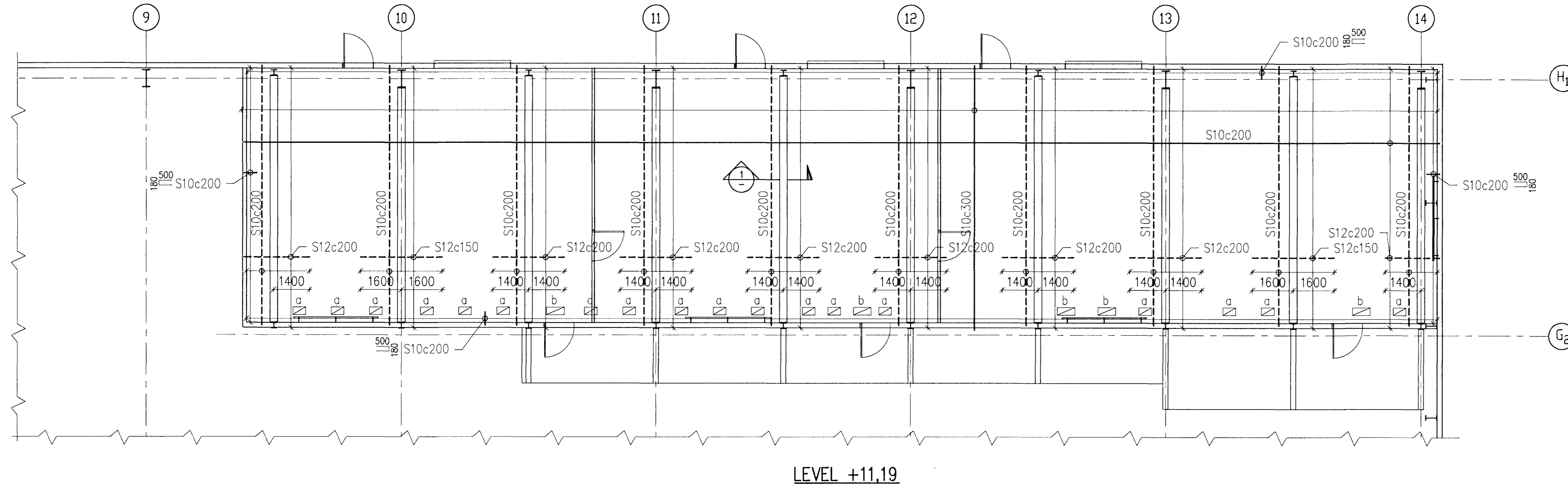
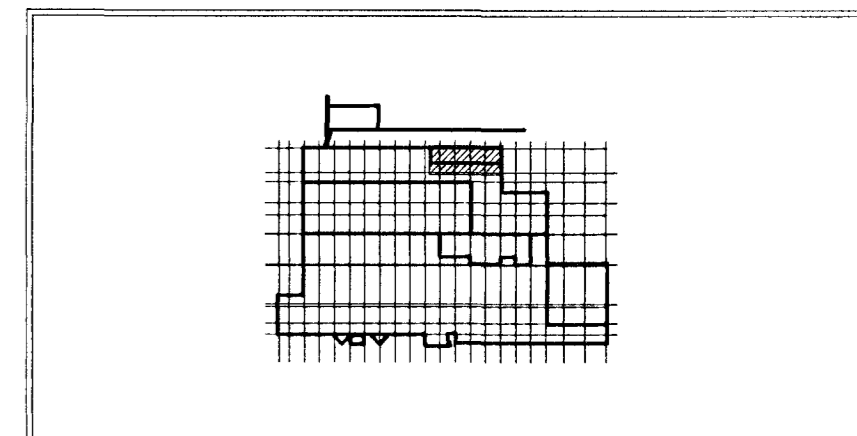
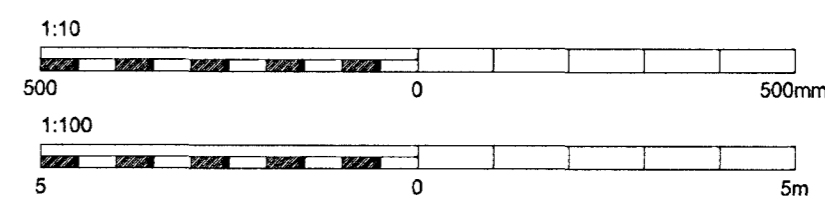
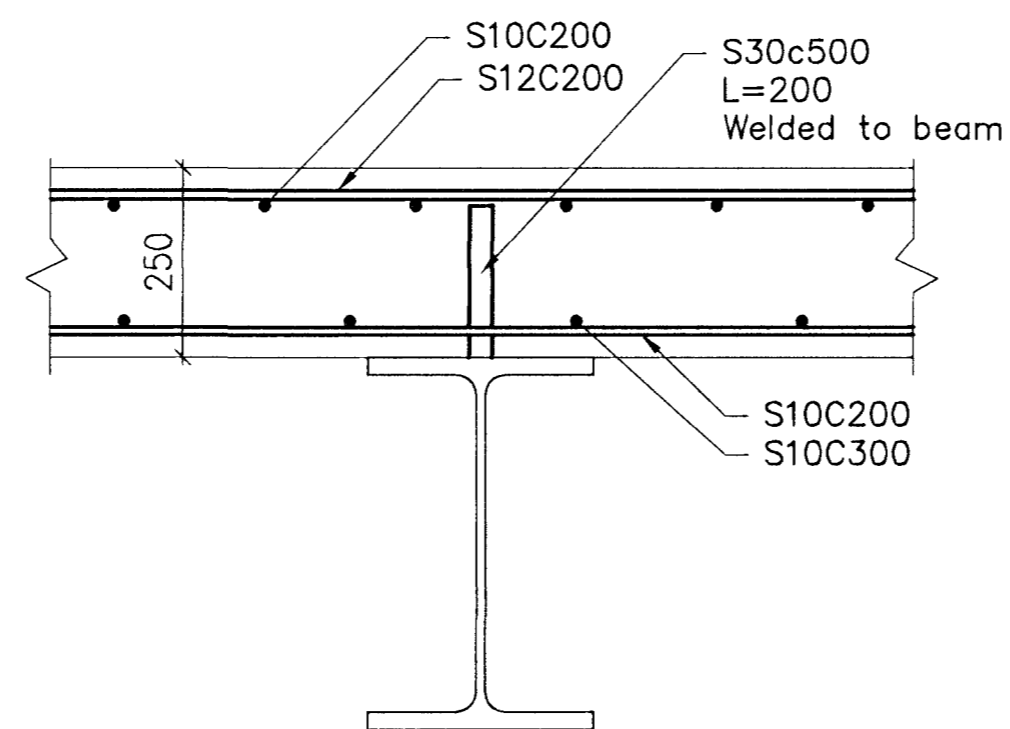


Níel Indriðason
NI



LEVEL +11.19

1 SECTION
1:10



ICC Casthouse Keyplan - Scale: 1:5000

Skýringar:
Explanations:



This drawing is the property of the Rio Tinto Alcan Iceland Ltd. and handed out for personal use only. It may neither be copied nor made available to others without permission of the Rio Tinto Alcan Iceland Ltd. the receiver is liable for any misuse.

Fjöldi stykkja Number of pieces	Hlutur Object	Atriði Item	Efni Material	sg:stik Weight (kg) bygnd	total: f. heild Scale	Althugsamerki Remarks
IV III II I	ICC CASTHOUSE EXTENSION BUILDINGS SUBSTATION 5B, REINFORCEMENT SLAB AT LEVEL +11,19				A1 1:10/100	Stærð Format Kostnaður-Bætt. / CCna-Eq.no.
		HRV				Tekn. nr. verðka / Drawn of suppl./Bret./Rev. AKS no. ICC-611-CA-518-301 1
	Teknað Drawn	HJH/AFV 2010.05.28	Yfirfarið Checked	NI	Samþykkt Approved	NI
	Teknað Drawn		Yfirfarið og þekkt Checked and filed		Notkun heimil Released	