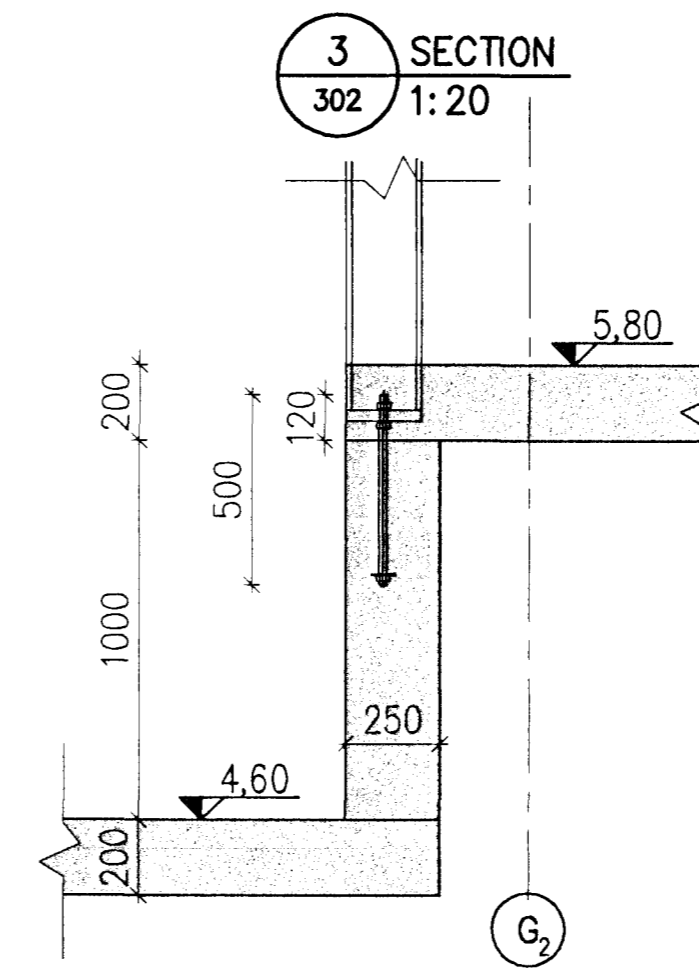
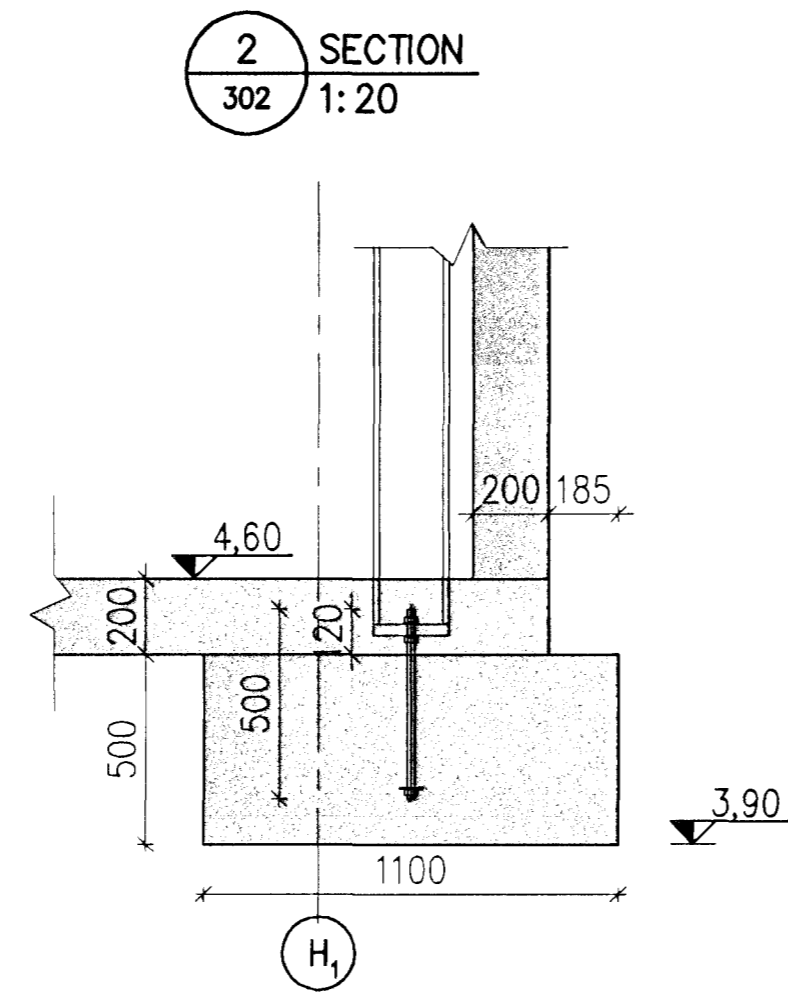
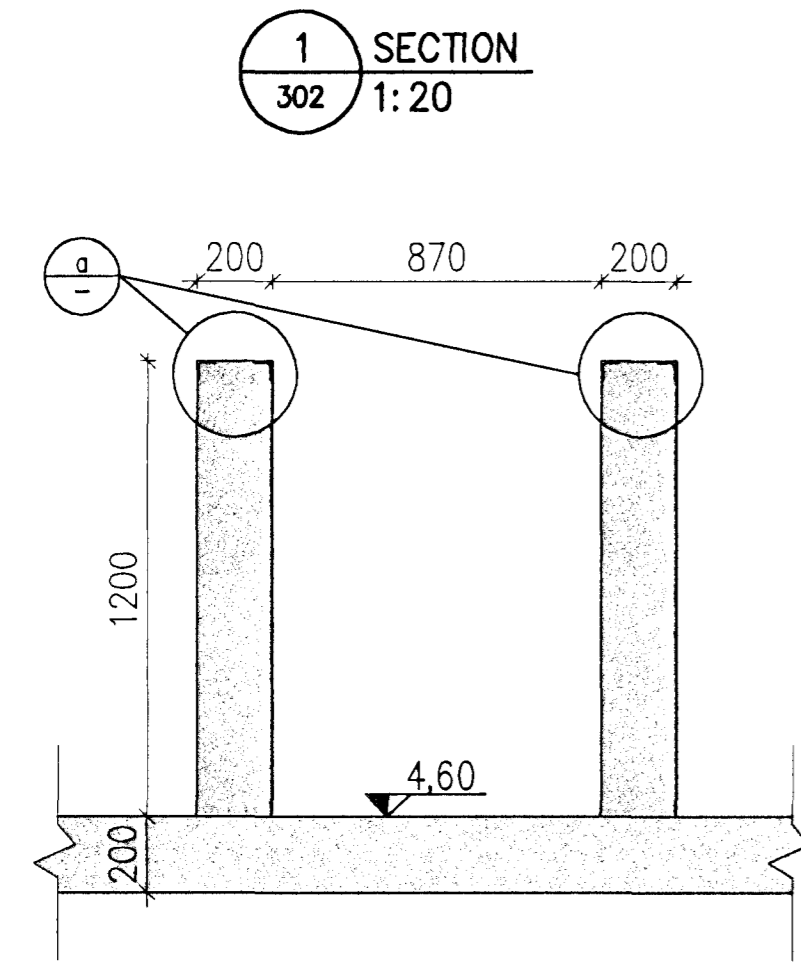
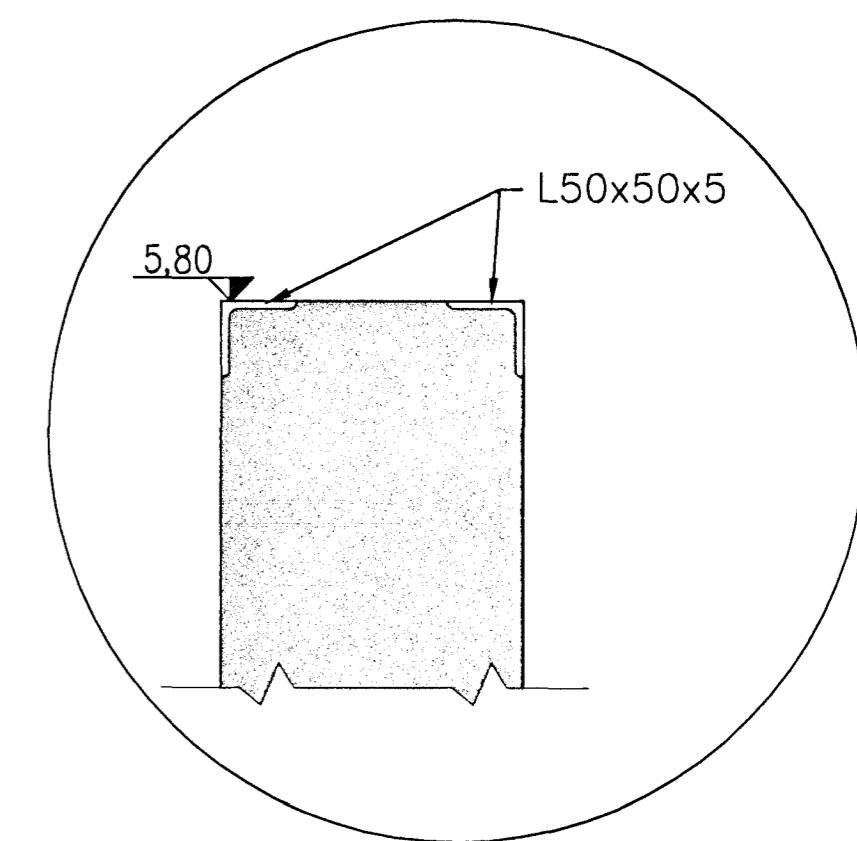


Sampykkt þann  
19 JAN 2011  
Byggingarástjórnir í Hafnarfirði  
F.h. Hörfur S. Gunnlaugsson

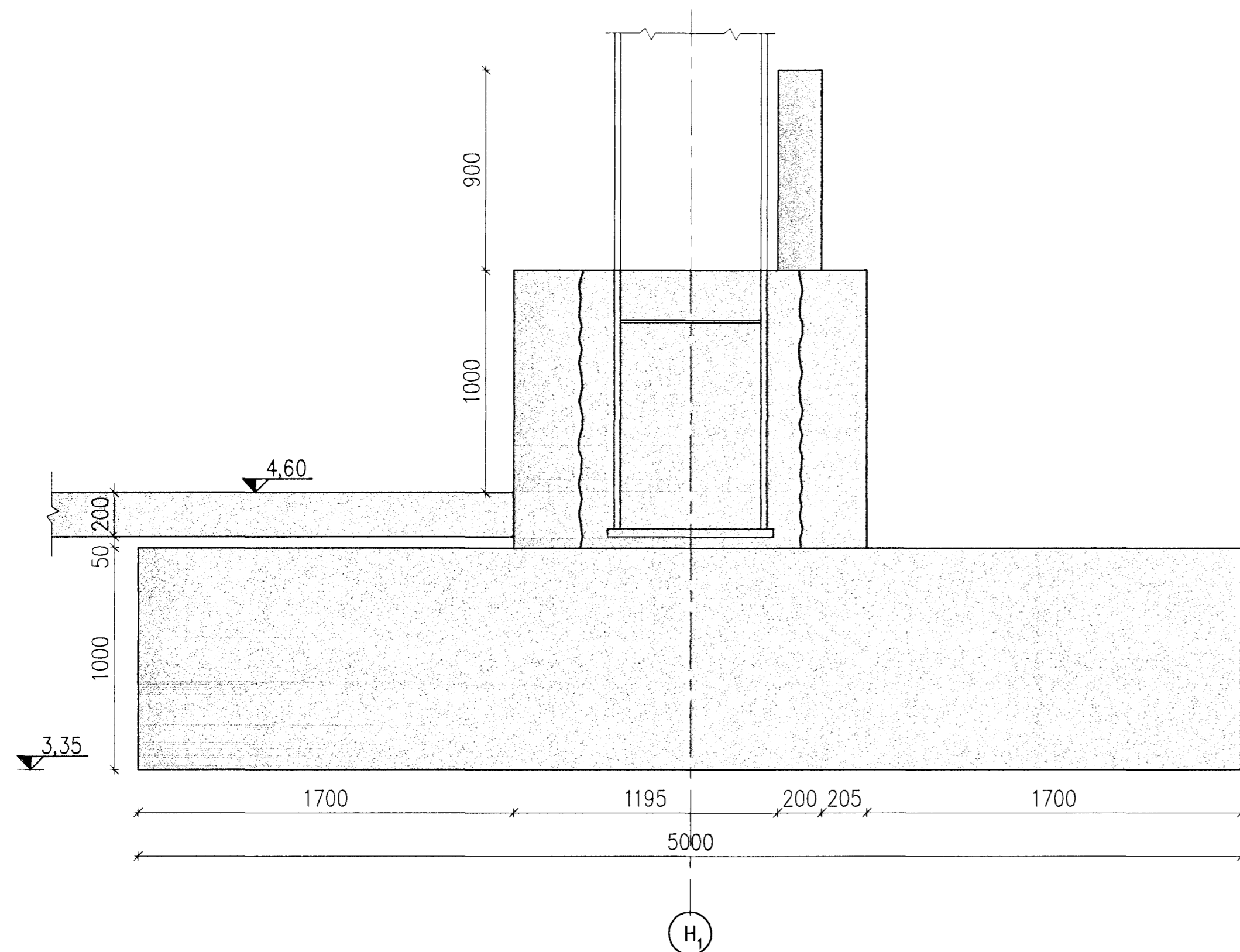
Níel Indriðsson  
NI



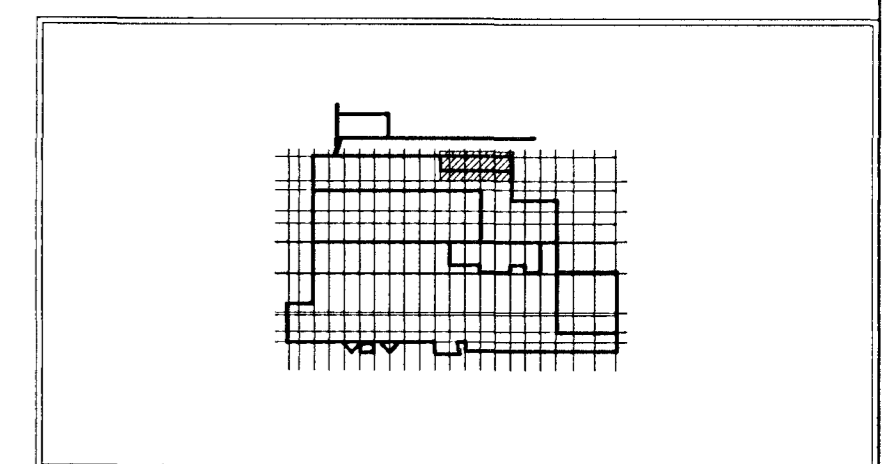
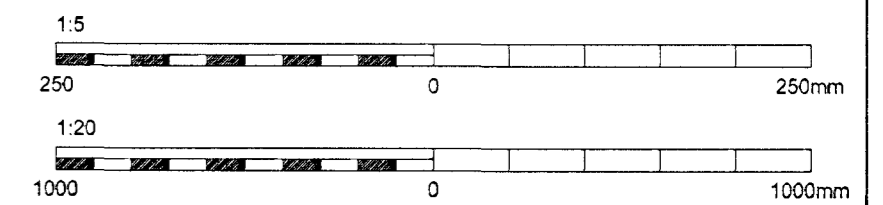
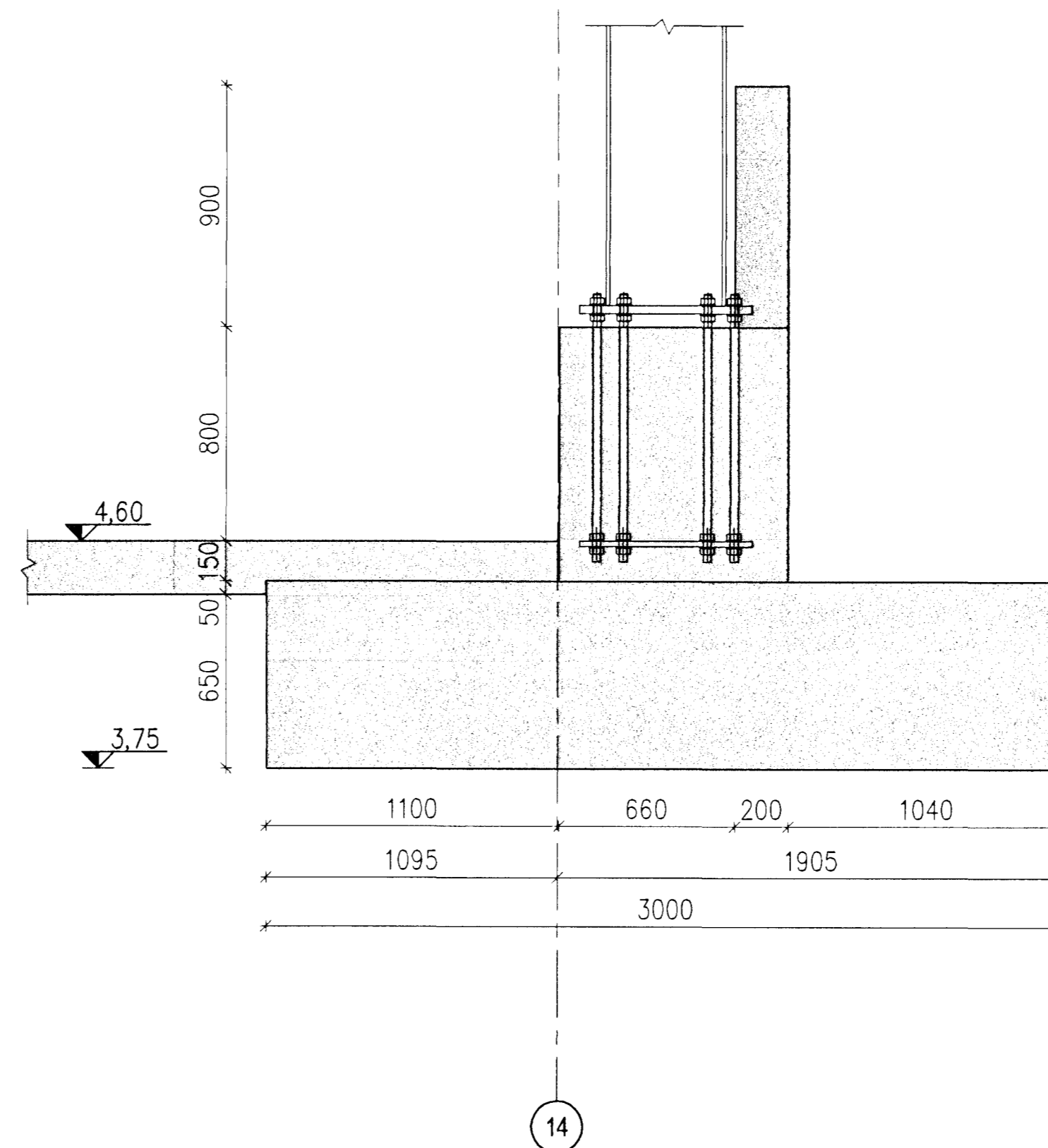
a  
DETAIL  
1:5



4 SECTION  
302 1:20



5 SECTION  
302 1:20



ICC Casthouse Keyplan - Scale: 1:5000

Skýringar:  
Explanations:

HOME  
International

HRV  
ENGINEERING

This drawing is the property of the Rio Tinto Alcan Iceland Ltd. and handed out for personal use only. It may neither be copied nor made available to others without permission of the Rio Tinto Alcan Iceland Ltd. The receiver is liable for any misuse.

Breyt. Rev.	Breyting Revision	Dags. Date	Samþ. Approved	Nösk. heiml. Released
1	Issued for construction	10.11.24	Kjpp	

Fjöldi stúkkja Number of pieces	Hlutur Object	Afná Item	Efni Material	eo. stik Weight (kg)	total f. heilo total weight	Alþugasemdir Remarks
IV III II I	ICC CASTHOUSE EXTENSION BUILDINGS SUBSTATION 58, FORM WORK WALLS AND FOUNDATIONS, SECTIONS					
	Vertikal / Supplier	HRV				Tekun. vertika / Drawn of suppl. Breyt./Rev. ICC-611-CA-518-303 C
	Teknað Drawn	GMG	2010.11.24	Yfirfarið Checked	NI	Sambýkkt Approved / NI /
	Teknað Drawn			Yfirfarið og skráð Checked and filed		Nöskun heimilð Released