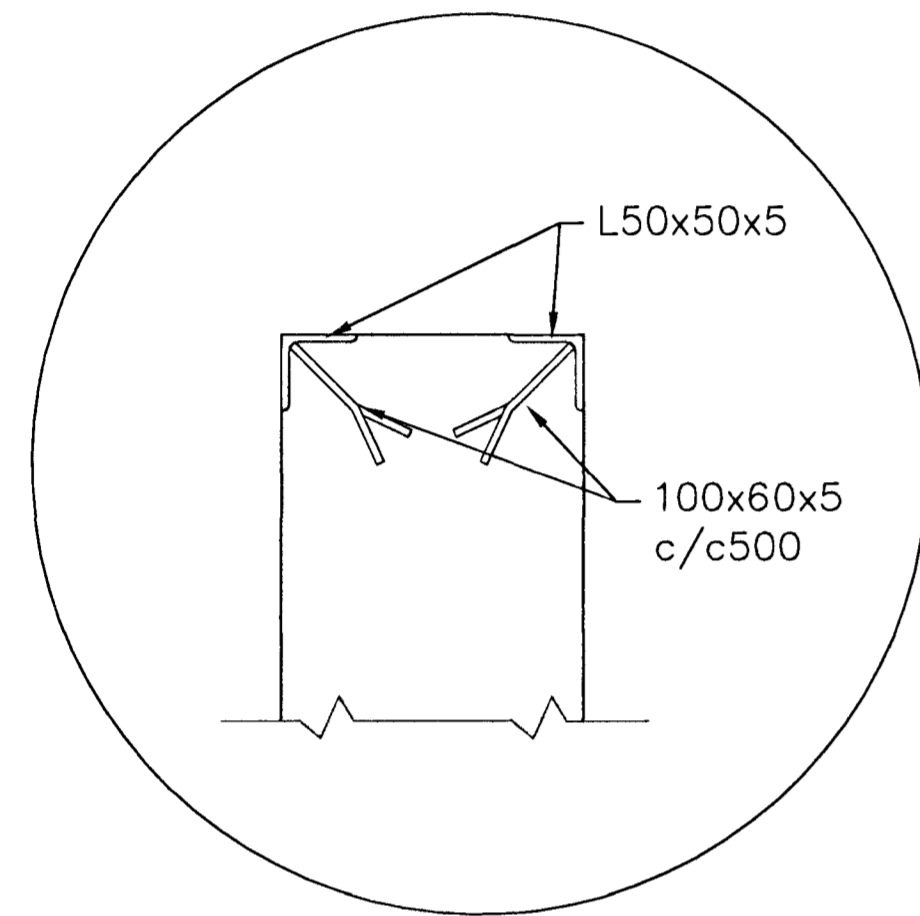


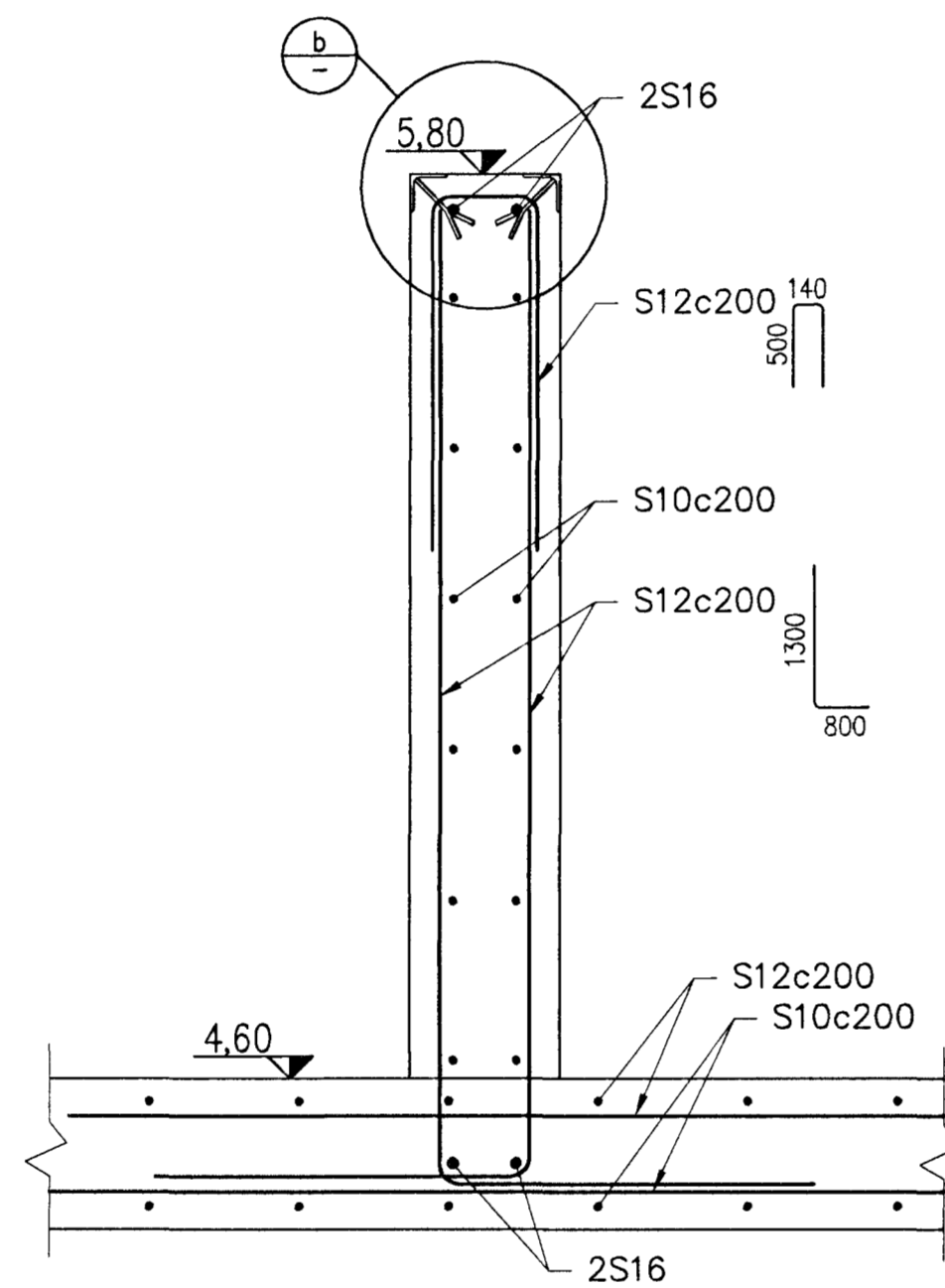
Samþykkt þann
19 JAN 2011
Gunnlaugsson

Nick Indriðsson
1/1

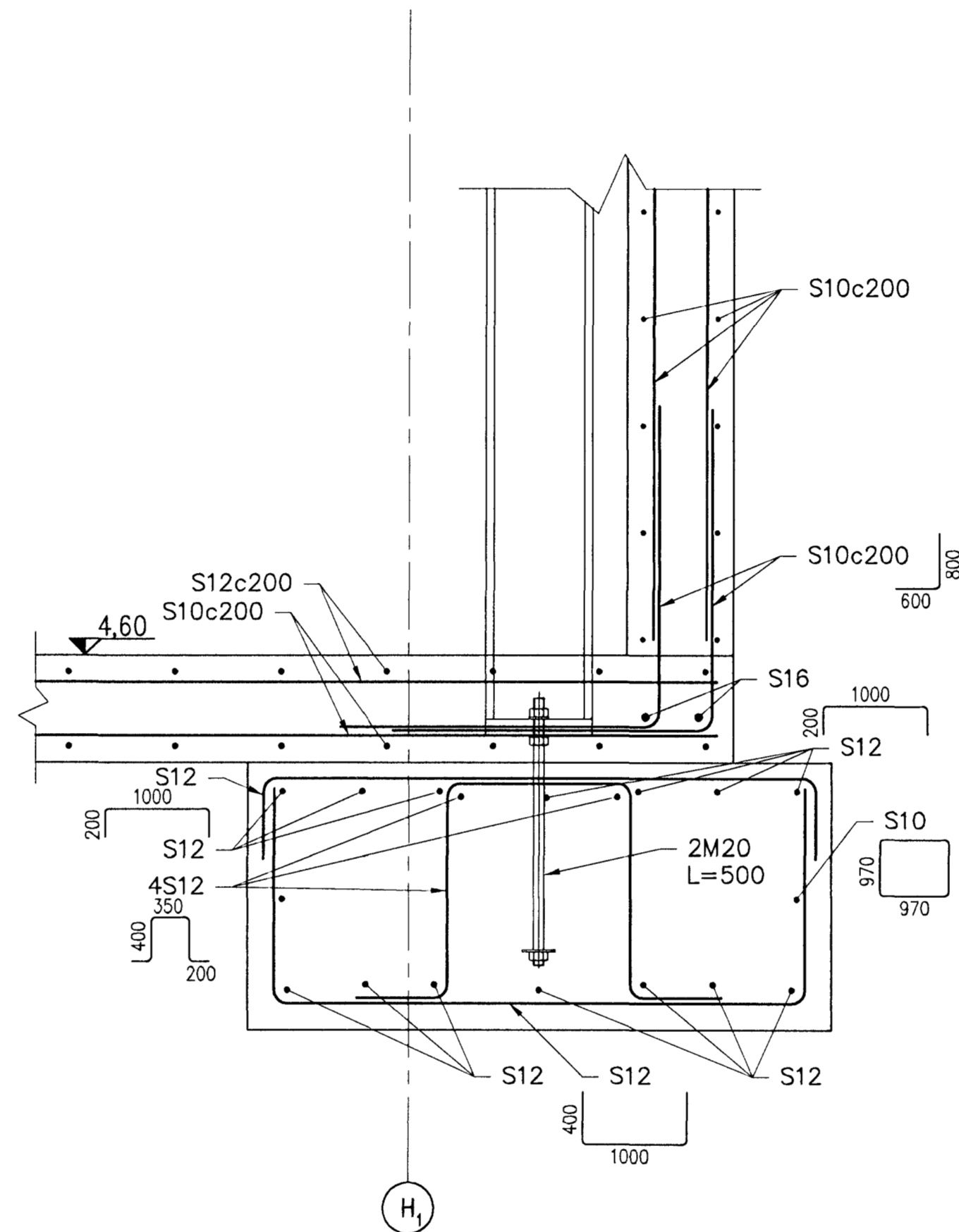
b DETAIL
1:5



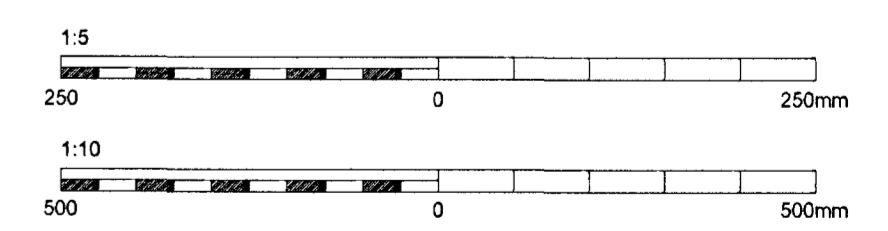
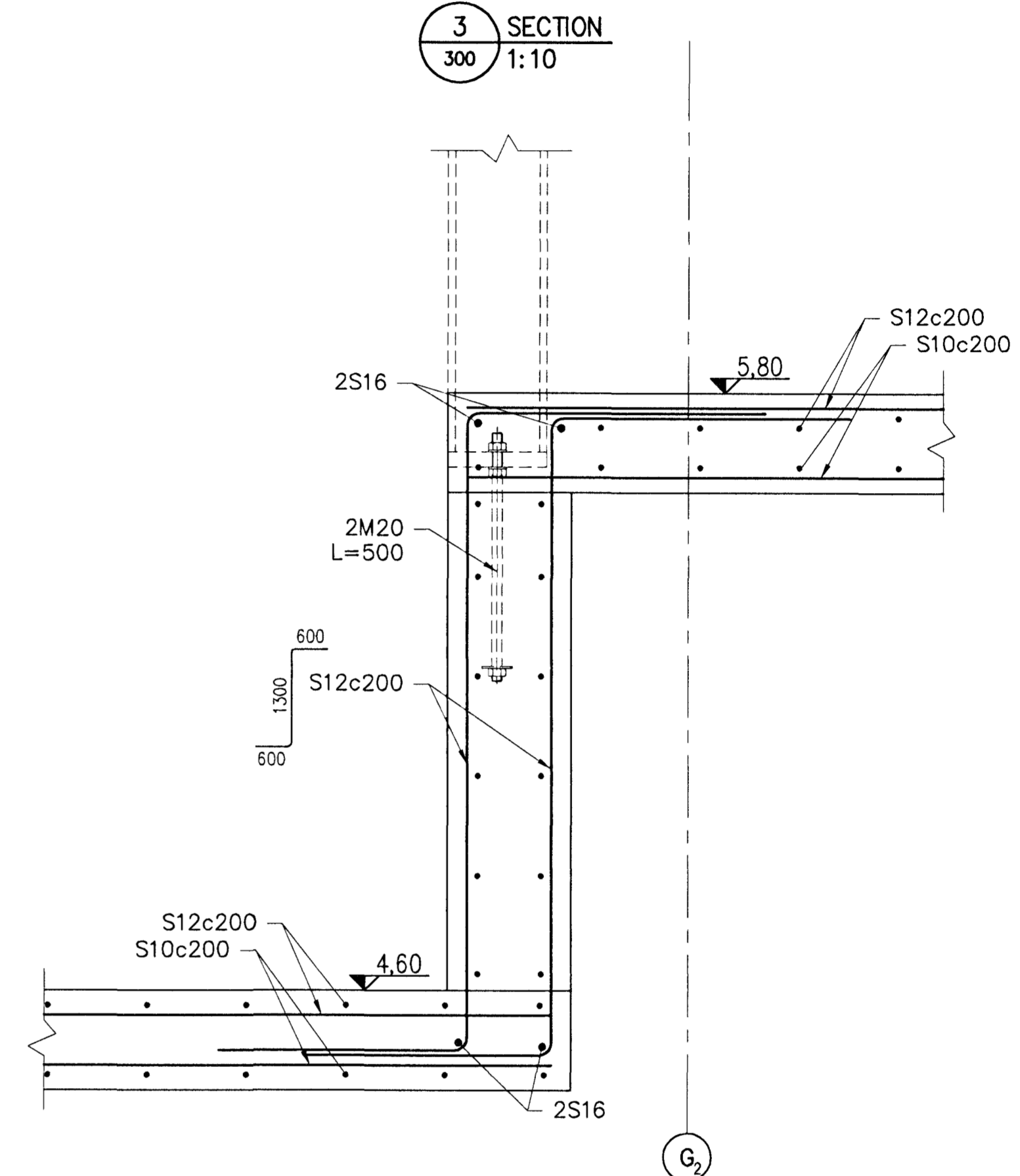
1 SECTION
300 1:10



2 SECTION
300 1:10



3 SECTION
300 1:10



Skýringar:
Explanations:



This drawing is the property of the Rio Tinto Alcan Iceland Ltd and handed out for personal use only. It may neither be copied nor made available to others without permission of the Rio Tinto Alcan Iceland Ltd. The receiver is liable for any misuse.

Fjöldi stykkja Number of pieces	Hlutur Object	Atriði Item	Efni Material	sg.stk Weight	total í heild Scale	Athugasemdir Remarks
IV III III I	ICC CASTHOUSE EXTENSION BUILDINGS SUBSTATION 5B, REINFORCEMENT WALLS AND FOUNDATIONS				1:5/10	Stærð Format A1 Mkv Scale 1:5/10
	Vertikal / Supplier	HRV				Talningar vertika / Drawn of supply Breyt./Rev. ICC-611-CA-518-304 C
	Teknað Drawn	DMG	2010.11.24	Yfirfarið Checked	NI	Samþykkt Approved 1/1
	RioTinto Alcan		ISAL Alcan Iceland Ltd IS-222 Hálfarþingur		ISAL Tekn.nr. ISAL / Tekn.nr. ISAL	Breyt./Rev.
	Teknað Drawn		Yfirfarið og stað Checked and filed			Notkun heimil Released

Breyt. Rev.	Breyting Revision	Dags. Date	Samþ. Approved	Nátt. heimil. Released
1	Issued for construction	10.11.24	Kjpp	