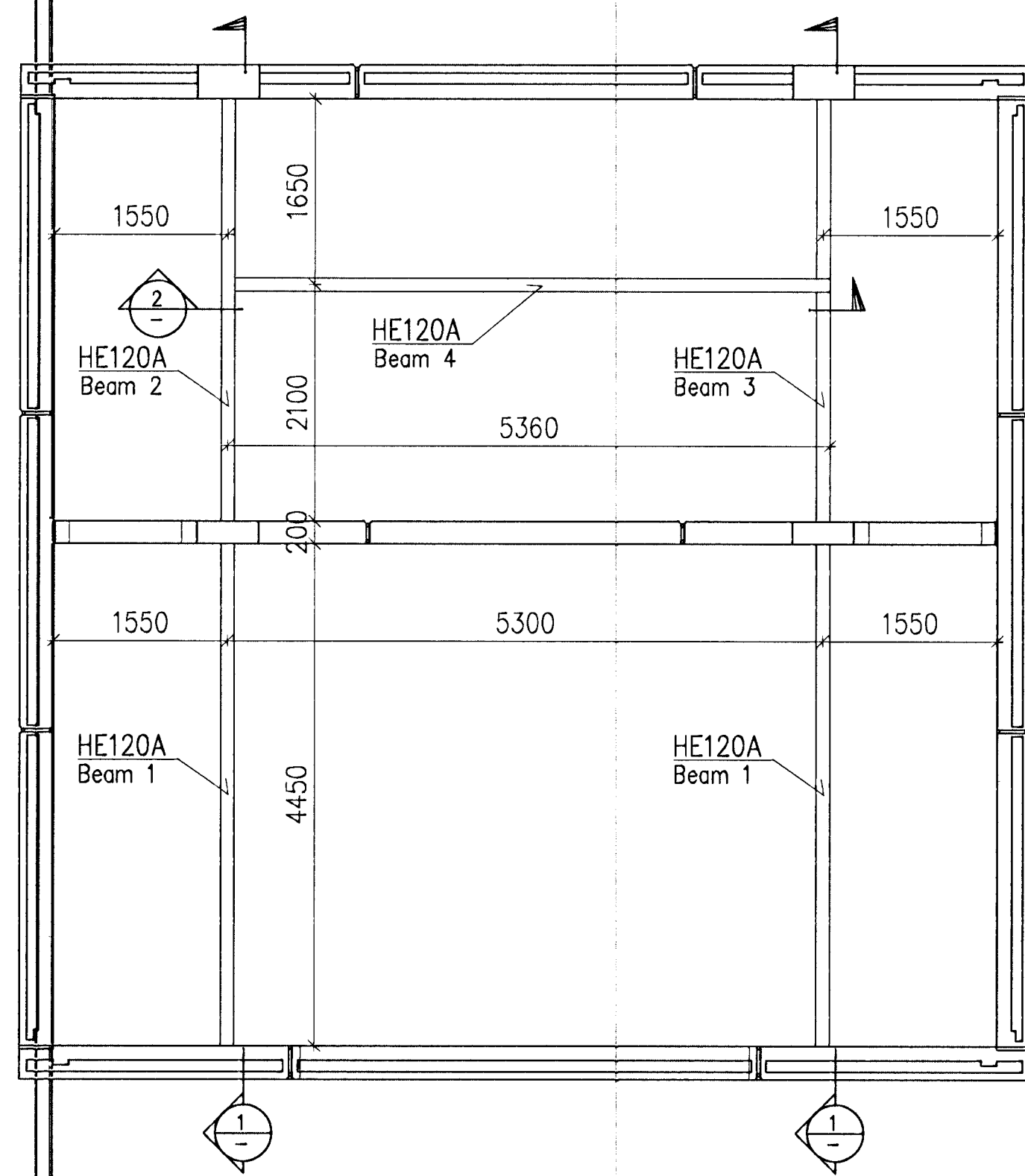
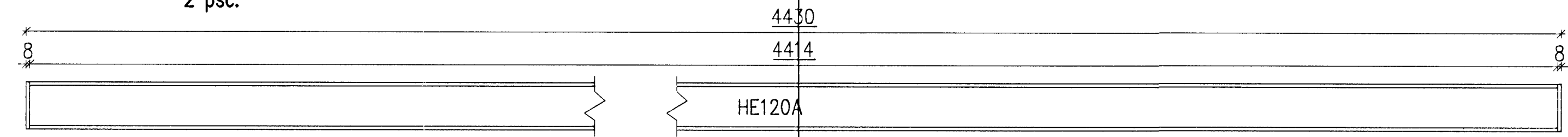


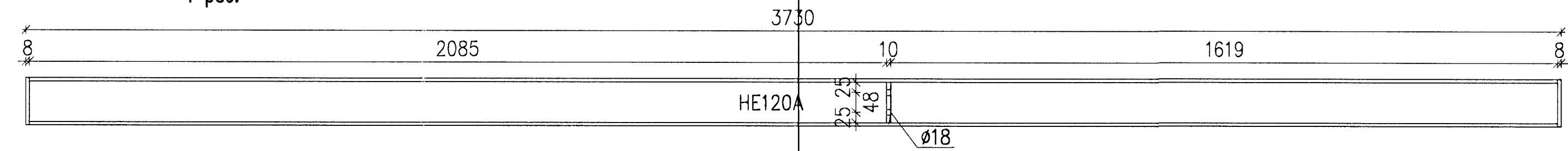
PLAN 1:50



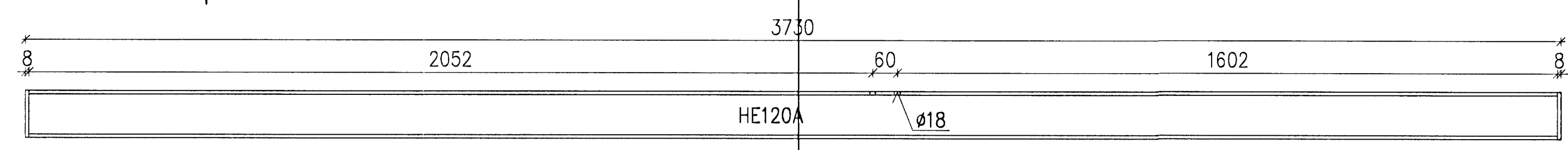
BEAM 1 1:10
2 psc.



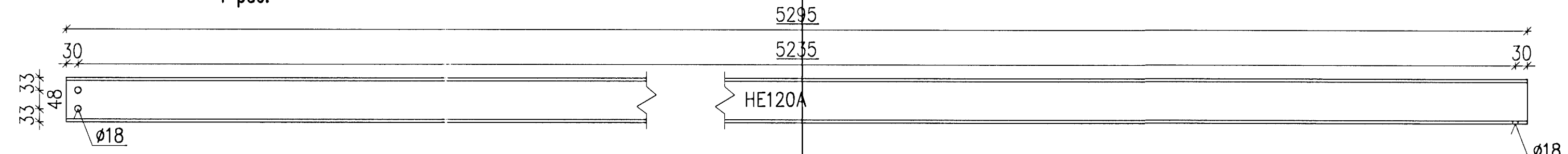
BEAM 2 1:10
1 psc.



BEAM 3 1:10
1 psc.



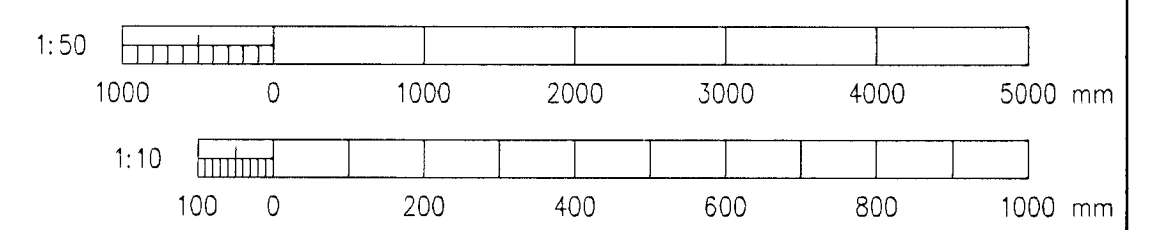
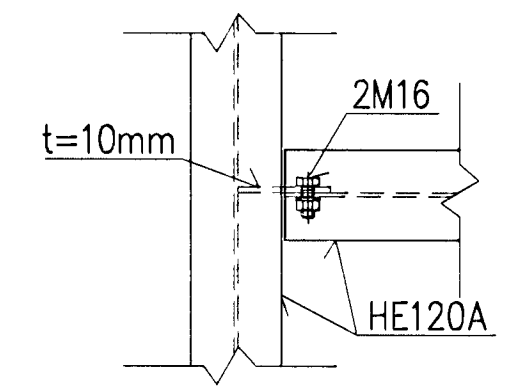
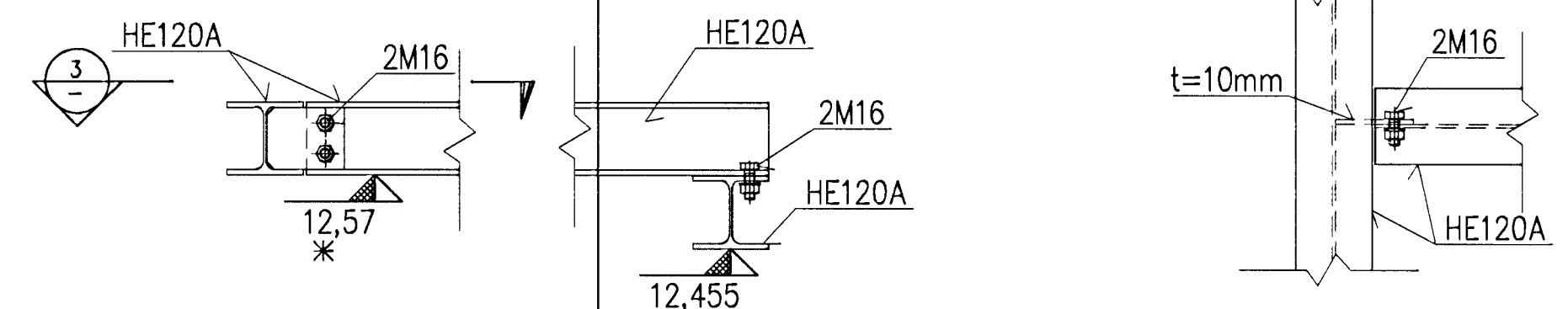
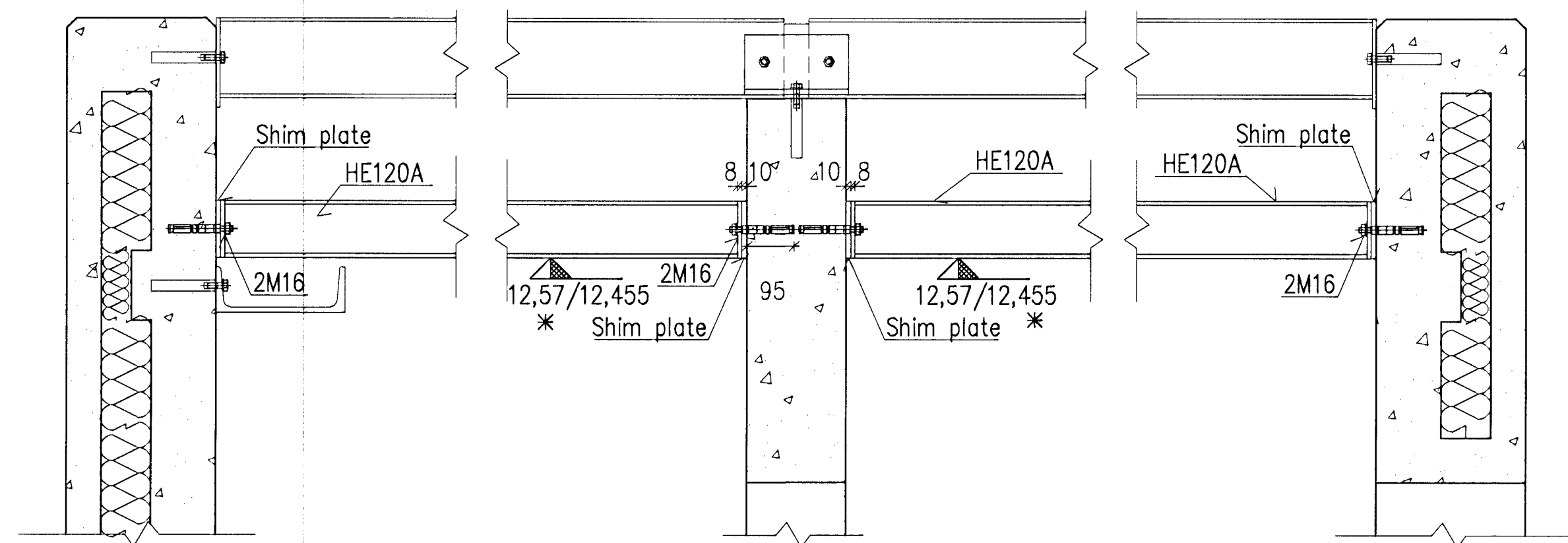
BEAM 4 1:10
1 psc.



1 SECTION 1:10

2 SECTION 1:10

3 SECTION 1:10



Sampykkt þann
02 OCT 2012
F. Sigurður Steinar Jónsson

Nick Indriðason
Kt. 181144-3949
NI

Skýringar: Legend: * Elevation of support beams shall be adjusted with regards to situation on site, but level of lower flange shall not surpass K=+12,20.	This drawing is the property of Rio Tinto Alcan Iceland Ltd. and loaned out for personal use only. It may neither be copied nor made available to others without permission of Rio Tinto Alcan Iceland Ltd. The receiver is liable for any misuse.				Dagsetning / Date 2011.03.10		IPU 410 - SUBSTATION PL3 - BOOSTER BUILDING BUSBAR SUPPORT BEAMS		Flokkur nr.: 4011		Blað nr.: 16784		
	Formati: A1 Mkv: 1:50/10 Dimensions without tolerances according to ISO 2768-1 medium.				Tekn. / Drawn GMG		Verktaki / Supplier HRV		Tekn. nr. / Verktaka / Supplier drw. no. IDP-410-C0-073-291		ISAL Telkn. nr.: ISAL / Drw. no. of ISAL 251318		Breyt / Rev. A
12 As Built	2012.02.27	GMG	NI	NI	NI	NI	NI	NI	NI	NI	NI	NI	