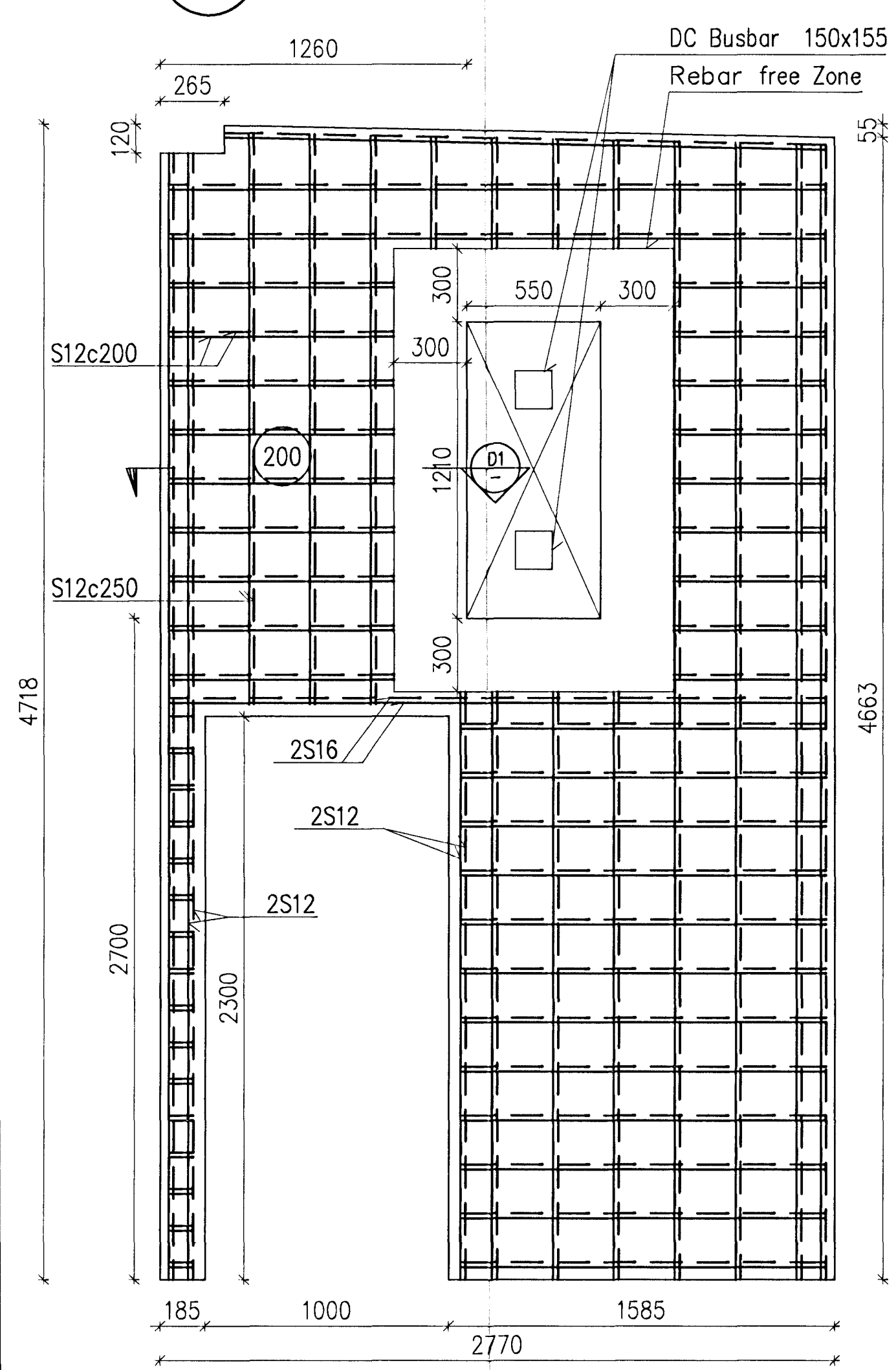
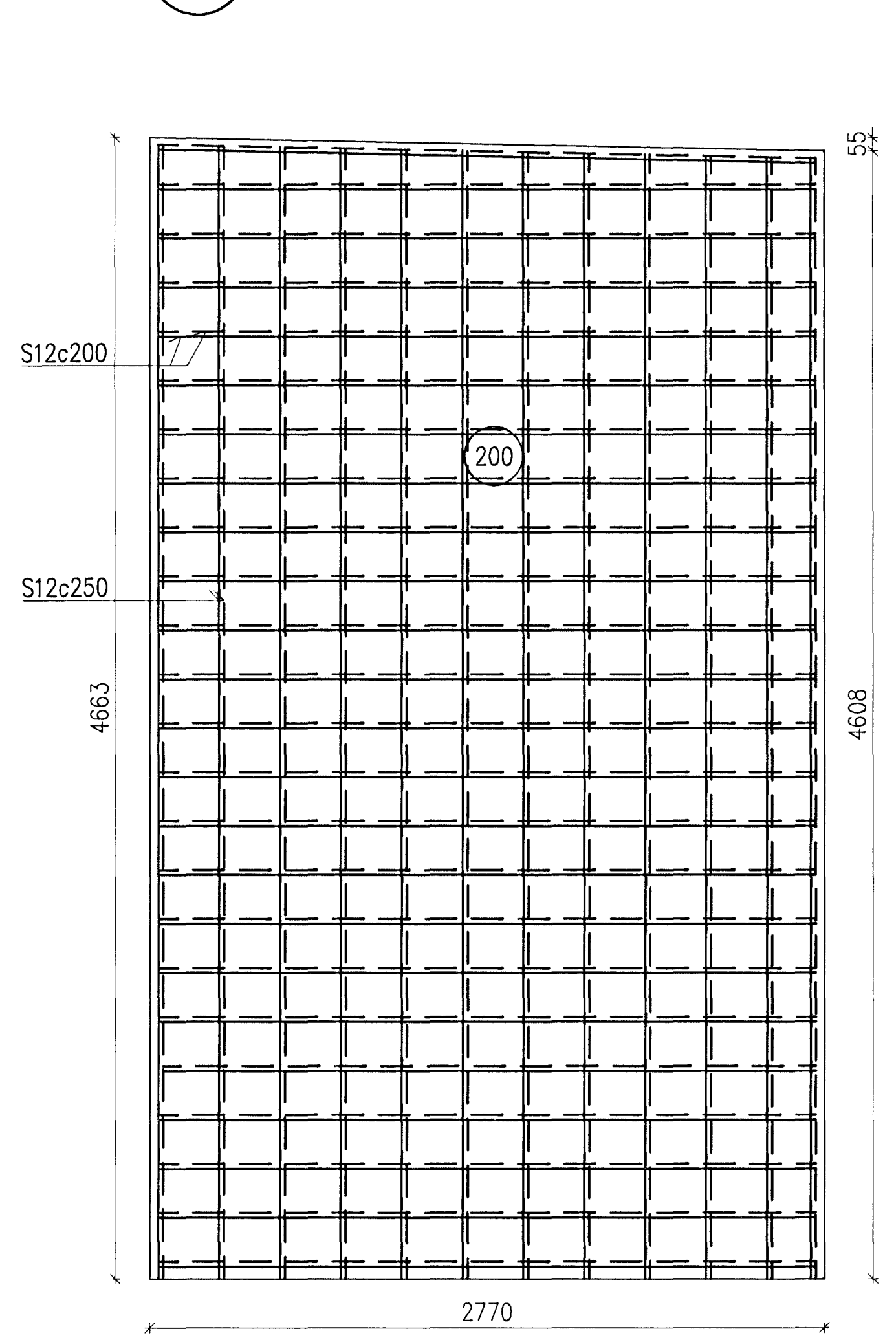


Níels Indriðason  
 Kt. 181144-3949  
 NI

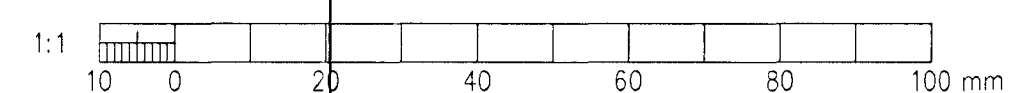
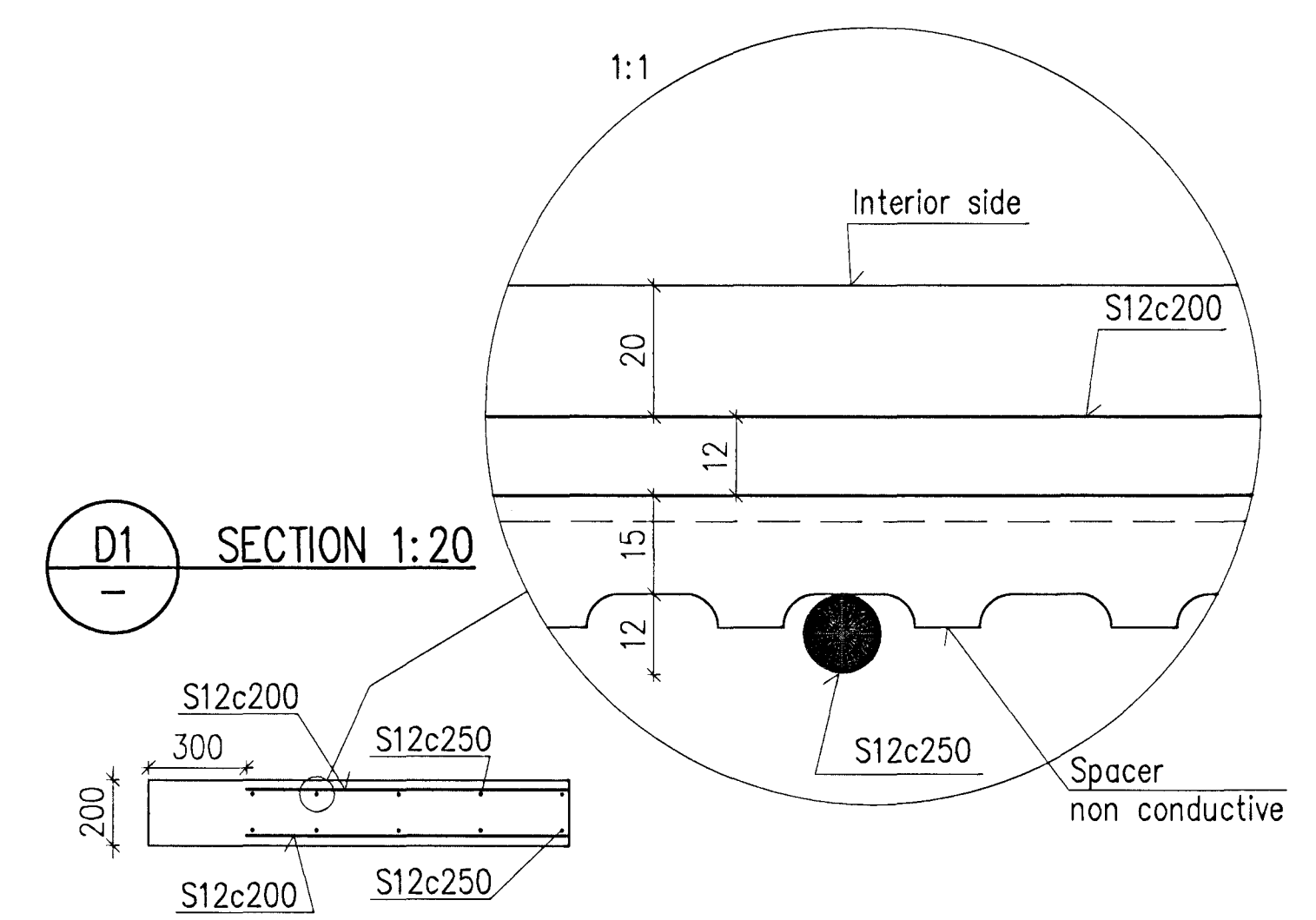
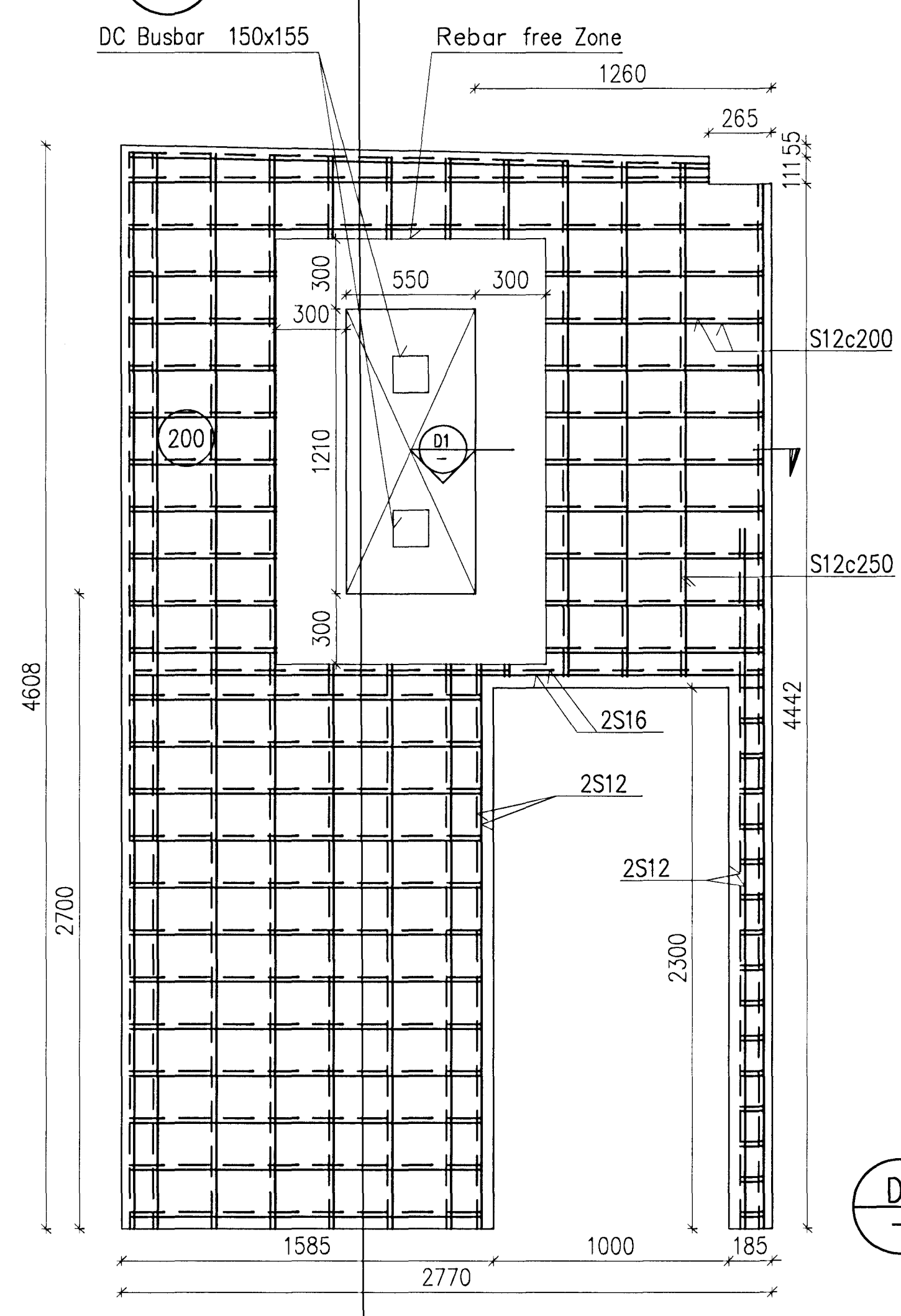
1101 WALL ELEMENT 1101 1:20



1102 WALL ELEMENT 1102 1:20



1103 WALL ELEMENT 1103 1:20



Skýringar:  
 Legend:

Concrete: C30/37: XF3  
 Formed surfaces: F2  
 Reinforcement steel: B500C  
 Structural steel: S235JR  
 Insulation: Rockwool  
 Concrete cover 20mm interior side and 30mm exterior side.  
 For wall elements WE-03, WE-04, WE-09 and WE-10 spacers should be use between vertical and horizontal bars so that electrical current can not pass from one to another.

Also see IDP-410-CA-000-030 for concrete and IDP-410-ZA-000-060 for steel.

14	As Built	2012.02.27	GMG	NI	AG	MS
Stg nr	Lýsing	Dagsetning	Har/Tei	Yfir	Notk heim	Notk heim
Rev no	Description	Date	Des/Dra	Ord	Suppl Ref	ISAL Ref

This drawing is the property of Rio Tinto Alcan Iceland Ltd. and handed out for personal use only. It may neither be copied nor made available to others without permission of Rio Tinto Alcan Iceland Ltd. The receiver is liable for any misuse.

Starð: A1 Mkv: 1:20,1  
 Format: Scale: 1:20,1  
 Dimensions without tolerances according to ISO 2768-1 medium.

HRVA HATCH  
 ISAL PRODUCTION UPGRADE

Dagsetning / Date: 2010.04.13  
 Haginnöð / Designed: HFB Tekn / Drawn: ÁFV  
 Verktaki / Supplier: HRV  
 Tekn.nr verktaka / Supplier draw.no: IDP-410-C0-073-290  
 Samþykkt / Approved: Yfir / Chkd: NI  
 Hluti af: / Part of:

IPU 410 - SUBSTATION  
 PL3 - BOOSTER BUILDING  
 WALL ELEMENTS  
 REINFORCEMENT

Flokkur nr.: Blað nr.: Nasta blinn:  
 4011 16784

Kostn.nr.-Öcno. / Bútnr.-Egna  
 AKS  
 UB136

Tekn.nr. ISAL / Drwno. of ISAL: Breyt./Rev.  
 251317 A

RioTintoAlcan  
 ISAL  
 Alcan Iceland Ltd  
 Straumsvík  
 IS-222 Hafnarfordur  
 Ísland

ISAL Yfirfarð og skrifað dags / ISAL Checked, date  
 ISAL Samþykkt, dags / ISAL Approved, date