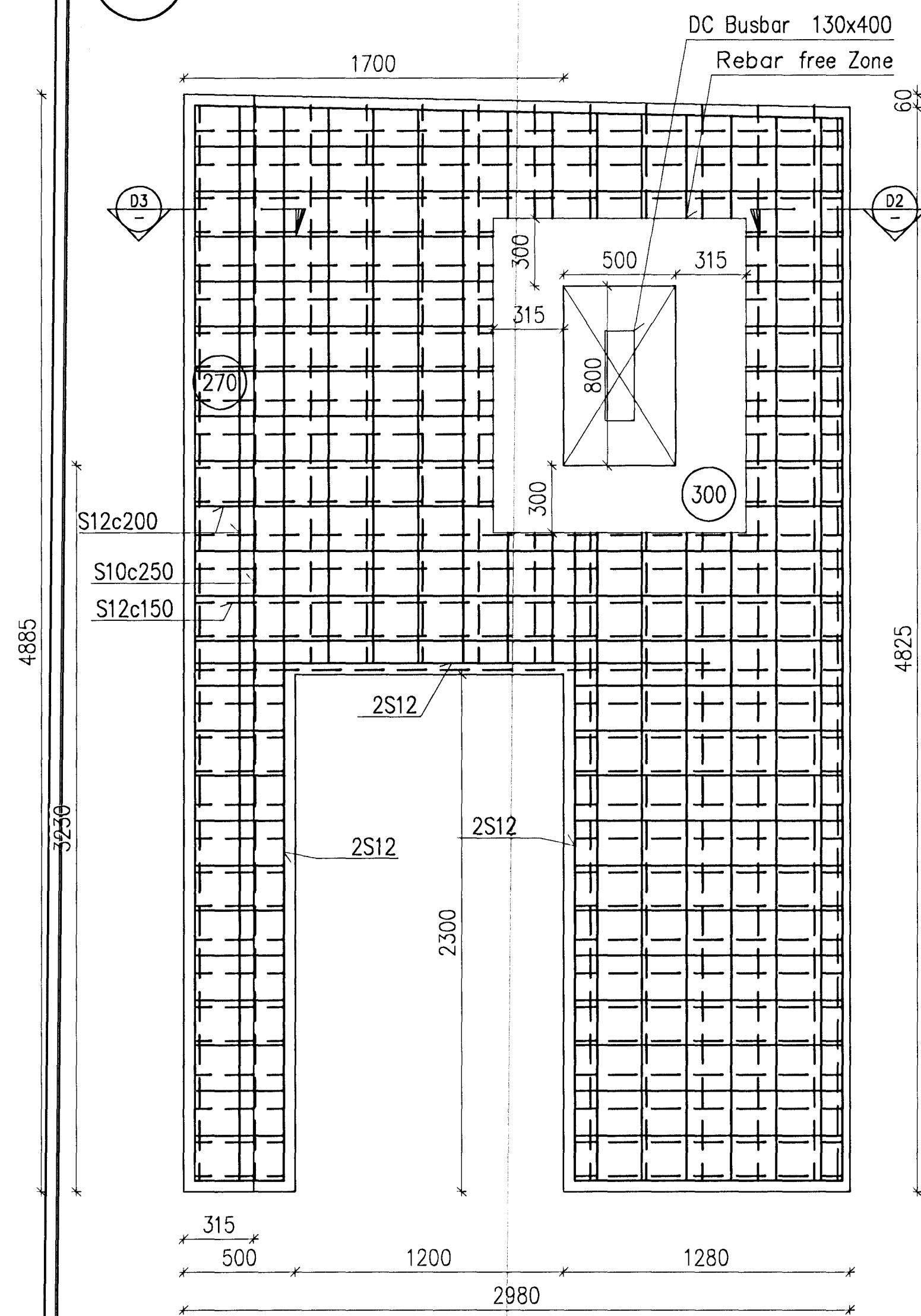
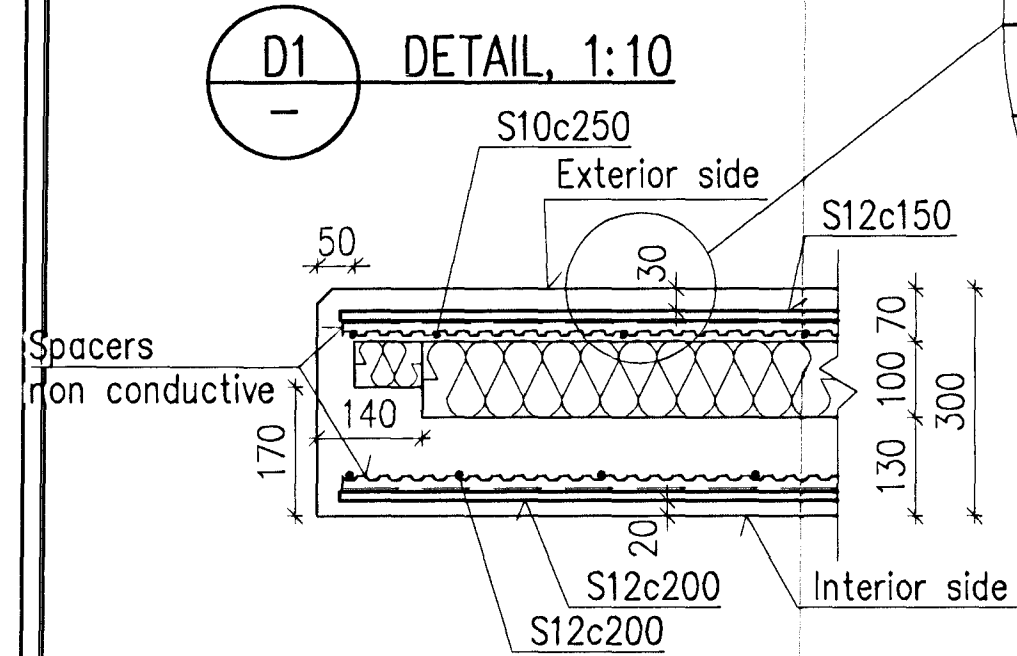
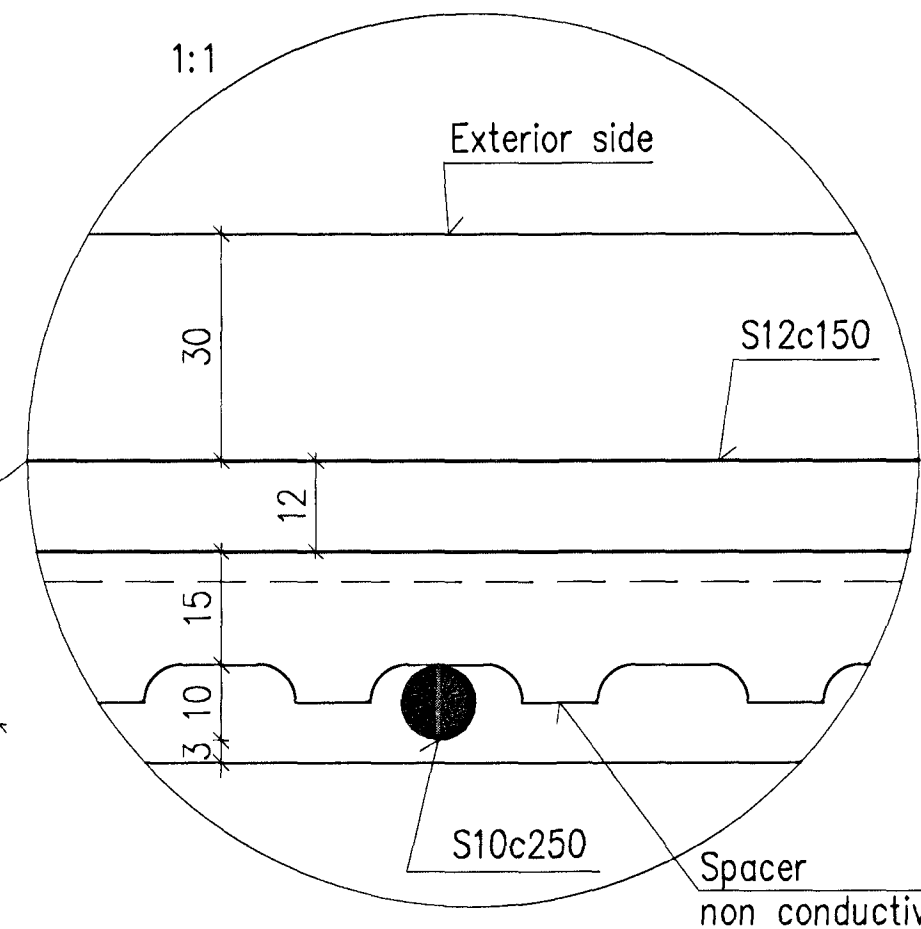
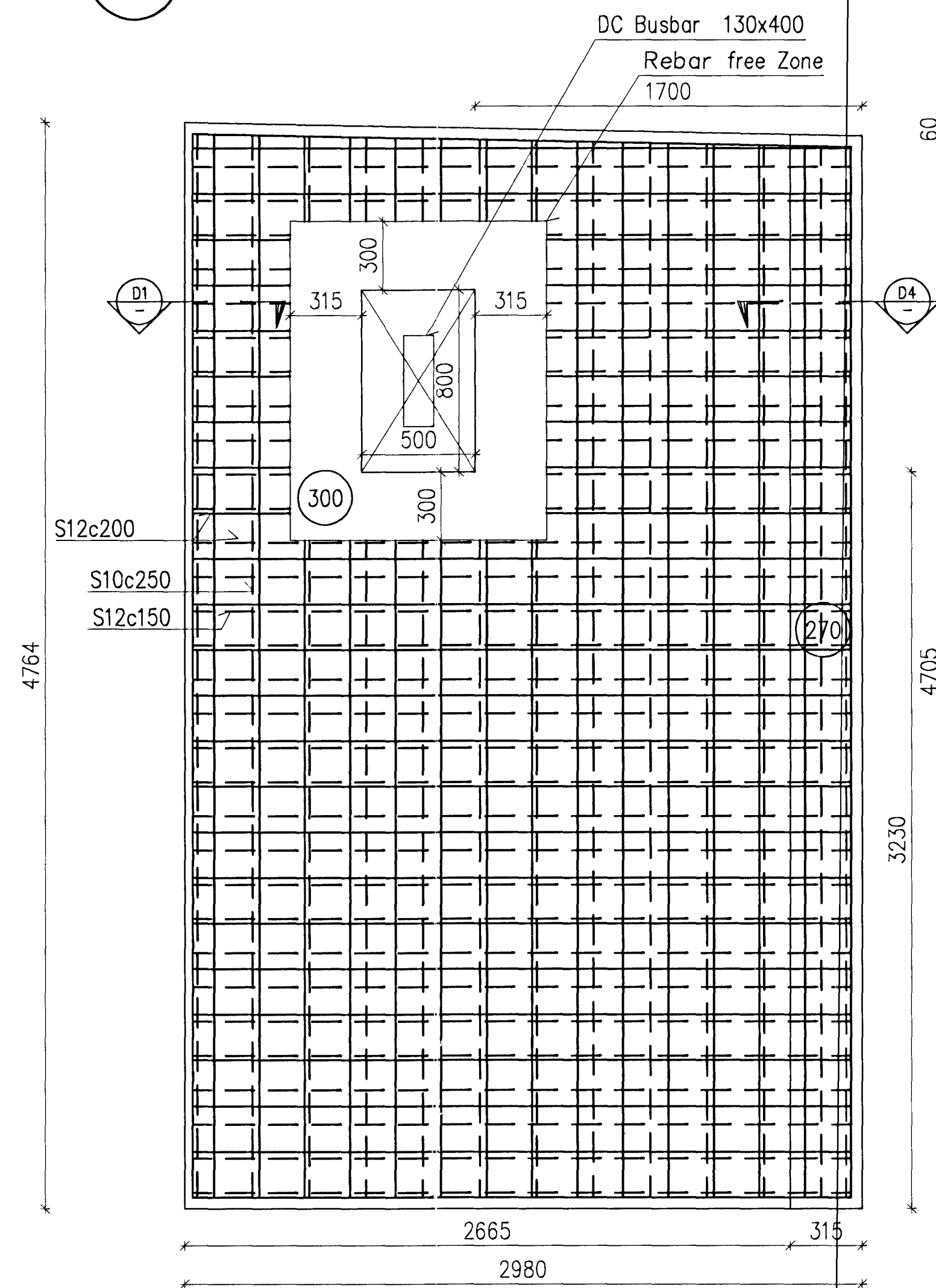


Níels Indriðason
 Kt. 181144-3949
 NI

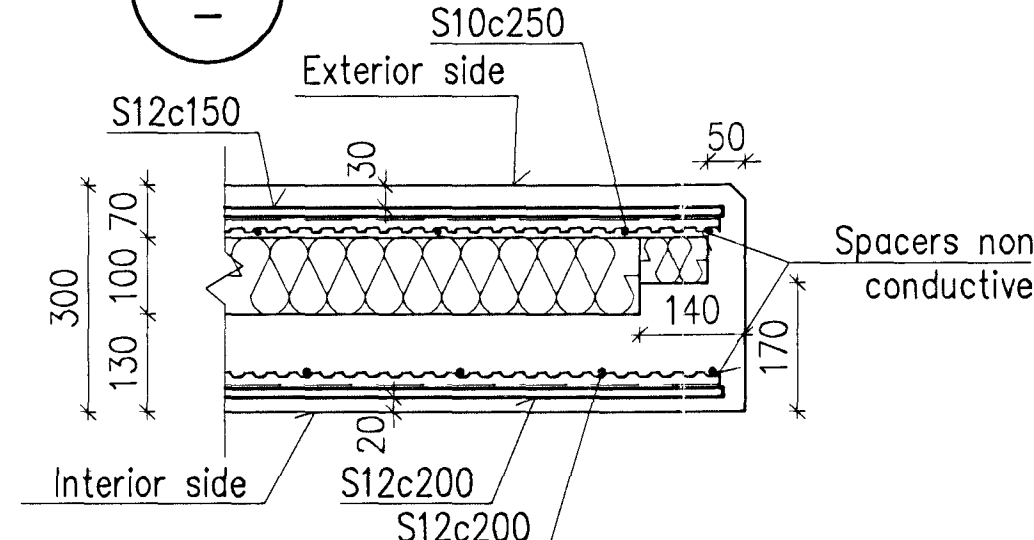
U102 WALL ELEMENT U102 1:20



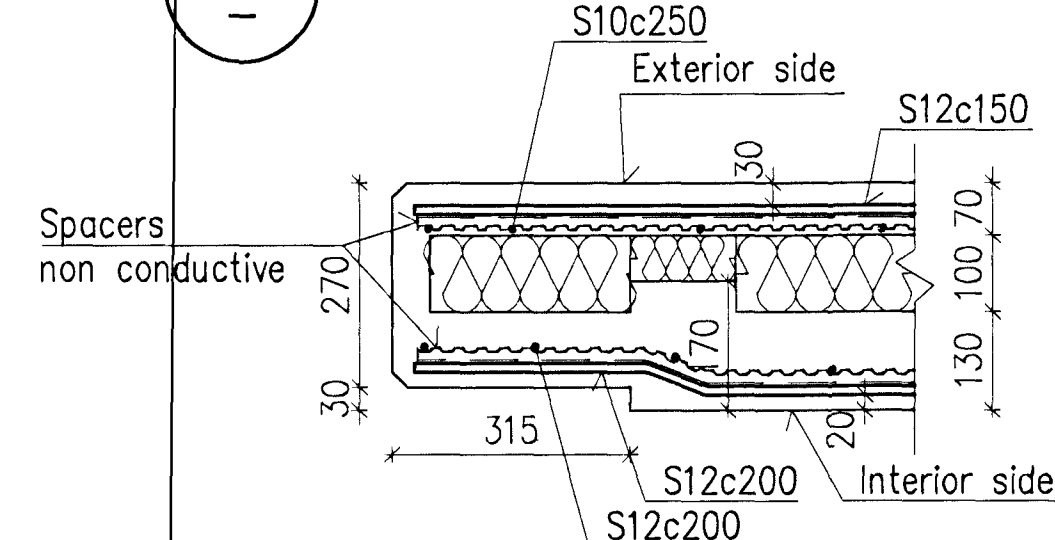
U104 WALL ELEMENT U104 1:20



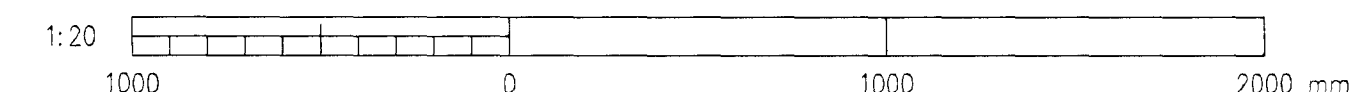
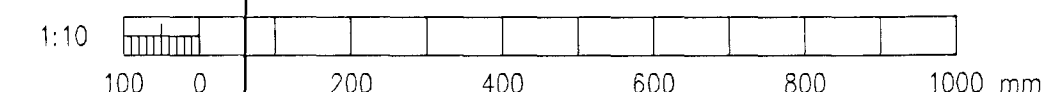
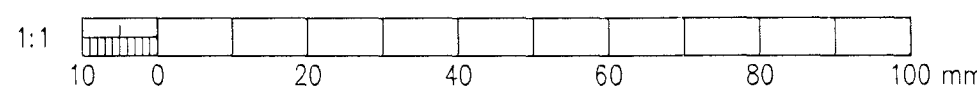
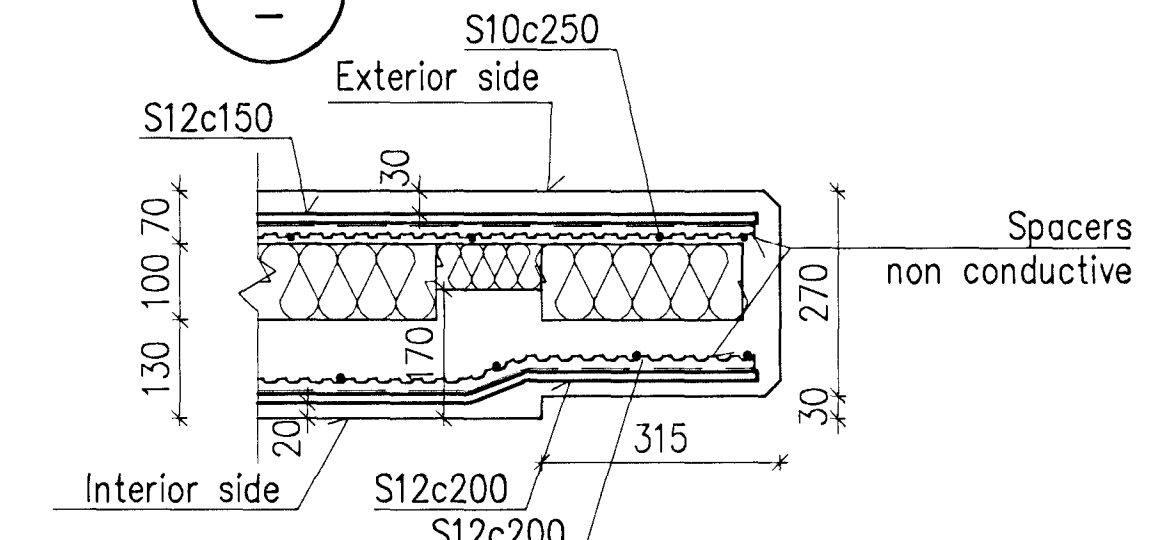
D2 DETAIL, 1:10



D3 DETAIL, 1:10



D4 DETAIL, 1:10

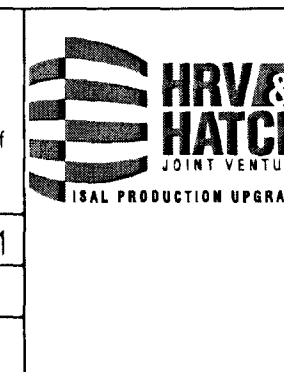


Skýringar:
 Legend:
 Concrete: C30/37: XF3
 Formed surfaces: F2
 Reinforcement steel: B500C
 Structural steel: S235JR
 Insulation: Rockwool
 Concrete cover 20mm interior side and 30mm exterior side.
 For wall elements WE-03, WE-04, WE-09 and WE-10 spacers should be use between vertical and horizontal bars so that electrical current can not pass from one to another.

Also see IDP-410-CA-000-030 for concrete and IDP-410-ZA-000-060 for steel.

13	As Built	2012.02.27	GMG	NI	AS	MS	MS
Qig nr	Rev no	Using Description	Dagsetning Date	Höf./Tö Des./Drw	Yfir Clk	Notk heim Notk heim	Notk heim Notk heim

This drawing is the property of Rio Tinto Alcan Iceland Ltd. and is loaned out for personal use only. It may neither be copied nor made available to others without permission of Rio Tinto Alcan Iceland Ltd. The receiver is liable for any misuse.



Dagsetning / Date	2010.04.13
Hanna / Designed	Tekn / Drawn
HFB	ÁFV
Verkstaki / Supplier	HRV
Tekn.nr.verktaka / Supplier drw.no	IDP-410-CO-073-289
Samþykkt / Approved	Yfir / Chkd
NI	NI
Hluti af / Part of:	

IPU 410 - SUBSTATION
 PL3 - BOOSTER BUILDING
 WALL ELEMENTS
 REINFORCEMENT



Flokkur nr.: / Blað nr.:	Nesta bl.: /
Kostn.nr.-Cano. / Búnr.-Eq.no	4011 16784
AKS	UB136
Tekn.nr. ISAL / Drw.no. of ISAL	Breyt./Rev
251316	A