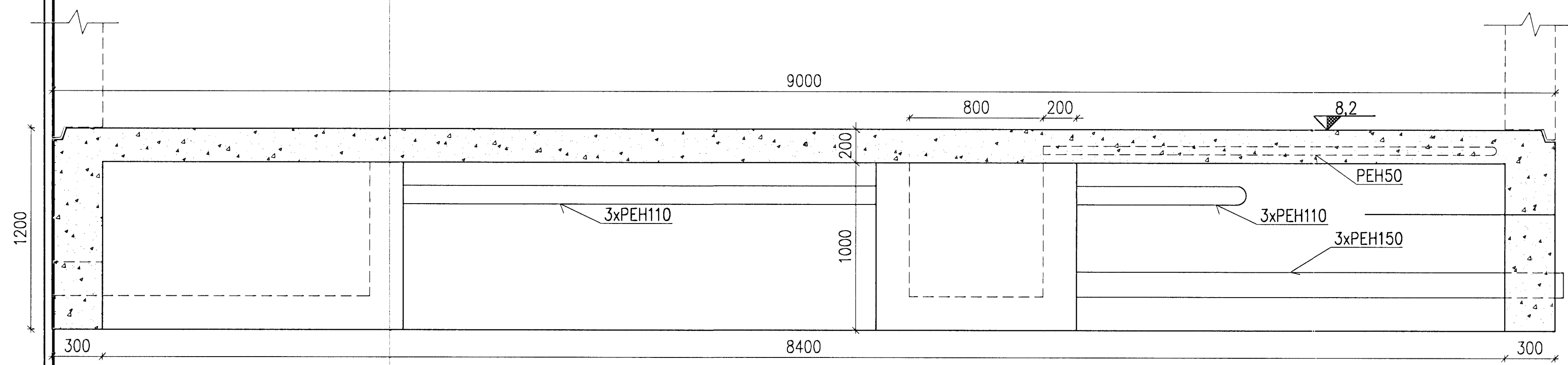
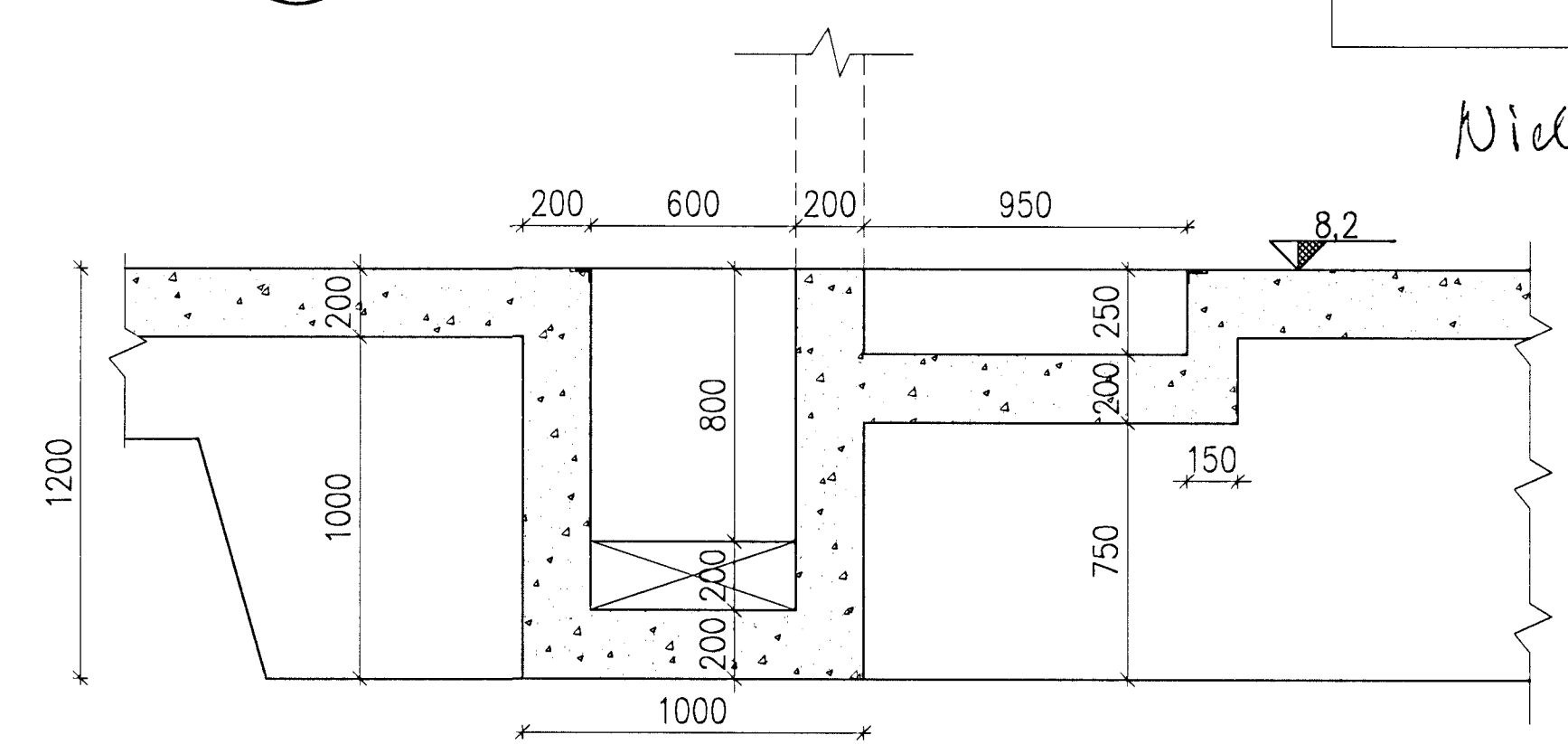


Níels Indriðason
Kt. 181144-3949
NI

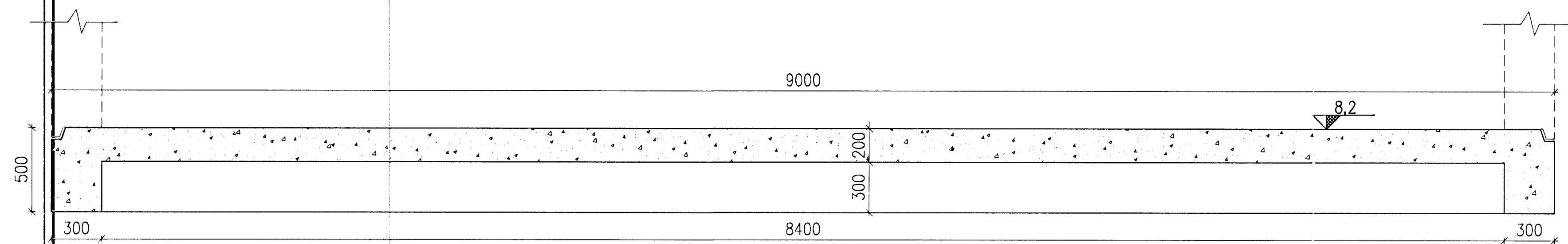
D SECTION
284



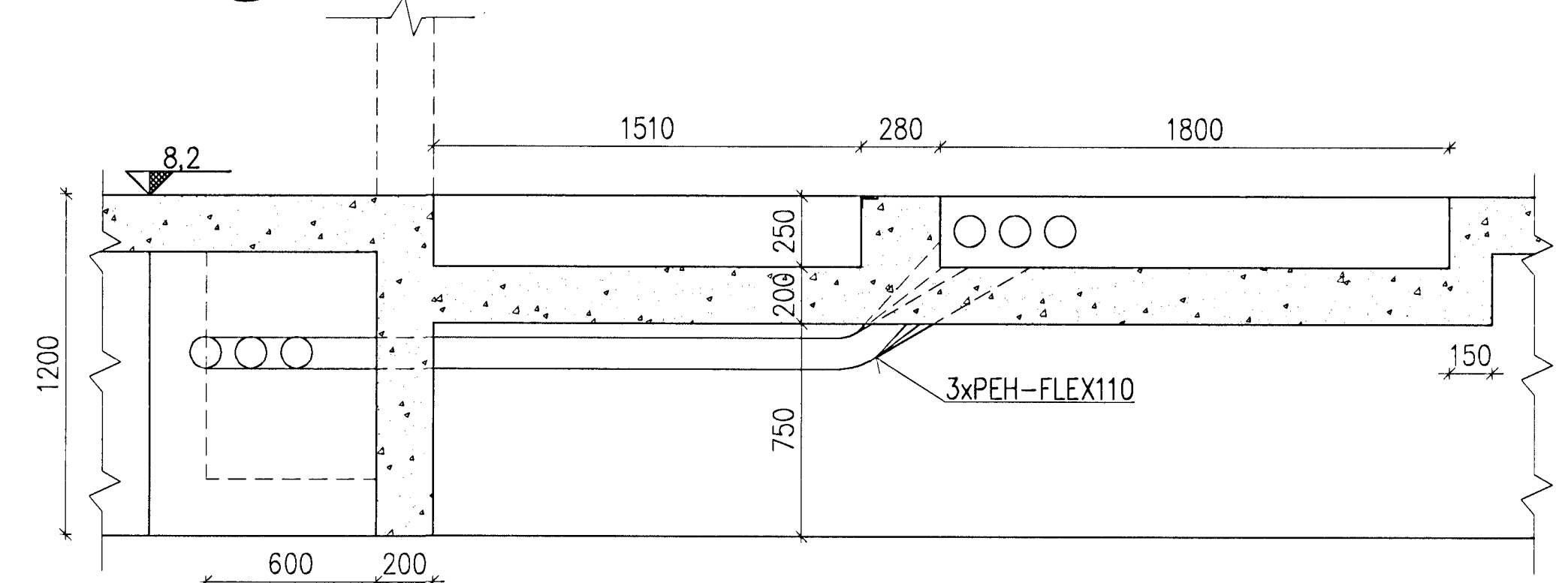
G SECTION
284



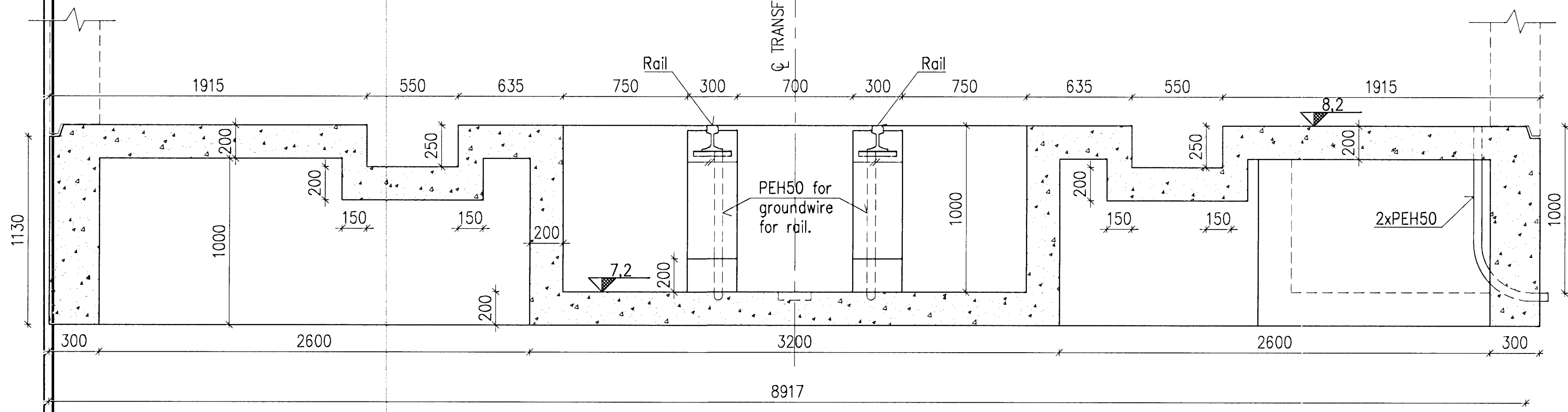
E SECTION
284



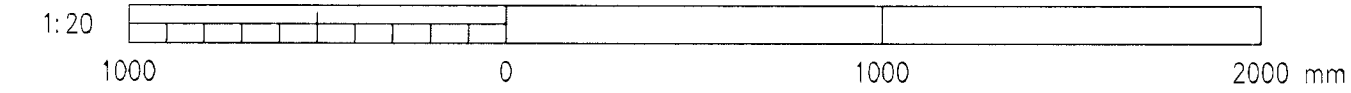
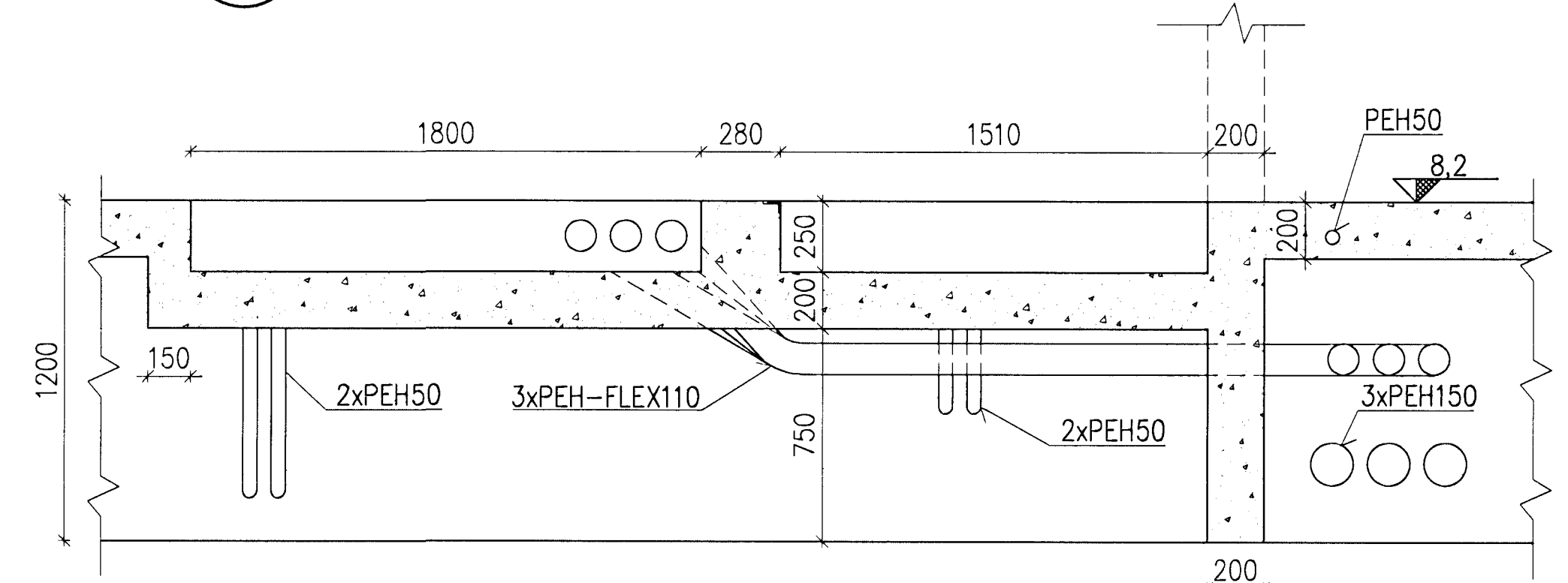
H SECTION
284



F SECTION
284



I SECTION
284



Skýringar:
Legend:

Concrete: C30/37: XF3	Also see IDP-410-CA-000-030 for concrete
Formed surfaces: F2	and IDP-410-ZA-000-060 for steel.
Reinforcement steel: B500C	
Structural steel: S235JR	
Insulation: Rockwool	

15	As Built	2012.02.27	GMG	NI	MS	MS
Fig. nr	Description	Dagsetning	Hor./Rn	Yfir	Notk. heim	Netk. heim
Rev. no		Date	Des./Dra	Old	Suppl	ISAL Ref

This drawing is the property of Rio Tinto Alcan Iceland Ltd. and handed out for personal use only. It may neither be copied nor made available to others without permission of Rio Tinto Alcan Iceland Ltd. The receiver is liable for any misuse.

Start: A1
Format: A1
Scale: 1:20
Dimensions without tolerances according to ISO 2768-1 medium.

HRV HATCH
ISAL PRODUCTION UPGRADE

Dagsetning / Date	2009.01.08	Flakur nr.:	Blöð nr.:	Næsta bl. nr.:
Hannað / Designed	HFB	Kostn. nr. - Ccno. /	Bún. nr. - Eq. no	
Tekn. / Drawn	ÁFV	4011	16784	
Verktaki / Supplier	HRV	AKS	UB136	
Teikn. nr. verktaka / Supplier drw. no	IDP-410-C0-073-285	ISAL	Teikn. nr. ISAL / Drw. no. of ISAL	Breyt./Rev.
Form. / Approved	NI	251312	251312	A
Húti of. / Part of:				

ISAL Yfirfarið og ákæð. dags / ISAL Checked, date
ISAL Samþykkt. dags / ISAL Approved, date