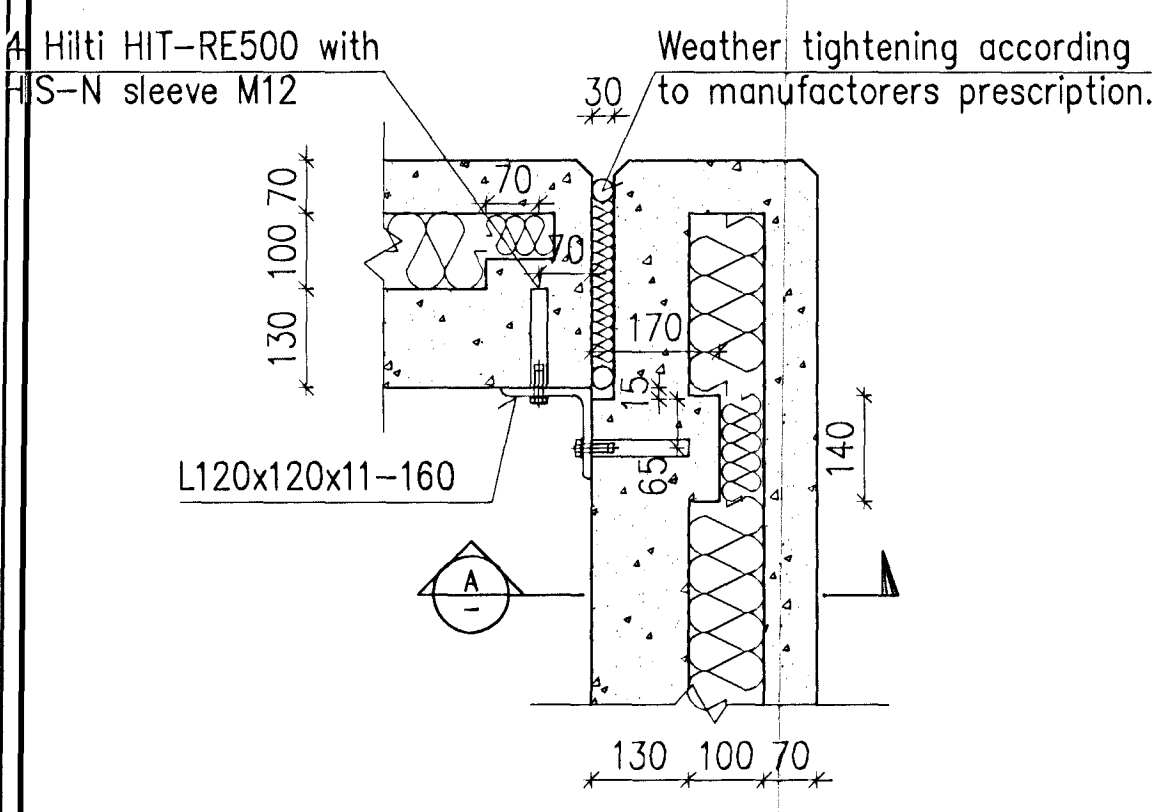


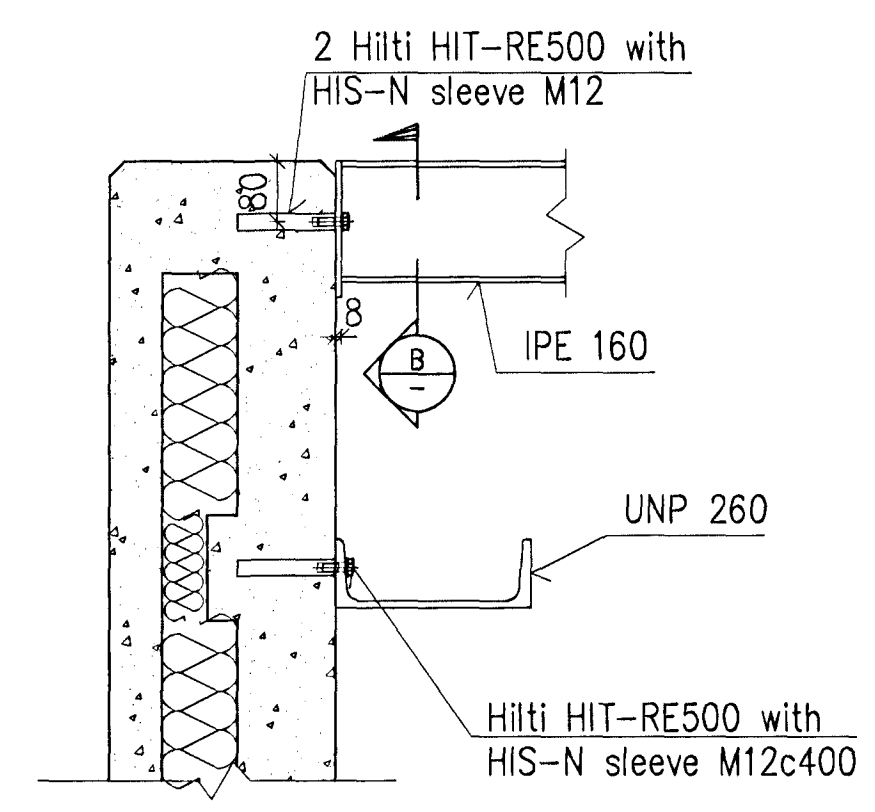
Sambýkt barn
 02 OCT 2012
 Byggingafræðingur /
 Fh. Sigurður Steinar Jónsson

Níels Indriásson
 Kt. 181144-3949
 NI

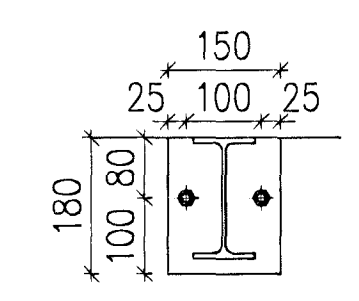
D1 281 DETAIL



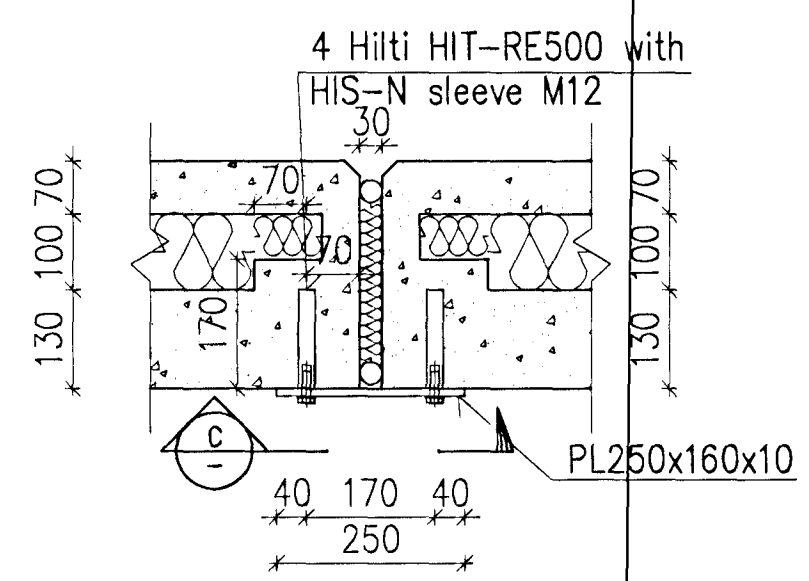
D2 281 DETAIL



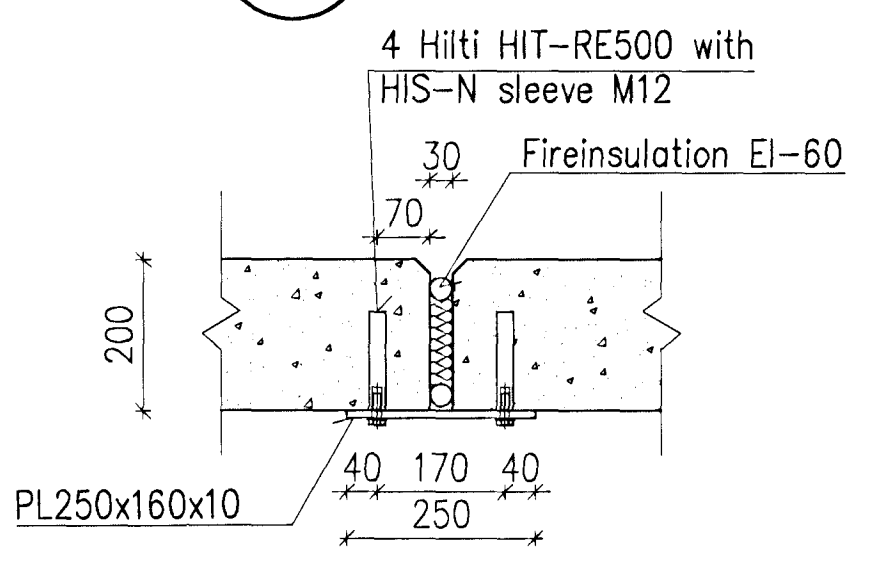
B SECTION



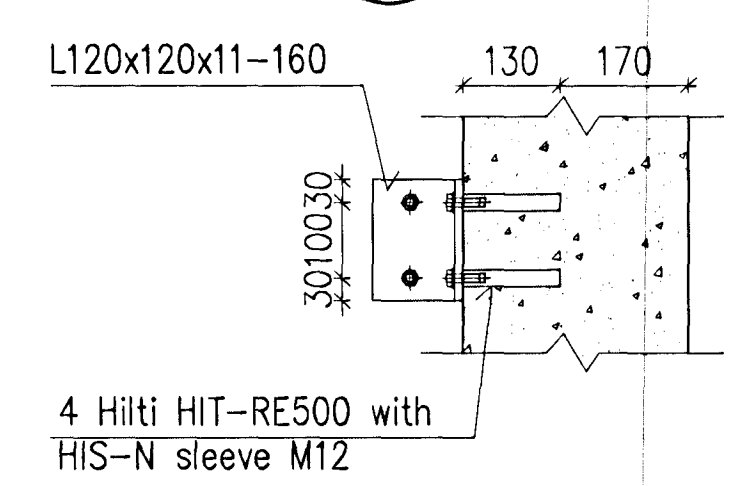
D3 281 DETAIL



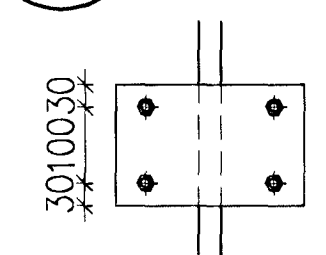
D4 281 DETAIL



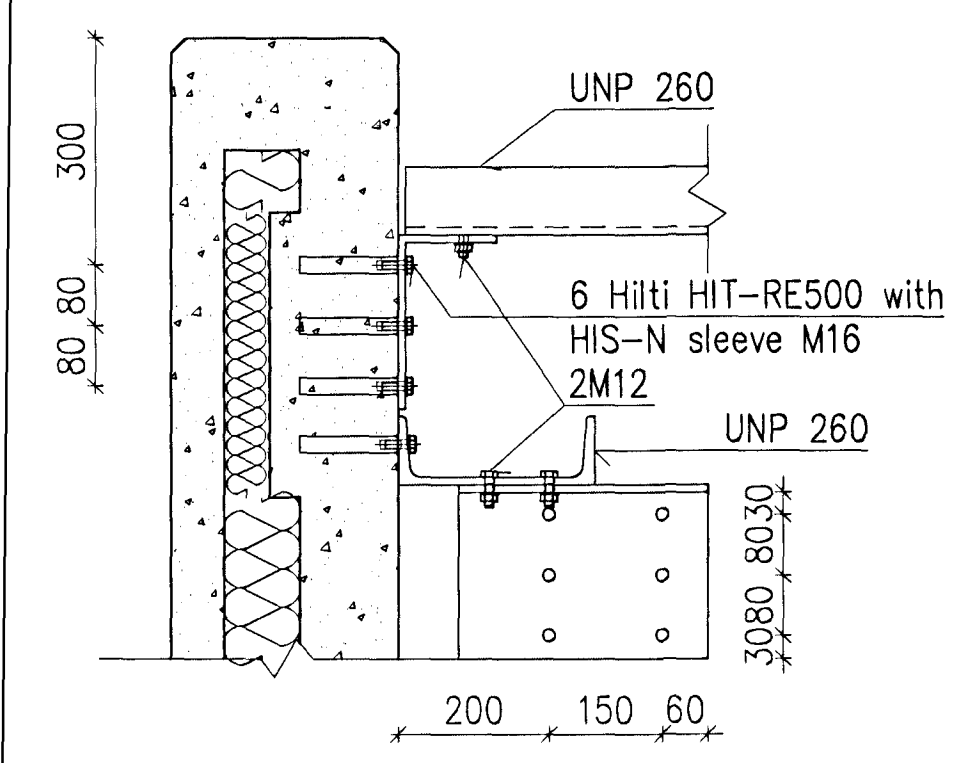
A SECTION



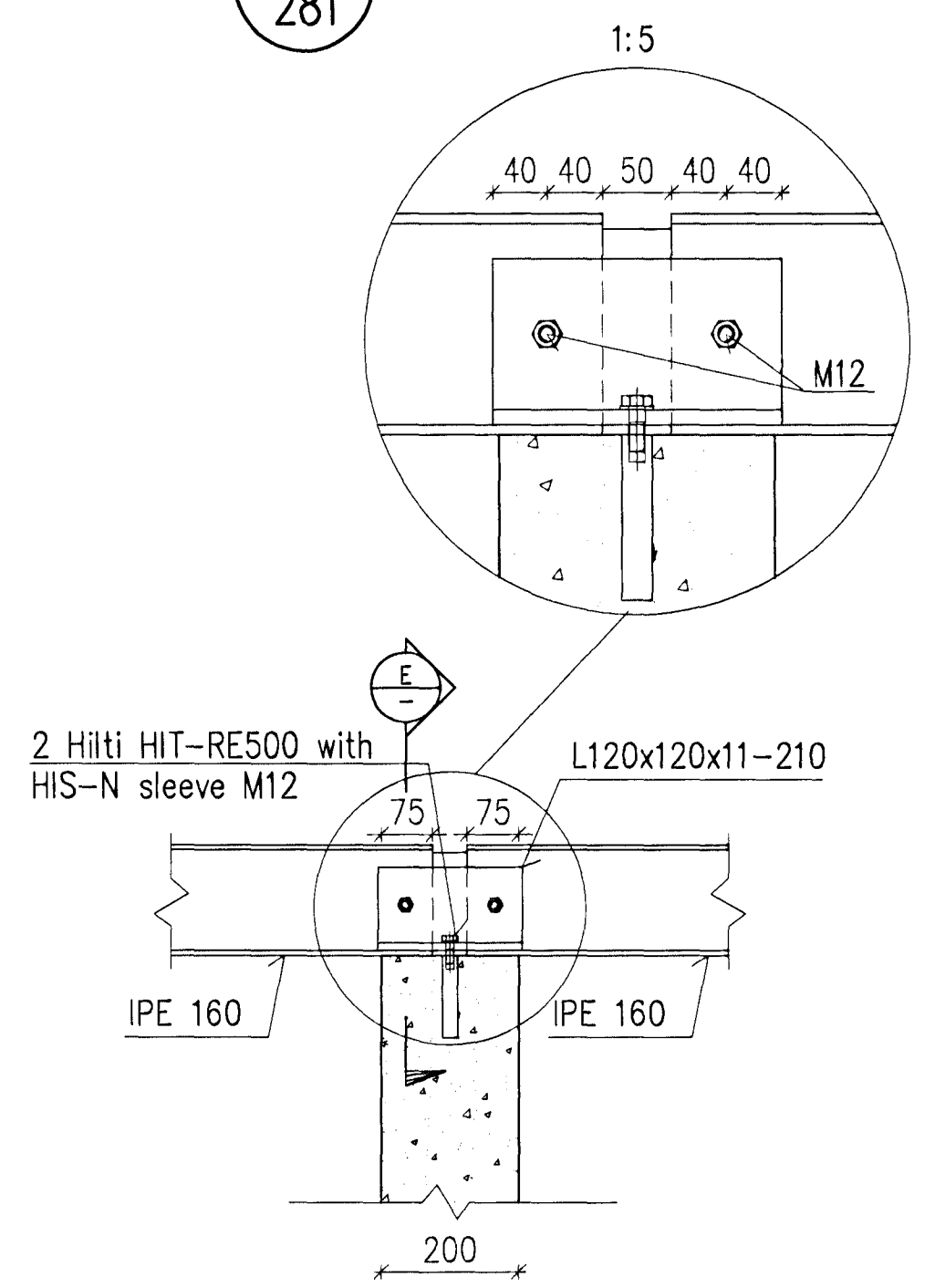
C SECTION



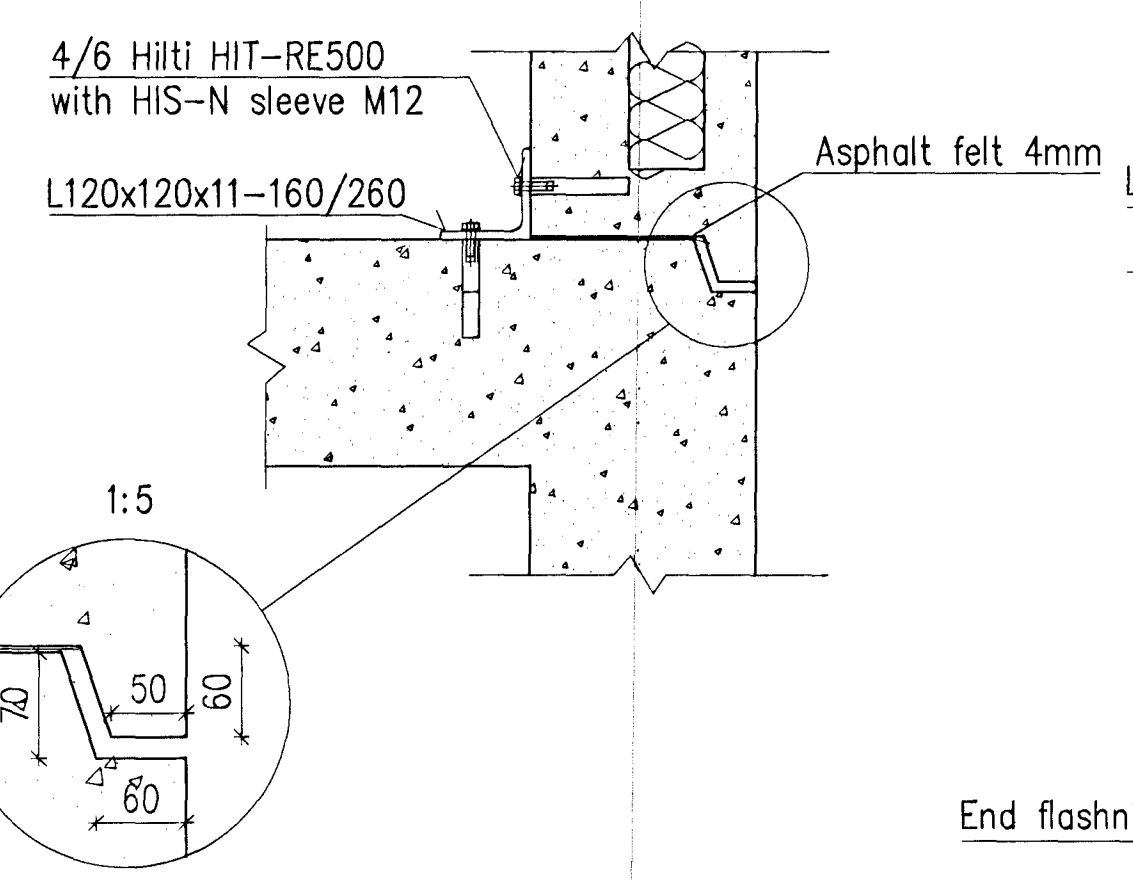
D8 281 DETAIL



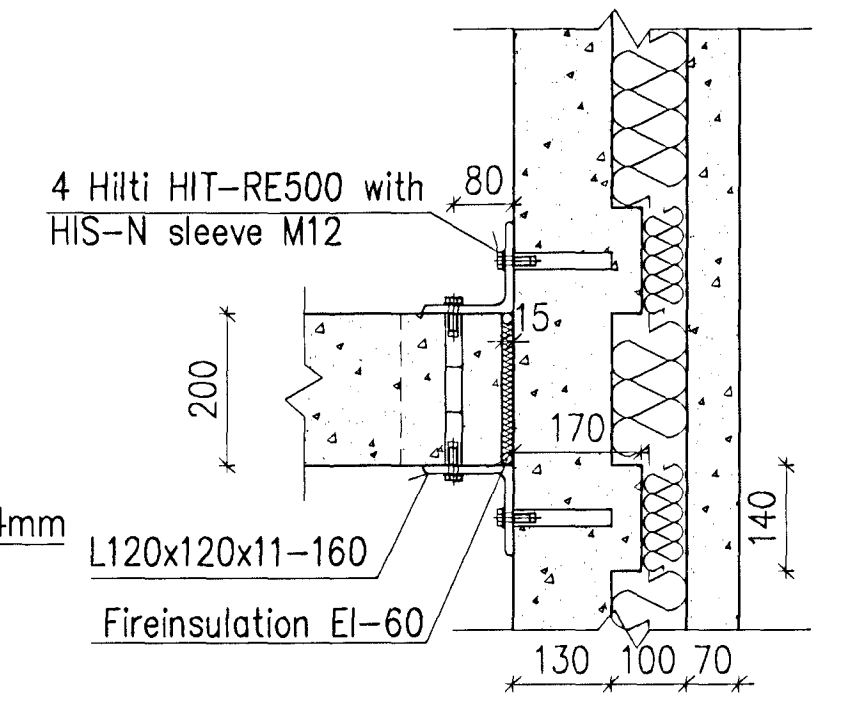
D9 281 DETAIL



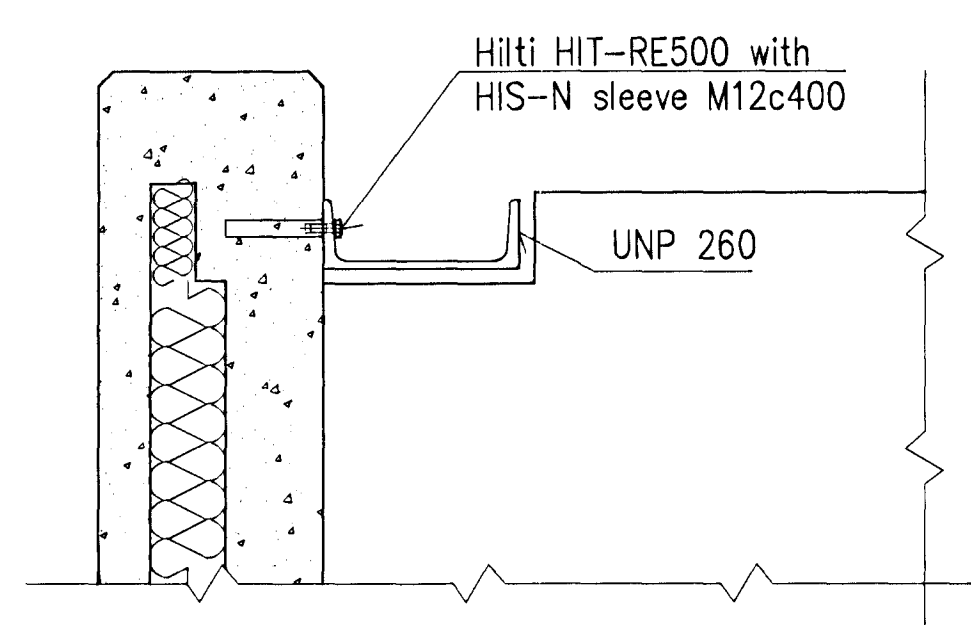
D5 281 DETAIL



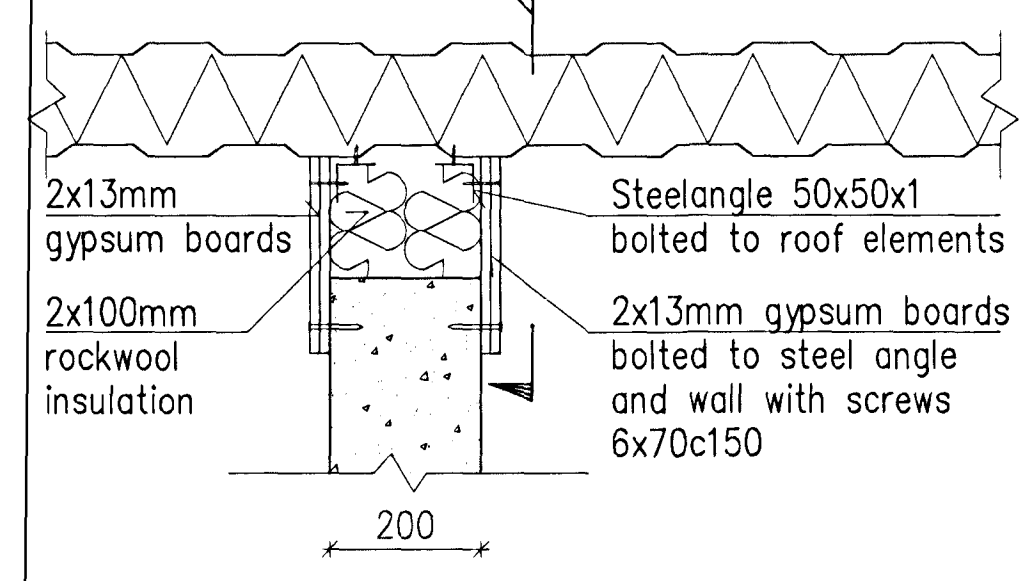
D6 281 DETAIL



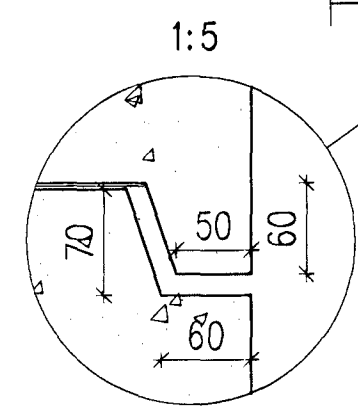
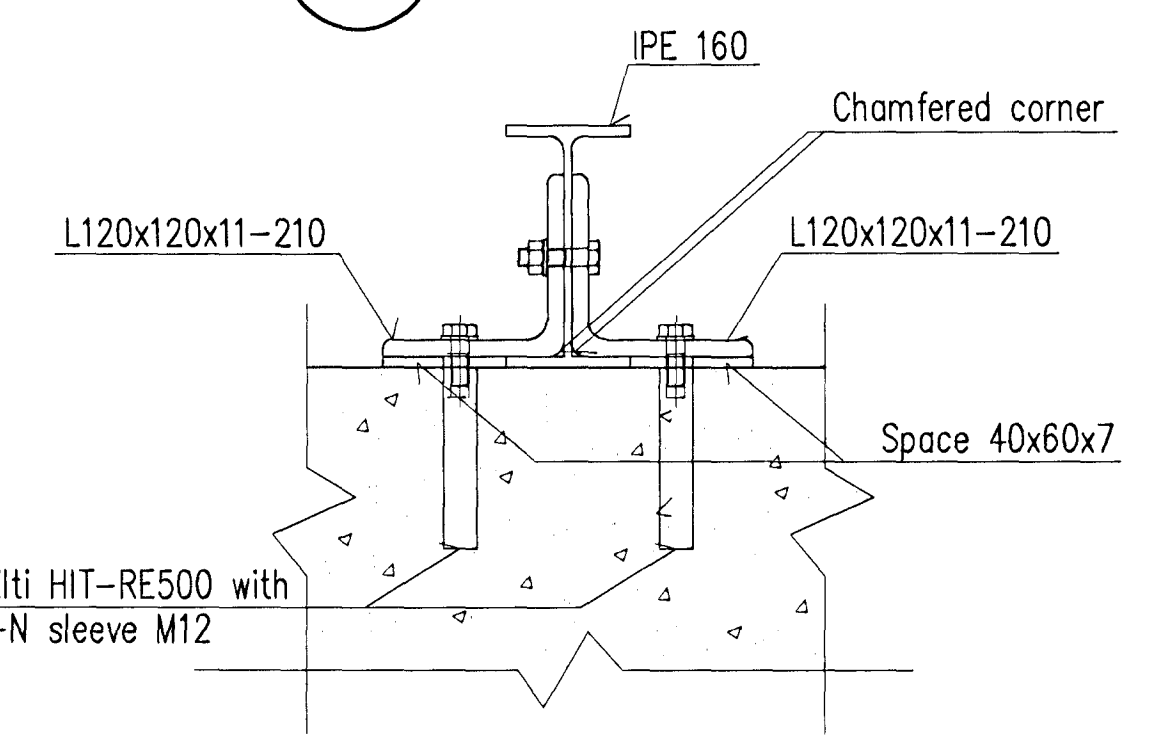
D7 281 DETAIL



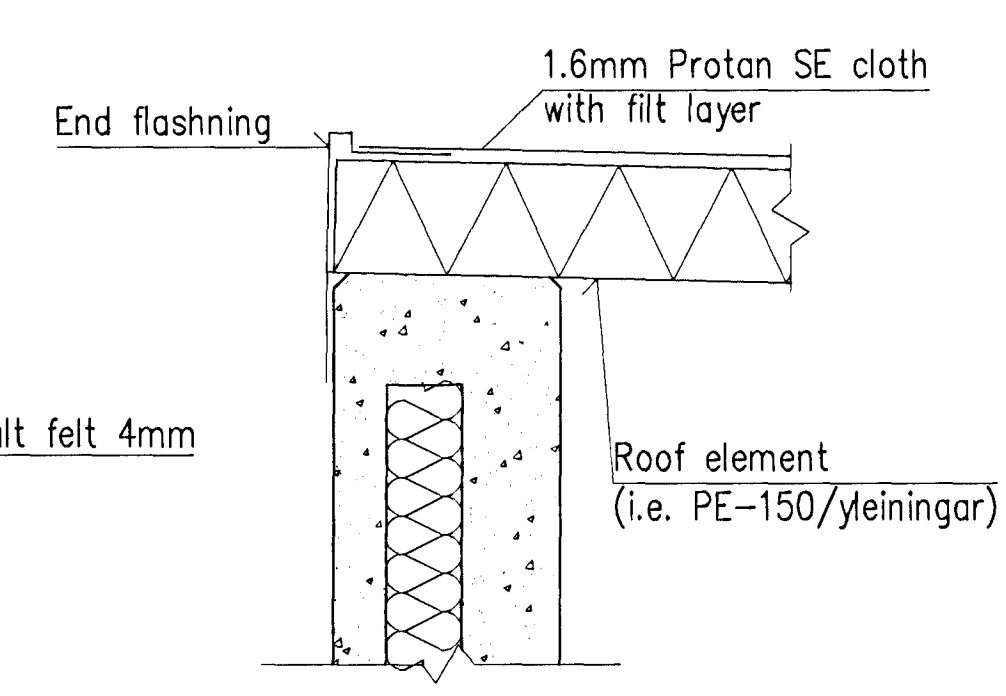
D12 281 DETAIL



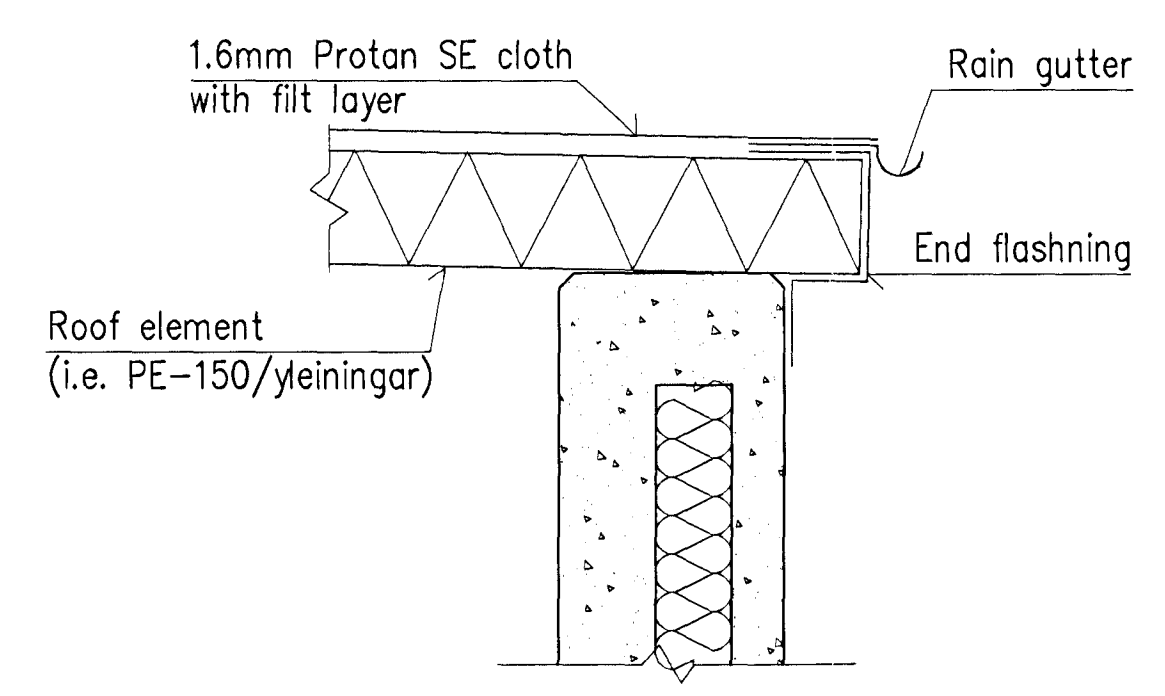
E SECTION



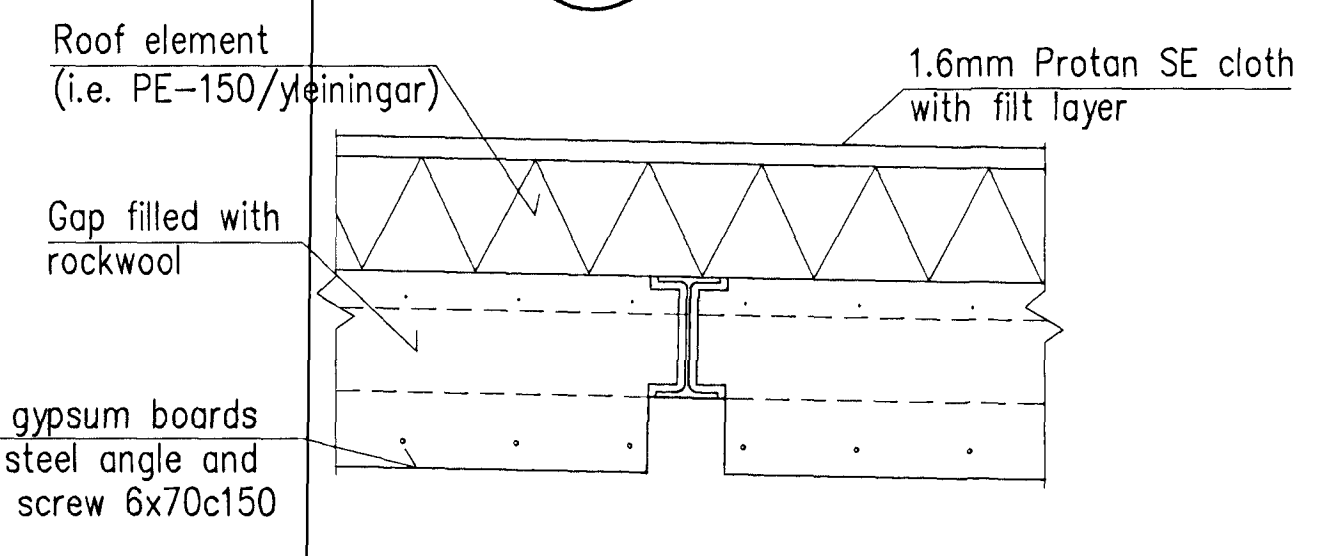
D10 281 DETAIL



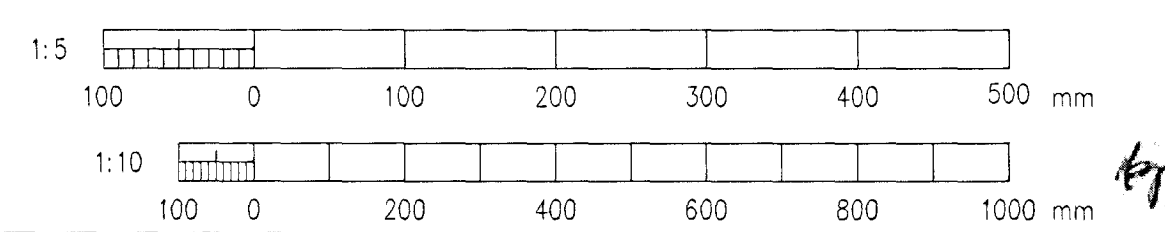
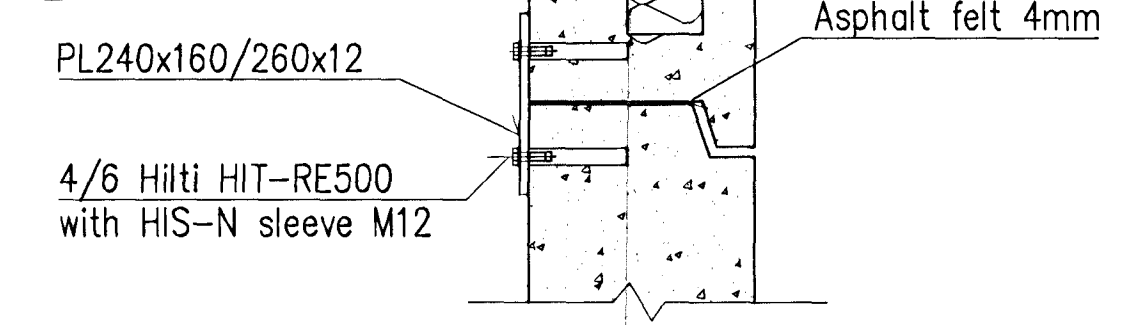
D11 281 DETAIL



F SECTION



D5a 281 DETAIL



Skýringar Legend:

All detailing for walls and roofelements not shown on the drawing shall be according to manufacturers instructions and approved by the engineer.
 Hilti sleeves should be placed in wide holes with spacers so that it is no chance of an electrical connection between sleeve and reinforcement in the wall elements or slab.

14	As Built	Lýsing Description	Dagsetning Date	GMG	NI	84	84	84
14	As Built	Lýsing Description	Dagsetning Date	GMG	NI	84	84	84

This drawing is the property of Rio Tinto Alcan Iceland Ltd. and handed out for personal use only. It may neither be copied nor made available to others without permission of Rio Tinto Alcan Iceland Ltd. The receiver is liable for any misuse.

Starfr. Formst. A1 Mkv. 1:5, 1:10
 Dimensions without tolerances according to ISO 2768-1 medium.

14	As Built	Lýsing Description	Dagsetning Date	GMG	NI	84	84	84
----	----------	--------------------	-----------------	-----	----	----	----	----

HRV & HATCH
 JOINT VENTURE
 ISAL PRODUCTION OPERATOR

Dagsetning / Date: 2009.01.08
 Hinnnað / Designed: AFV
 Tekni / Drawn: AFV
 Tæklaði / Supplier: HRV
 Teken nr. verkataka / Supplier draw no.: IDP-410-CO-073-283
 Samþykkt / Approved: NI
 Húti af / Part of:

IPU 410 - SUBSTATION
 PL3 - BOOSTER BUILDING
 WALLS, DETAILS & SECTIONS
 FORMWORK

Flokkur nr.: Blað nr.: Næsta bl. nr.:
 4011 16784
 Kætt. nr. - Cóno. / Blán. nr. - Eqno
 AKS UB136
 Teken nr. ISAL / Drönn. of ISAL Breyt./Rev.
 251310 A
 ISAL, Yfirráð og skráð. dags / ISAL Checked, date
 ISAL, Sambýkt, dags / ISAL Approved, date