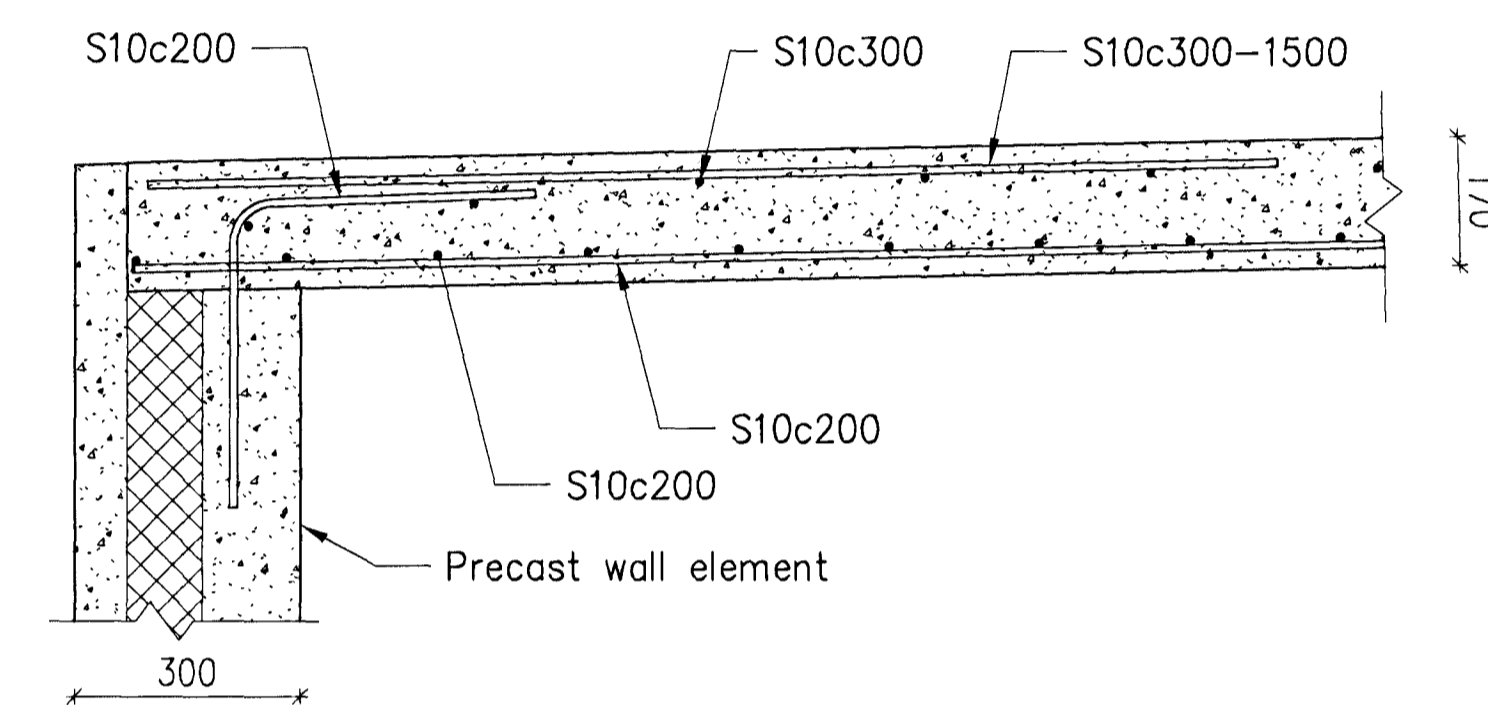
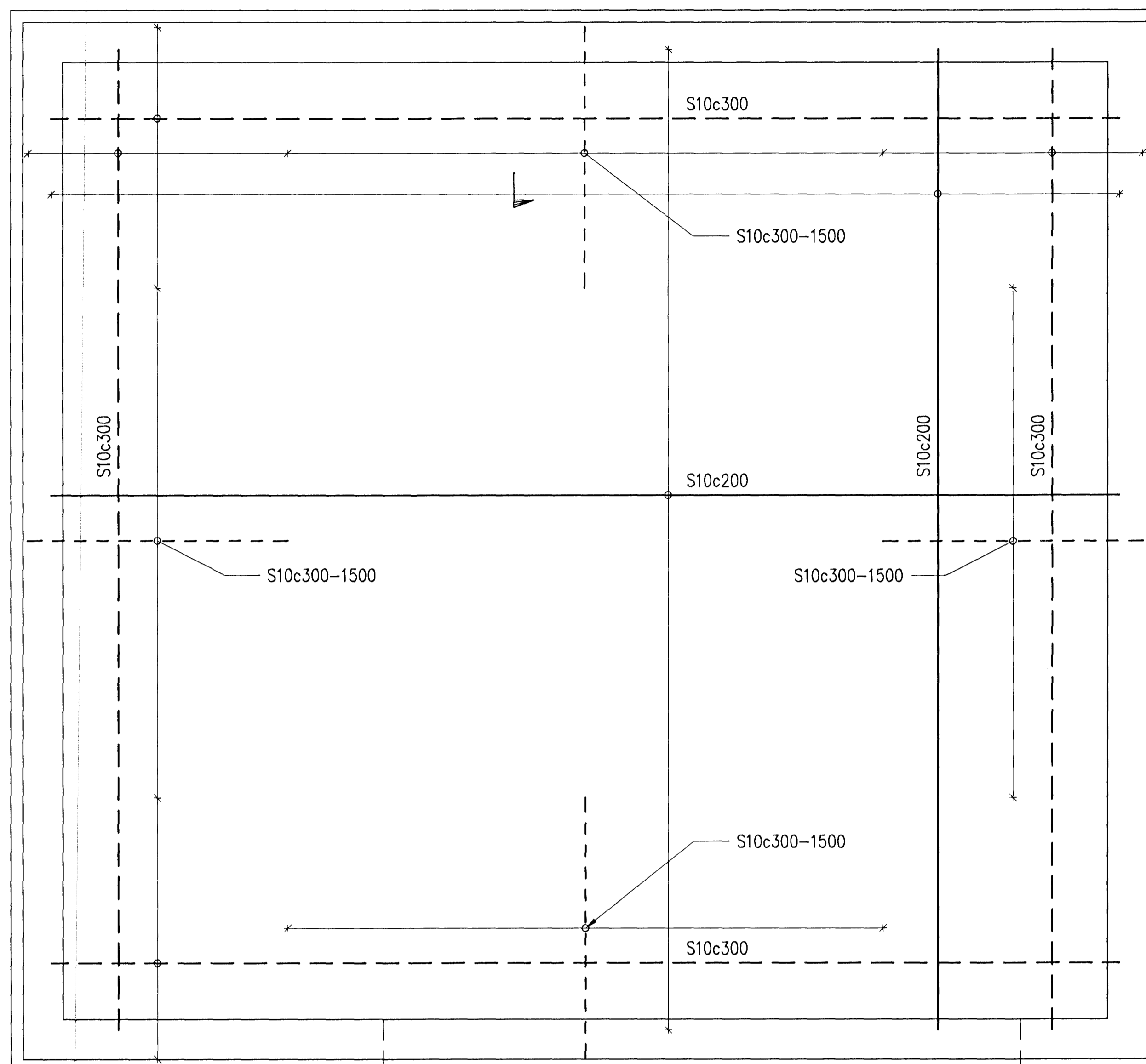


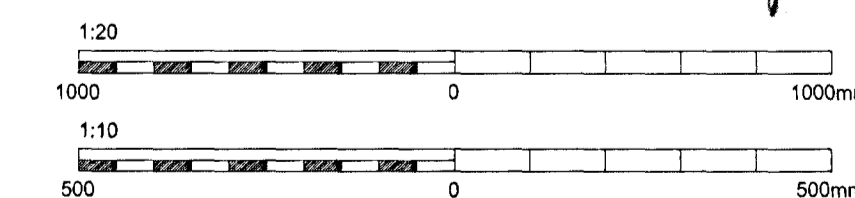
Nick Indriðason
 Kt. 181144-3949 NI



3 SECTION
 1:10

G1

PLAN, 1:20



Skýringar:
 Legend:

Dagsetning / Date	Handað / Designed	Tekn / Drawn	Verktaki / Supplier	Tekn.nr.verktaka / Supplier drw.no.	Samþykkt / Approved	Yfir / Chkd	Húti of / Part of:
2012.02.16	CMG	NI	FH	IS-222	NI	Hjt	
4	As Built						

This drawing is the property of Rio Tinto Alcan Iceland Ltd. and handed out for personal use only. It may neither be copied nor made available to others without permission of Rio Tinto Alcan Iceland Ltd. The receiver is liable for any misuse.



Dagsetning / Date: 2010.05.28
 Formað / Designed: HFB
 Tekn / Drawn: AFV
 Verktaki / Supplier: HRV
 Tekn.nr.verktaka / Supplier drw.no.: ICC-212-CA-517-031
 Samþykkt / Approved: NI
 Húti of / Part of:

IPU 212
 SUBSTATION 61
 ROOF - PLAN AND SECTION
 Teg.teikningar / Dwg. type: REINFORCEMENT
 ISAL Tekn.nr. ISAL / Drw.no. of ISAL: 260555
 Breyt./Rev.: A