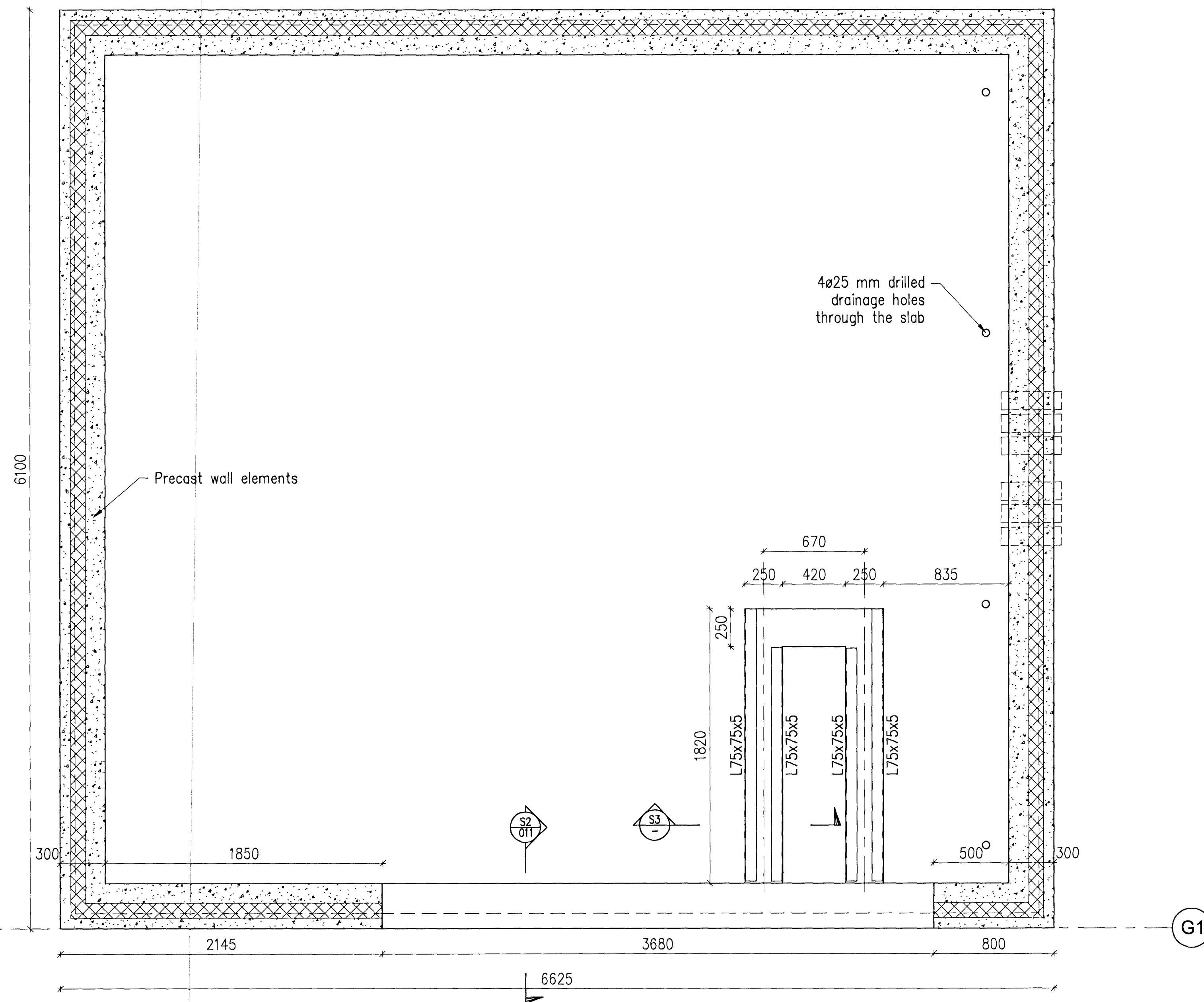
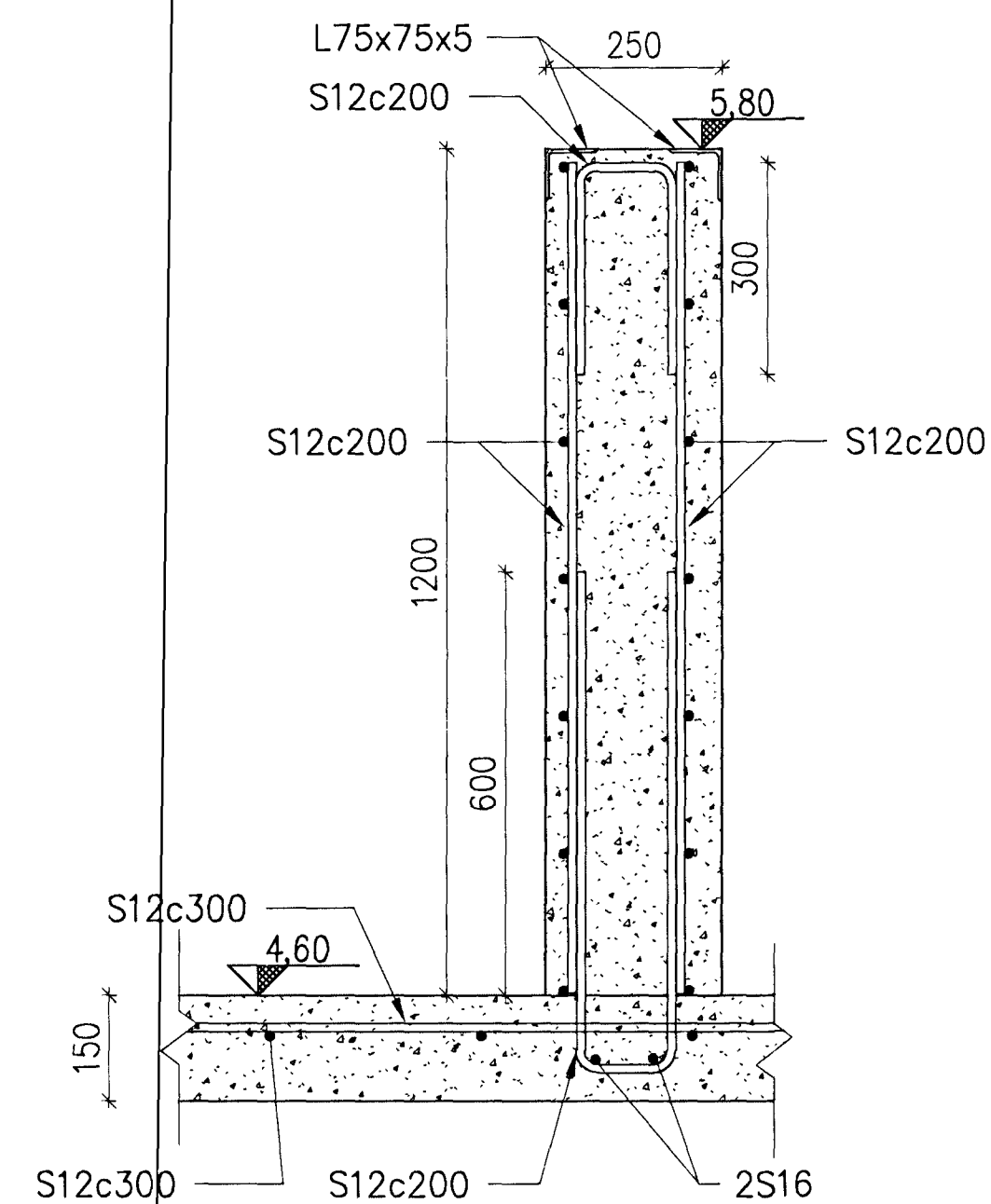


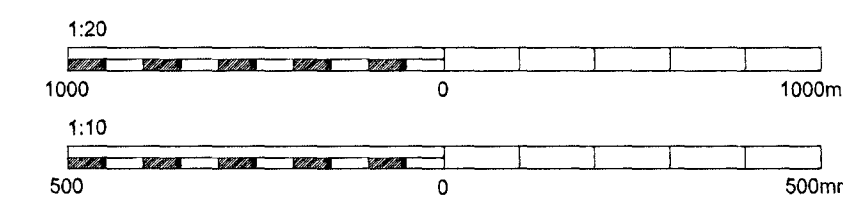
Níels Indriðason  
 Kt. 181144-3949



PLAN, LEVEL 5.80, 1:20



S3 SECTION  
 1:10



Skýringar:  
 Legend: Precast elements see vendor drawings.

Stig nr / Rev. no.	Lýsing / Description	Dagsetning / Date	GMG	AFV	FH	HLF	NOK	HLF	NOK
4	As Built	2012.02.16	GMG	AFV	FH	HLF	NOK	HLF	NOK

This drawing is the property of Rio Tinto Alcan Iceland Ltd. and handed out for personal use only. It may neither be copied nor made available to others without permission of Rio Tinto Alcan Iceland Ltd. The receiver is liable for any misuse.

Start: A1 Mkv: 1:20, 1:10  
 Format: A1 Scale: 1:20, 1:10  
 Dimensions without tolerances according to ISO 2768-1 medium.



Dagsetning / Date: 2010.05.28  
 Hamað / Designed: HFB  
 Teikn / Drawn: AFV  
 Verktaki / Supplier: HRV  
 Tekn.nr. verktaka / Supplier drw. no.: ICC-212-CA-517-021  
 Samþykkt / Approved: AFV  
 Húli af / Part of: HJH

IPU 212  
 SUBSTATION 61  
 WALLS - PLAN AND SECTION  
 REINFORCEMENT

Flakkur nr.: 4011  
 Blað nr.: 16940  
 Kostn.nr.-Cena. / Búmr.-Eq.no.: 260554  
 AKS UB61  
**RioTinto Alcan**  
 ISAL Yfirfarið og skráð, dags / ISAL Checked, date  
 ISAL Samþykkt, dags / ISAL Approved, date