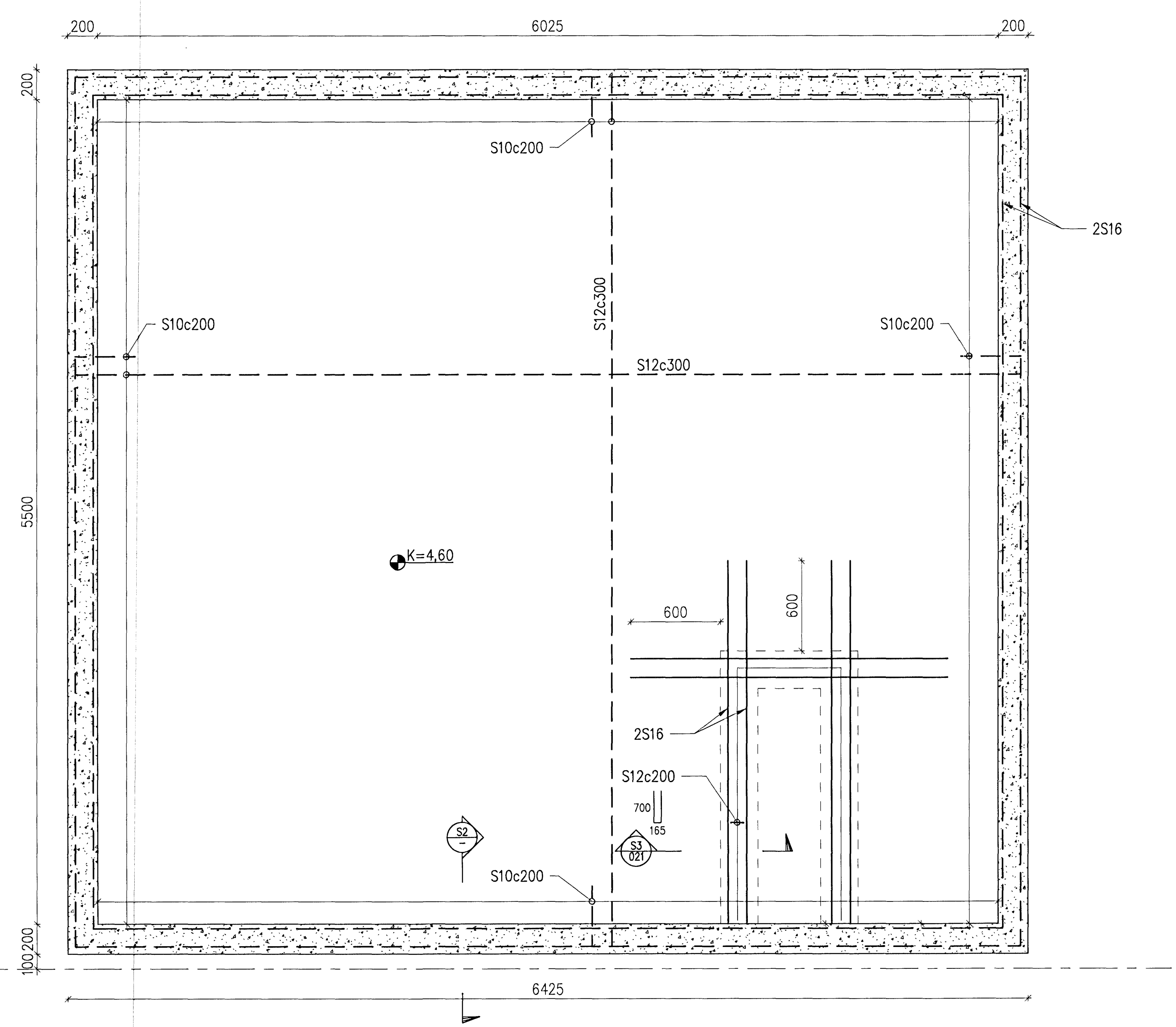
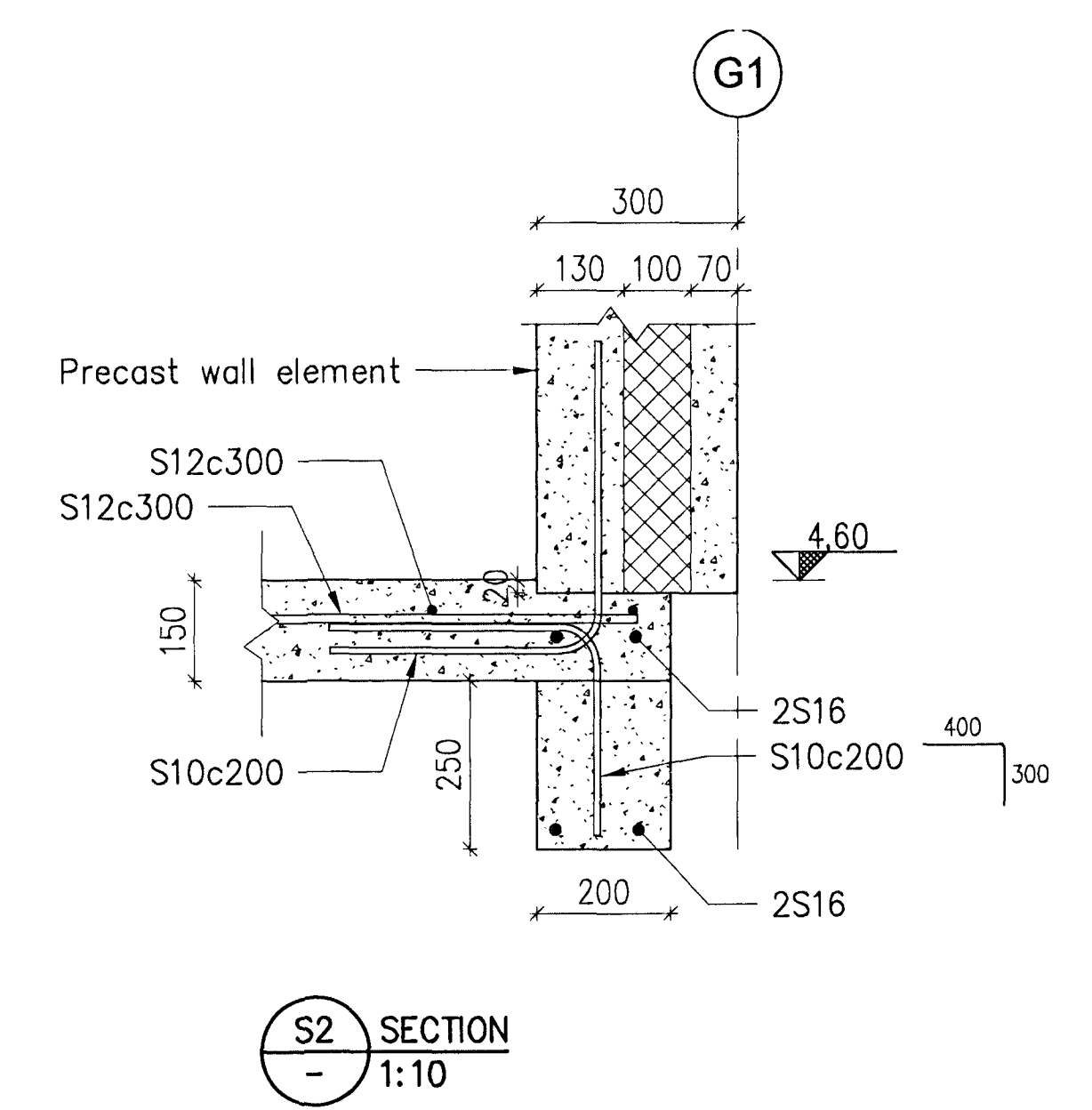


Samþykkt þann
 02 OCT 2012
 Byggingaferlinna ÍH-erf. hf.
 Fh. Sigurður Steinar Jónsson

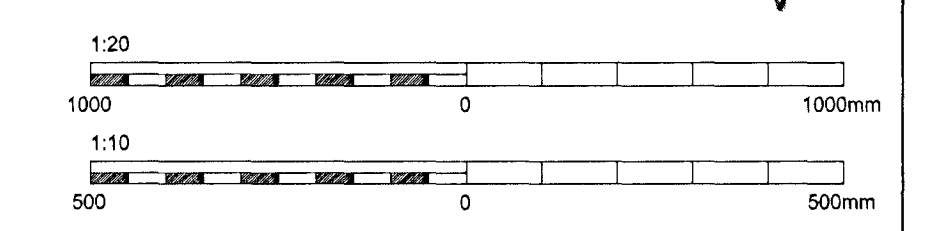
Níels Indriðason
 Kt. 181144-3949 NI



PLAN, 1:20



S2 SECTION
 1:10



| | | | | | | | | | | | | | | | | | | |
|----------------------|--|-------------------|--------------------------|--------------------|---|------------------|---------------|---|---|---|--|--|--|--|--|--------------|-----------|----------------|
| Skýringar: Legend | This drawing is the property of Rio Tinto Alcan Iceland Ltd. and handed out for personal use only. It may neither be copied nor made available to others without permission of Rio Tinto Alcan Iceland Ltd. The receiver is liable for any misuse. | | | | | | | | | | | Dagsetning / Date 2010.05.28 | | IPU 212 | | Flokkur nr.: | Blað nr.: | Nesta bl. nr.: |
| | Formát: A1 | | Mkv. / Scale: 1:20, 1:10 | | Tækn. nr. / Tekn. / Supplier: HFB / AFV | | SUBSTATION 61 | | Kostn. nr. - Cóm. / Bgn. nr. - Eq. no: 4011 / 16940 | | | Verktaki / Supplier: HRV | | Tag. teikningar / Dwg. type: REINFORCEMENT | | AKS UB61 | | |
| 4 As Built | | 2012.02.16 | | GVG | | NI FH | | Tækn. nr. verktaka / Supplier drw. no. ICC-212-CA-517-011 | | ISAL Alcan Iceland Ltd. Straumvik IS-222 Hafnarfordur Iceland | | Tækn. nr. ISAL / Drw. no. of ISAL: 260553 | | Breyt./Rev: A | | | | |
| Útg. nr. / Rev. no. | | Dagsetning / Date | | Höf./Bn. Des./Drw. | | Yfir. / Chk. HJH | | Hluti af. / Part of: | | ISAL Yfirfarið og skráð. dags. / ISAL Checked, date | | ISAL Samþykkt, dags. / ISAL Approval, date | | | | | | |