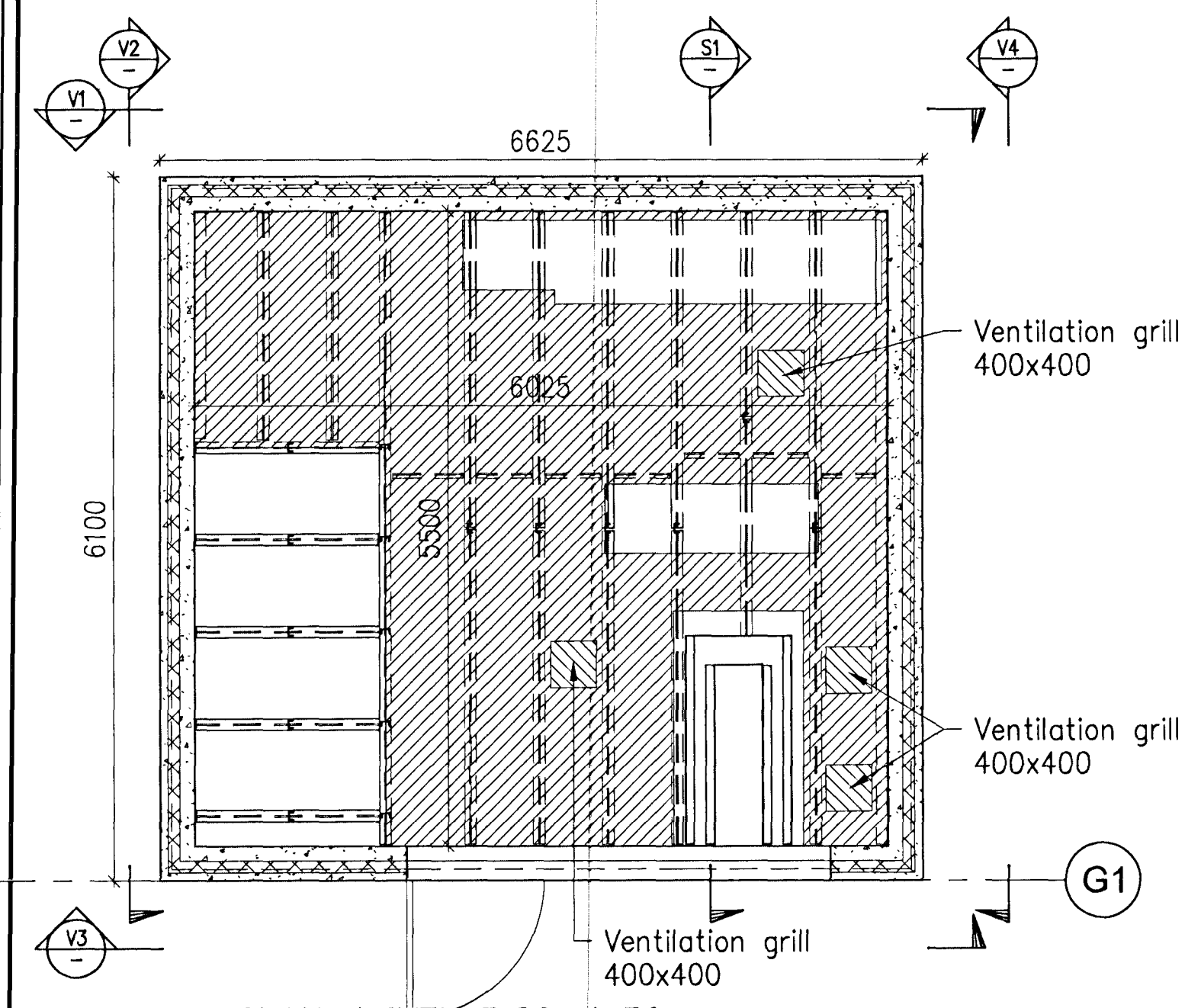


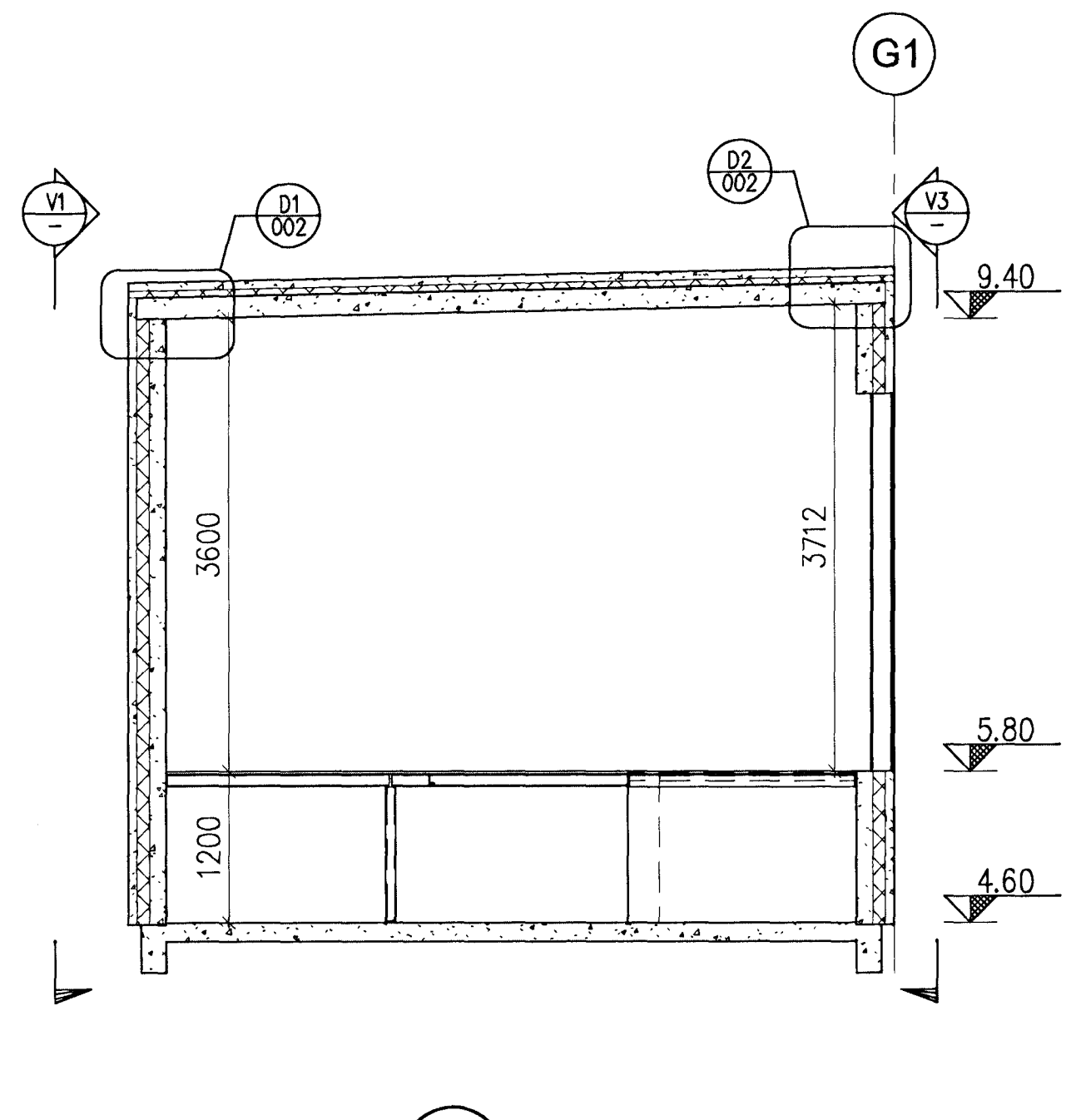
1203197

Samþykkt þann  
 02 OCT 2012  
 Byggingafræðingur / Höfundur  
 F.H. Sigurður Steinur Jónsson

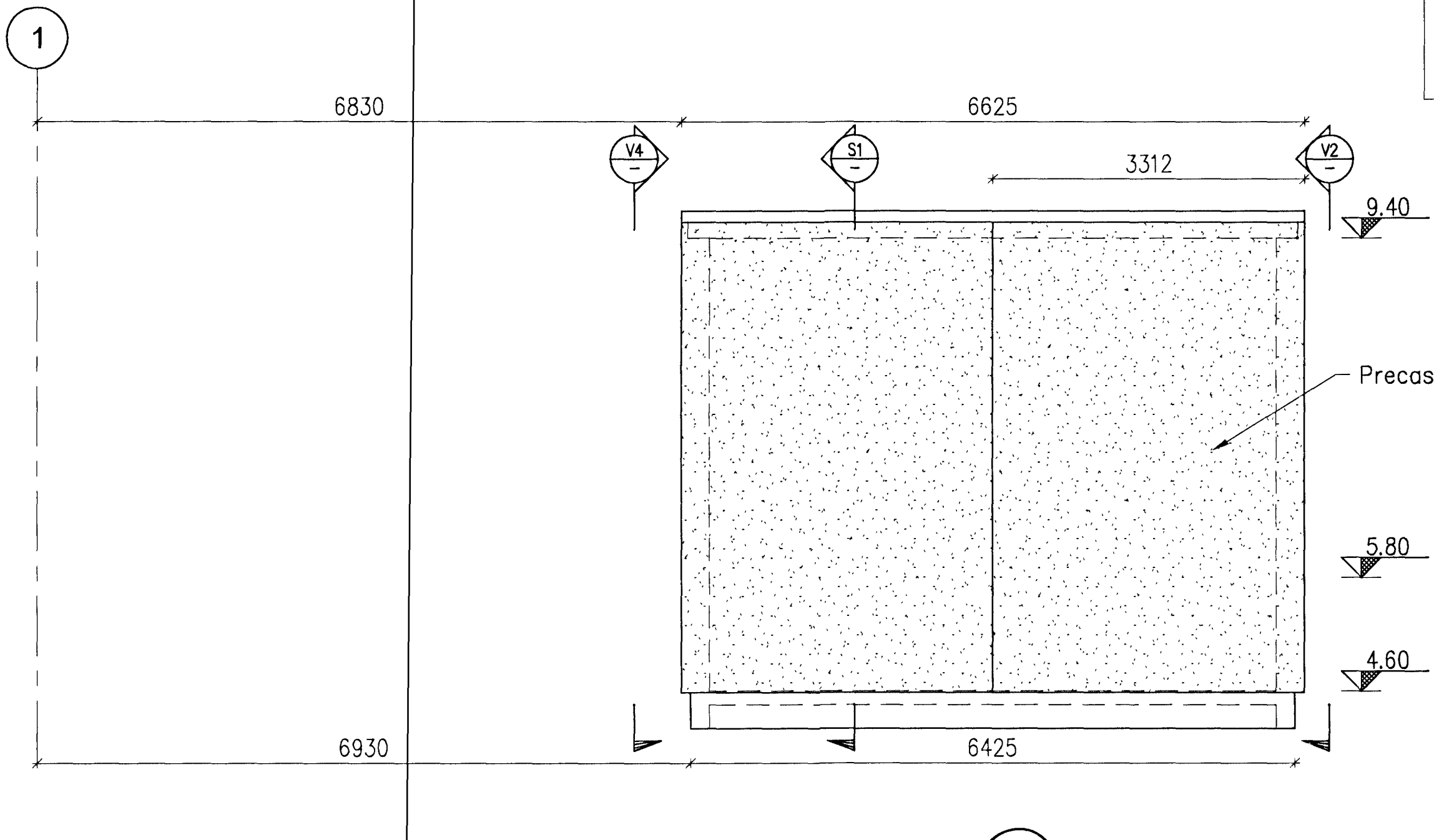
Nick Indriðsson  
 Kt. 181144-3949 NI



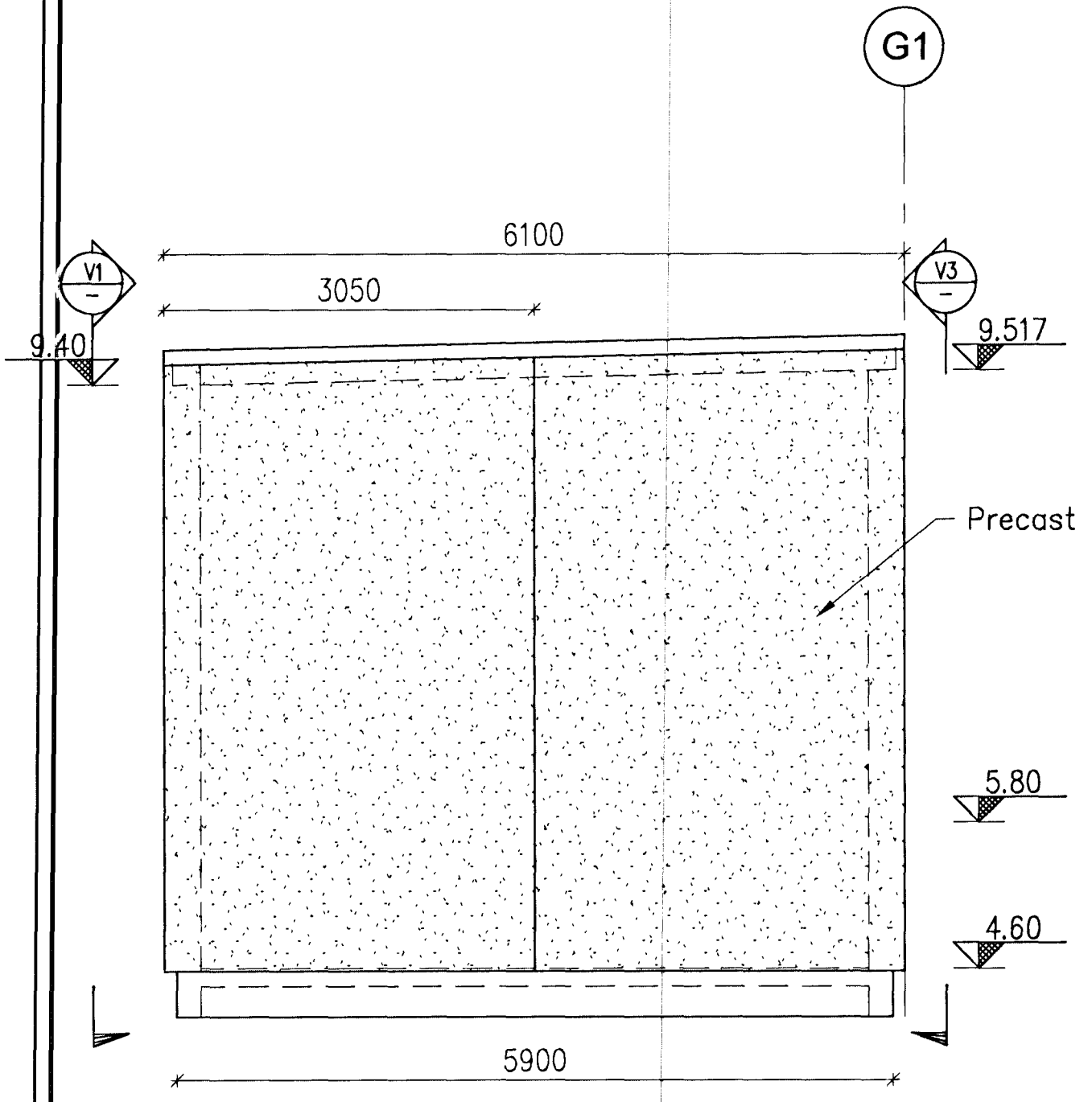
PLAN, LEVEL 5.80, 1:50



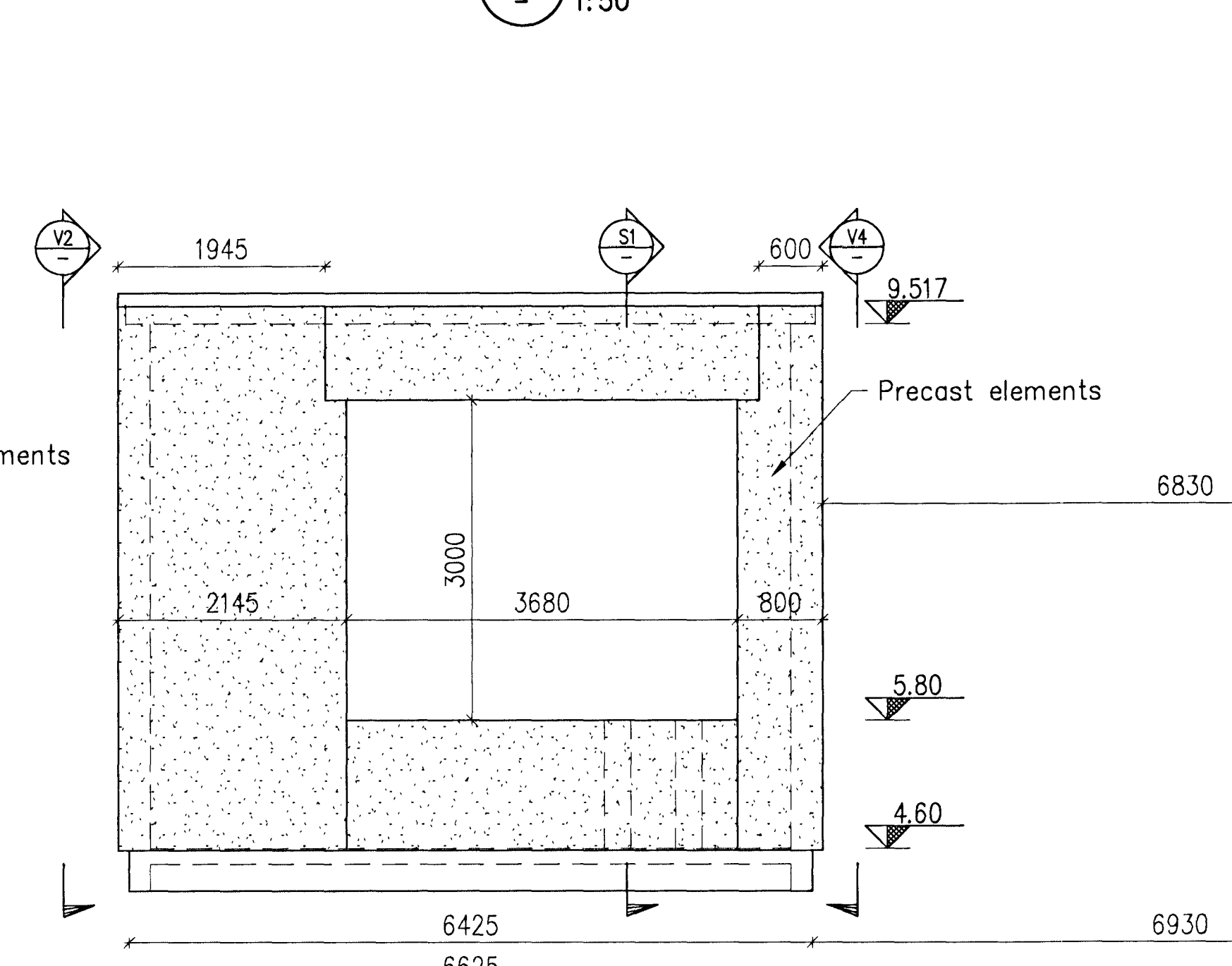
SECTION 1:50



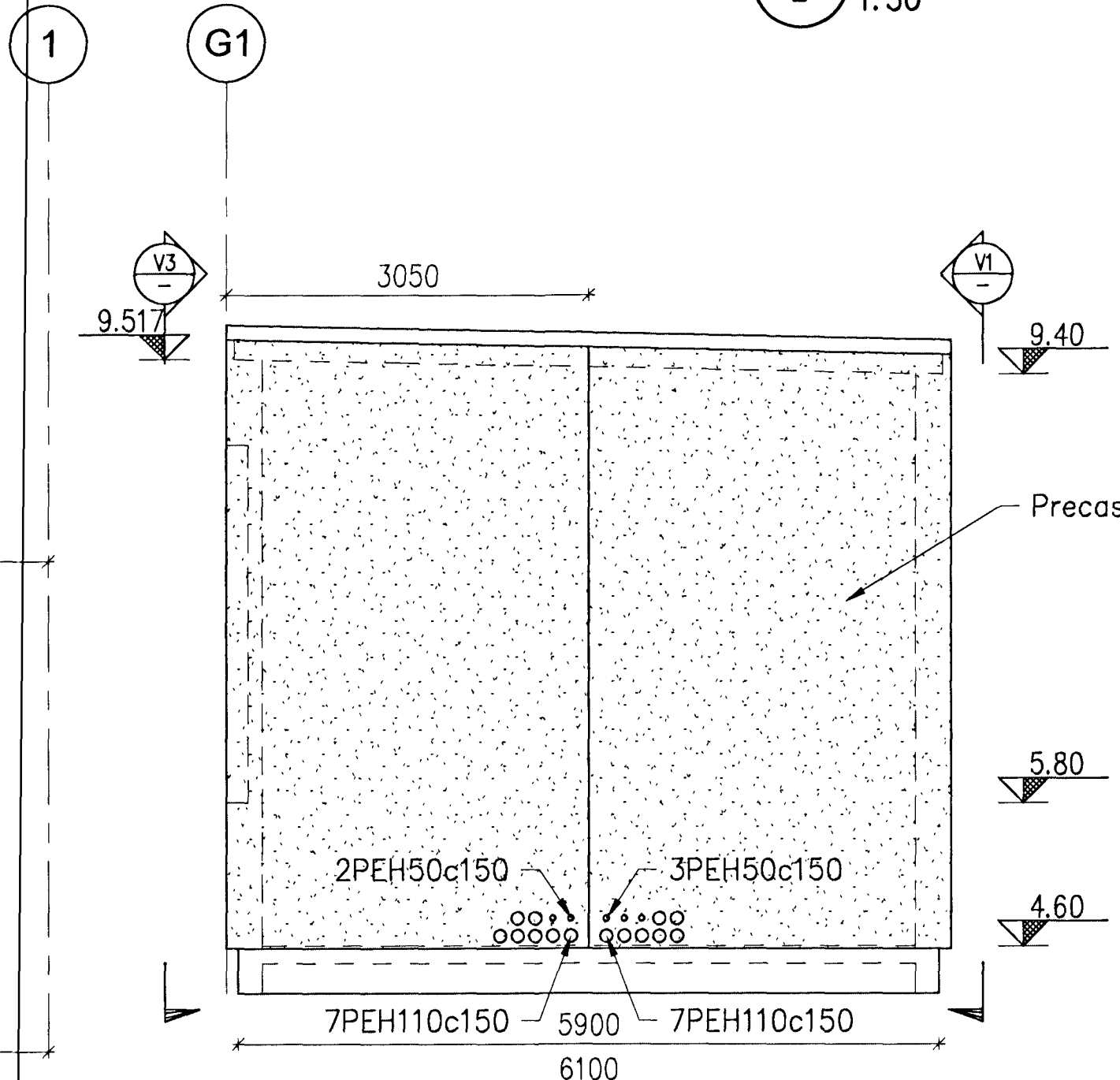
VIEW 1:50



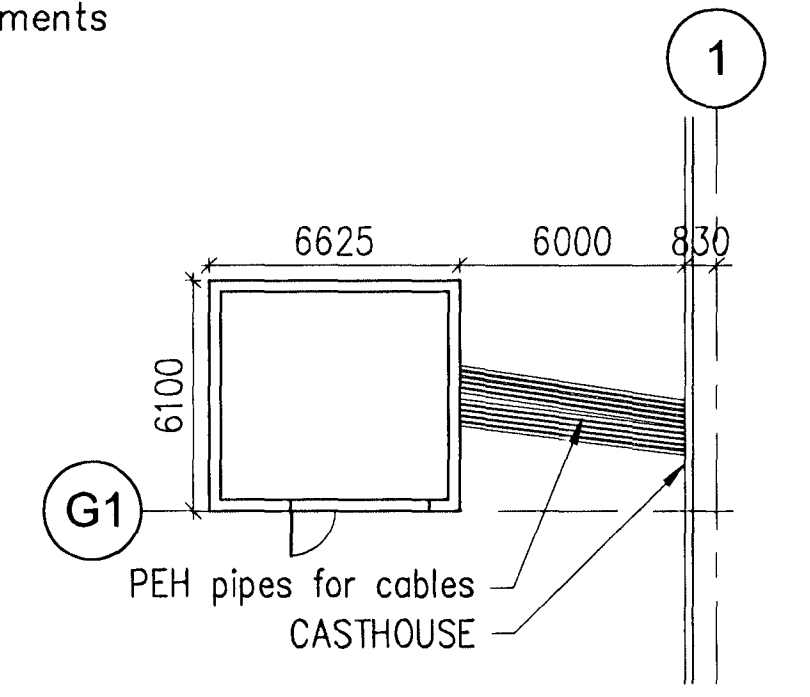
VIEW 1:50



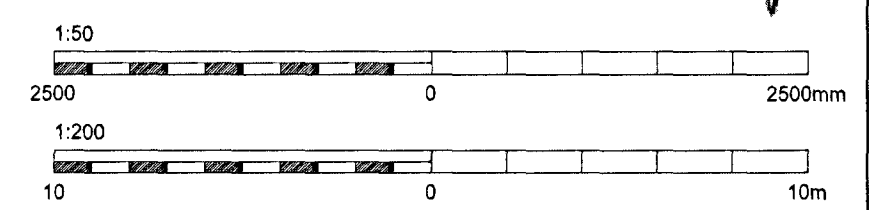
VIEW 1:50



VIEW 1:50



PLAN, 1:200



Skýringar: Legend: Precast elements see vendor drawings.					This drawing is the property of Rio Tinto Alcan Iceland Ltd. and handed out for personal use only. It may neither be copied nor made available to others without permission of Rio Tinto Alcan Iceland Ltd. The receiver is liable for any misuse.		Dagsetning / Date: 2010.05.28		IPU 212 SUBSTATION 61 PLAN AND SECTION		Flökkur nr.: Blað nr.: Nasta blinn.: 4011 16940	
					Start: A1 Mkv.: 1:50/200 Dimensions without tolerances according to ISO 2768-M medium.		Hinn höf. / Designed: HFB AFV Verktaki / Supplier: HRV		Teg. teikningar / Dwg. type: GENERAL BUILDING LAYOUT		Kostn.nr.-Cena. / Búrn.nr.-Eq.no: AKS UB61	
				5 As Built 2012.02.16 CMG NI FH		Telkn.nr.verktaka / Supplier drw.no.: ICC-212-CA-517-001 Sími / Approved: NI Yrfr / Chkd: HJH		RioTinto Alcan		Telkn.nr. ISAL / Drw.no. of ISAL: 260551 Breyt./Rev.: A		
				10m		Húti of. / Part of:		ISAL Yfirráð og skráð. dags. / ISAL Checked, date		ISAL Samþykkt, dags. / ISAL Approved, date		