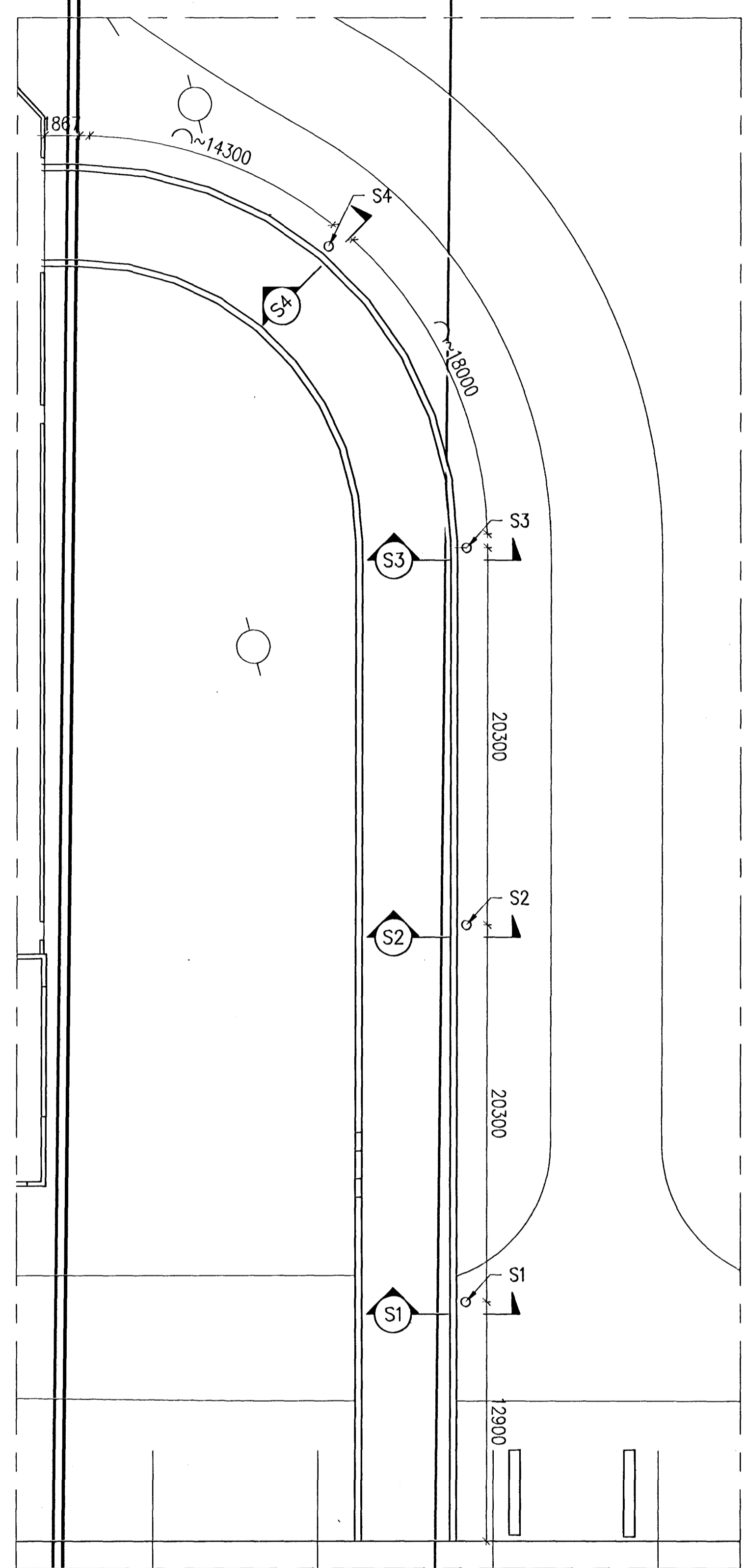


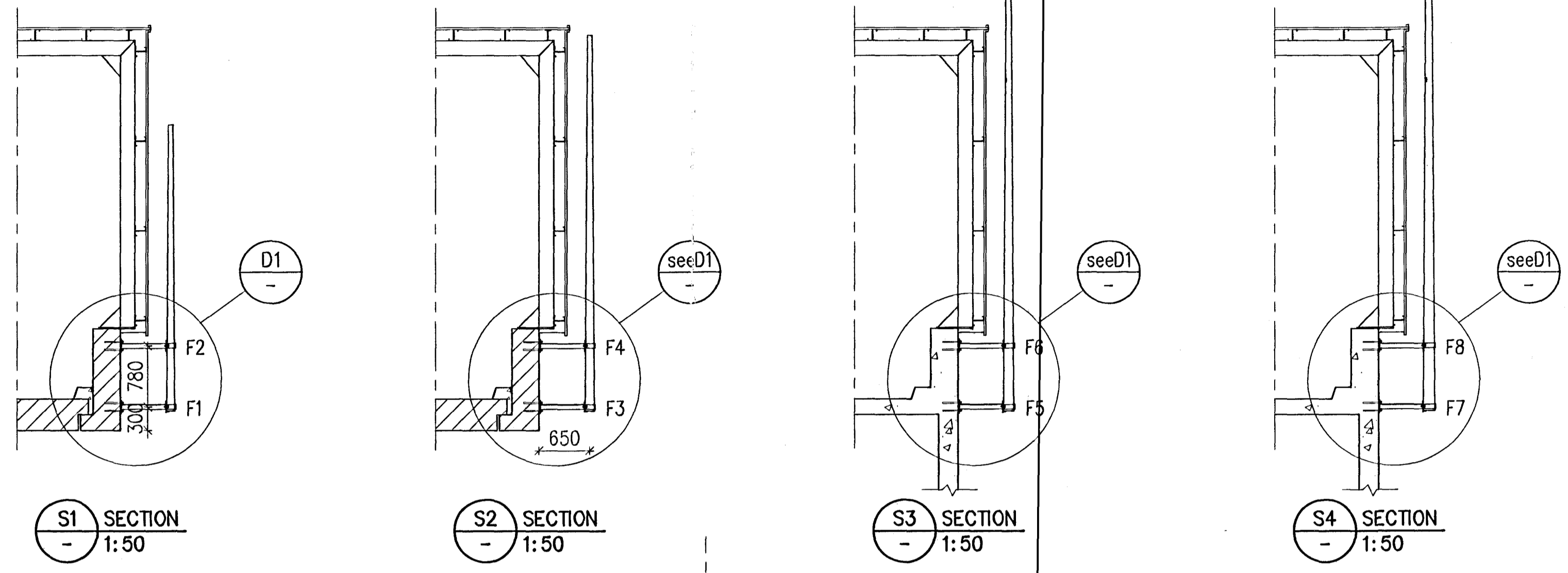
Byggingarfræðingur /  
Fh. Sigurður Steinar Háttar  
02 OCT 2012  
Sampykkt þann

Níðri Indriðsson  
Kt. 181144-3949 NI

Conical tube  
60/145x4x7100



RAMP 1- PLAN VIEW, 1:200

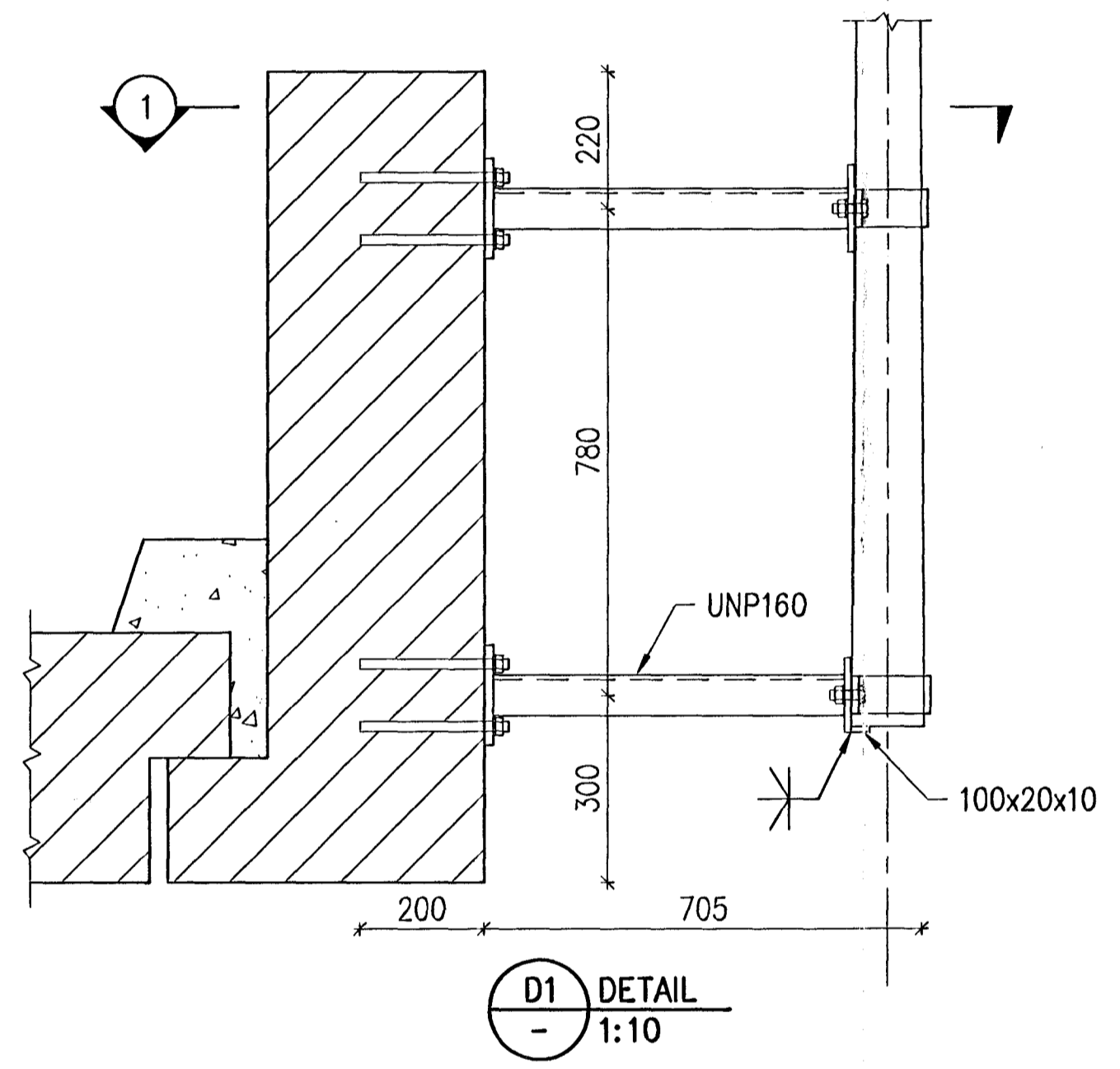


S1 SECTION  
1:50

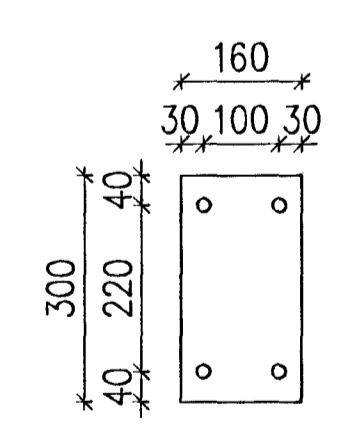
S2 SECTION  
1:50

S3 SECTION  
1:50

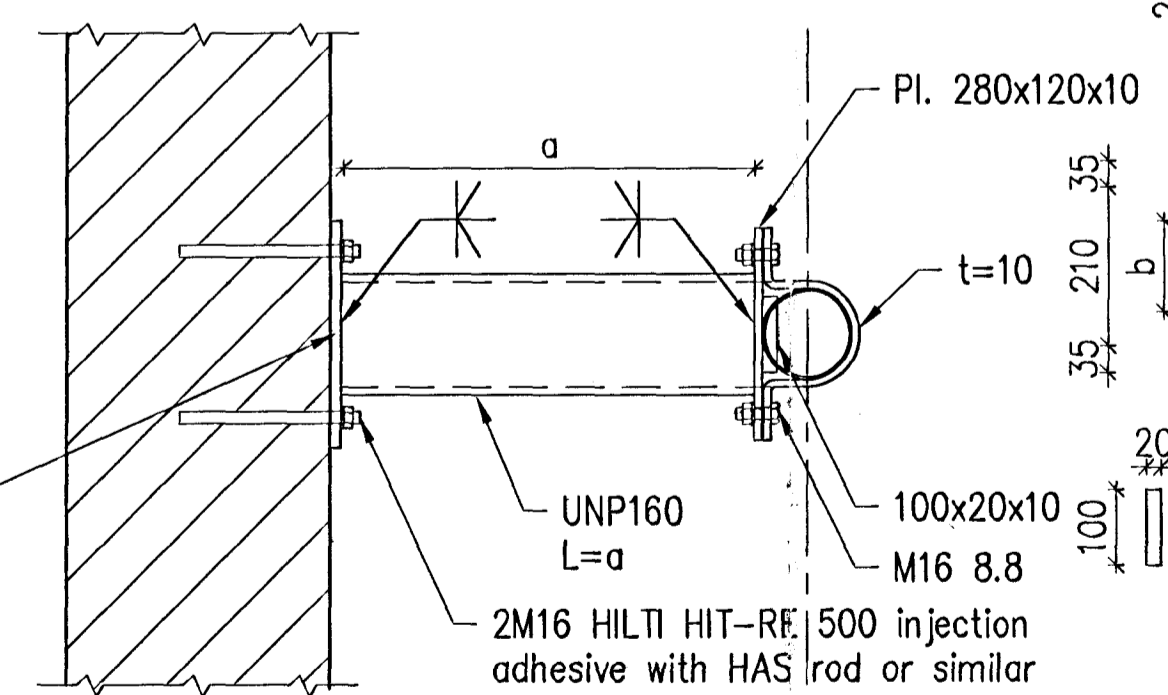
S4 SECTION  
1:50



D1 DETAIL  
1:10



PI. 300x160x15

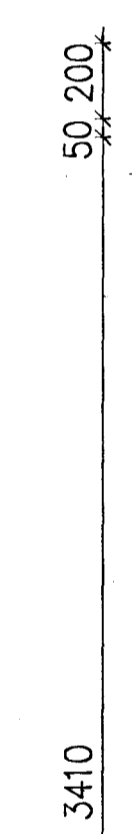


1 SECTION  
1:10

	a	b	c
F1	573	104	102
F2	578	95	93
F3	566	118	116
F4	571	109	107
F5	558	134	132
F6	553	125	123
F7	552	146	144
F8	547	137	135

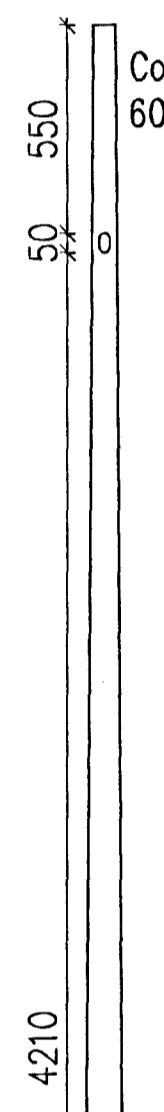
This dimensions are calculated on the basis that the poles diameter at top is 60mm and increases 12mm/m down the pole. If this does not fit, the dimensions must be changed accordingly.

Conical tube  
60/104x4x3660



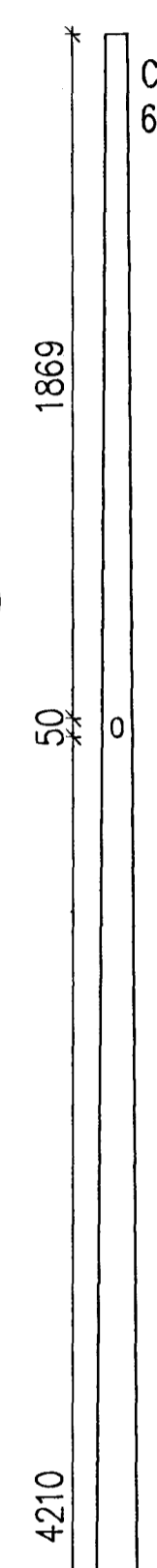
S1, 1:20

Conical tube  
60/118x4x4810



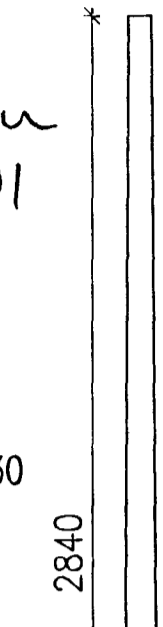
S2, 1:20

Conical tube  
60/134x4x6130

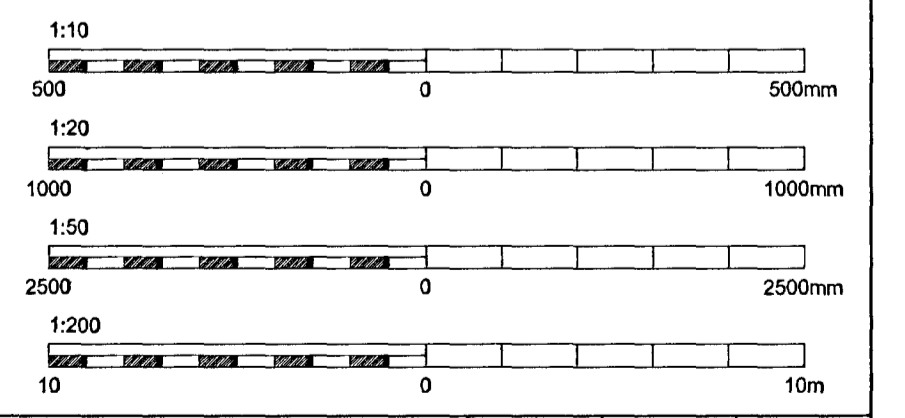


S3, 1:20

Conical tube  
60/145x4x7100



S4, 1:20



Skýringar: All steel parts shall be hot dip galvanized and painted, C5-M according to IST EN ISO 12944-5.  
Legend:

C:\DP\03\100\600\Castings\600 Drawings\Civil\CC-611-ZA-541-627.dwg

Íg nr / Rev no	Ígning / Description	Dagsetning / Date	Ham/Na / Des/Drw	Yfir / Cld	Notk heim / Notk heim / Suppl Ral	ISAL Ral
2	Record Drawing	2012.07.23	HS	NI	IG	RA

This drawing is the property of Rio Tinto Alcan Iceland Ltd. and is loaned out for personal use only. It may neither be copied nor made available to others without permission of Rio Tinto Alcan Iceland Ltd. The receiver is liable for any misuse.  
Stærð / Form: A1  
Mkv. / Scale: 1:10/20/50/200  
Form: Dimensions without tolerances according to ISO 2768-1 medium.



Dagsetning / Date	2012.02.10
Hannað / Designed	HS
Tekn / Drawn	LDB
Verktaki / Supplier	HRV
Tekn.nr.verktaka / Supplier drwno.	ICC-611-ZA-541-627
Samþykkt / Approved	NI
Yfir / Chkd	NI
Hluti af / Part of:	

IPU-CASTHOUSE EXTENSION BUILDINGS, RAMPS		
RAMP 1		
LICHT POLE		
Flokkur nr. / Class no.	Blöð nr. / Sheet no.	Nasta bl. nr. / Next sheet no.
Kostn.nr.-Ceno. / Bgn.nr.-Eq.no.	5010	16957
Teg. teikningar / Dwg. type:	STEEL STRUCTURE	
Tekn.nr. / ISAL	ISAL	Tekn.nr. / ISAL
ISAL	ISAL	Breyt./Rev.
RioTintoAlcan	253553	A
ISAL Yfirfarð og skráð, dags / ISAL Checked, date		
ISAL Sampykkt, dags / ISAL Approved, date		