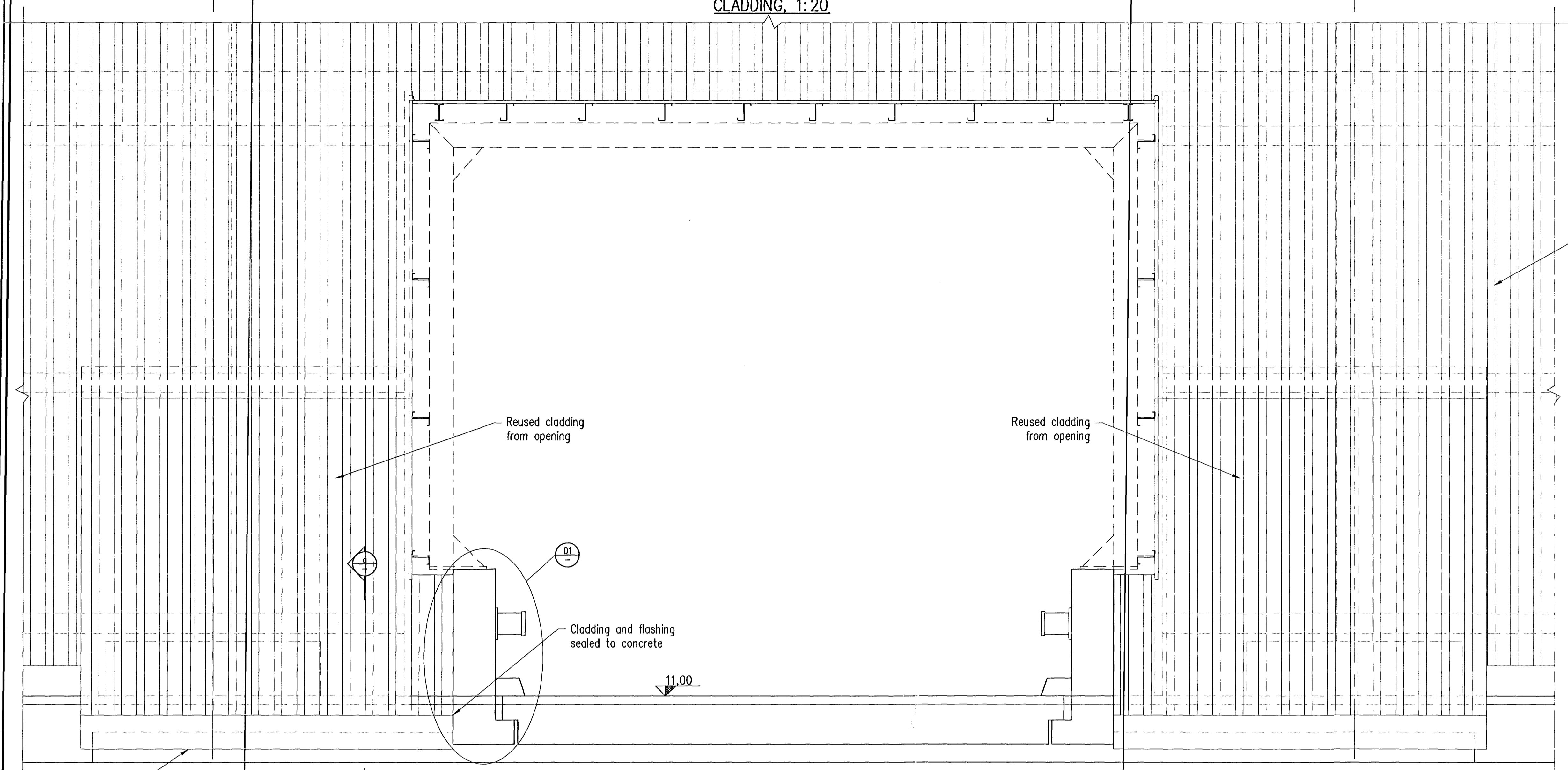


CLADDING, 1:20

Samþykkt
02 OCT 2012
Fláppingafulltrúiinn / Hafið
Elin Sigurður Einarsson

Níels Indriðason
Kt. 181144-3949
NI

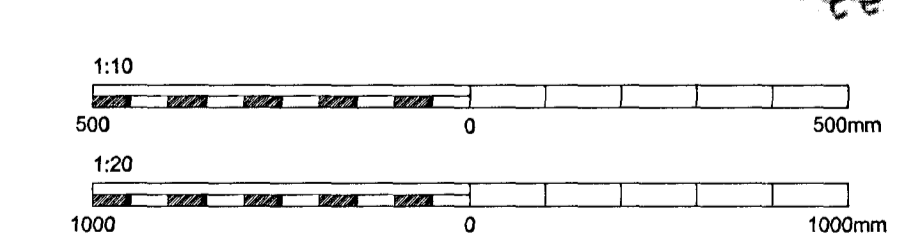
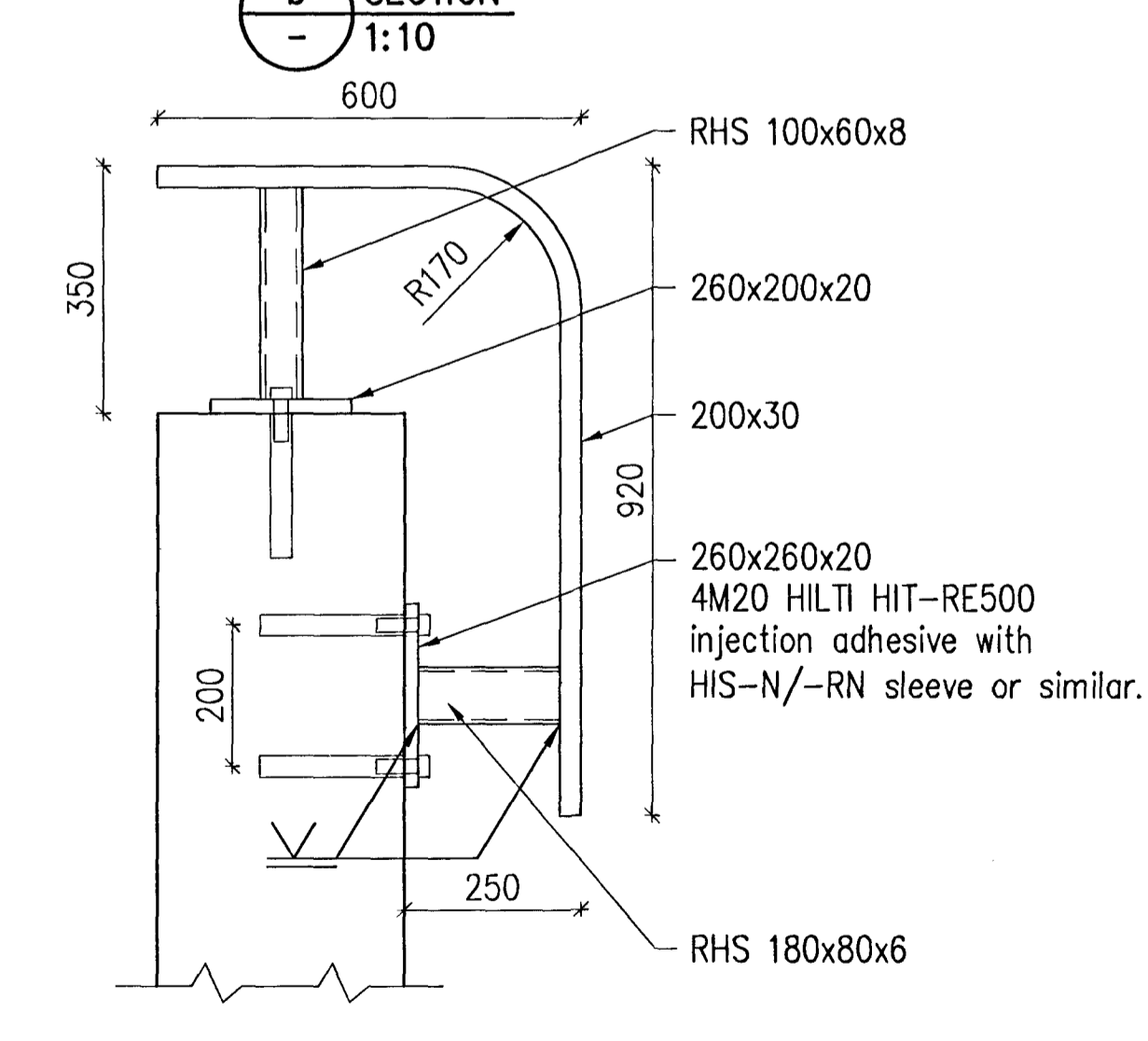
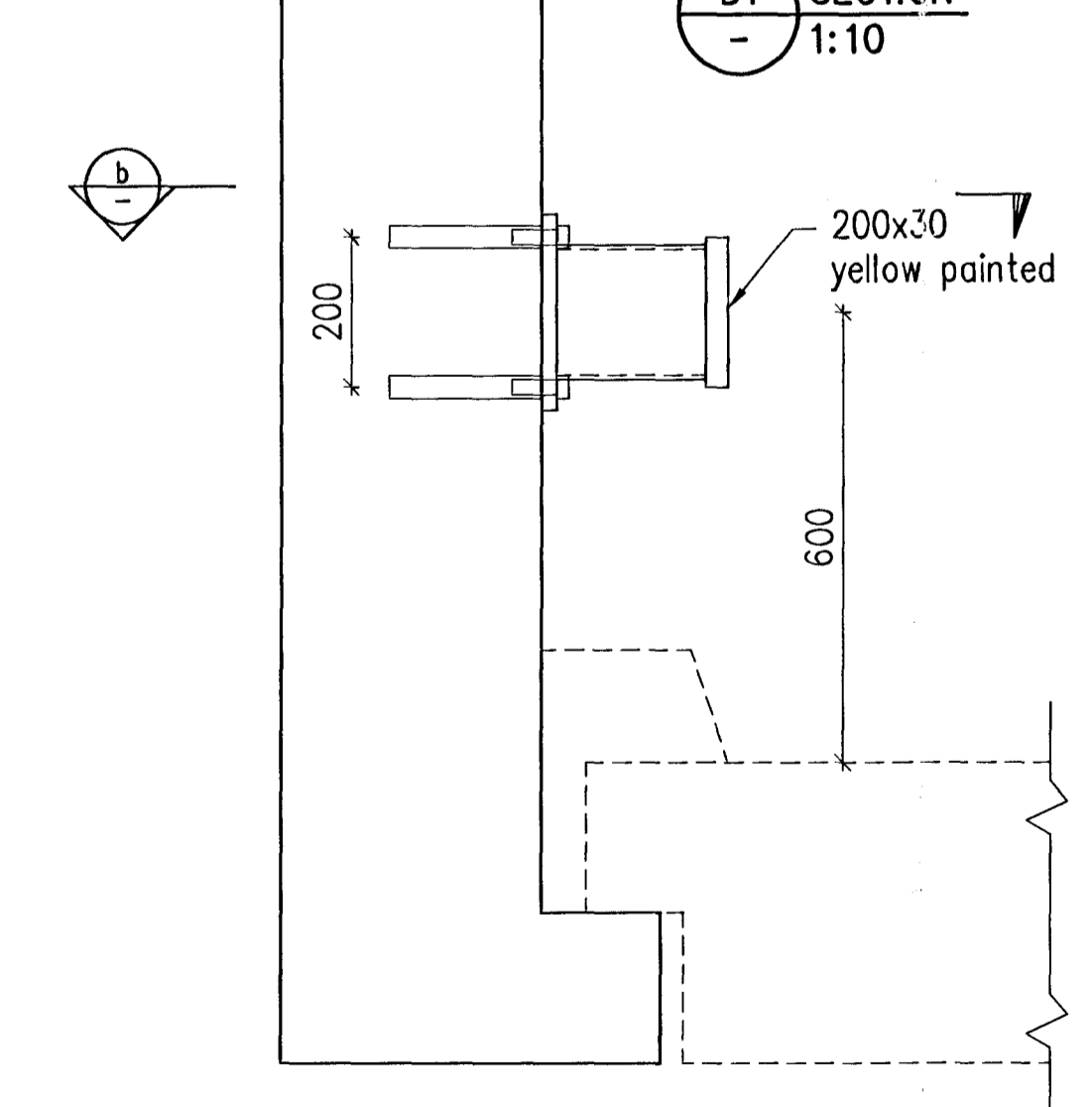
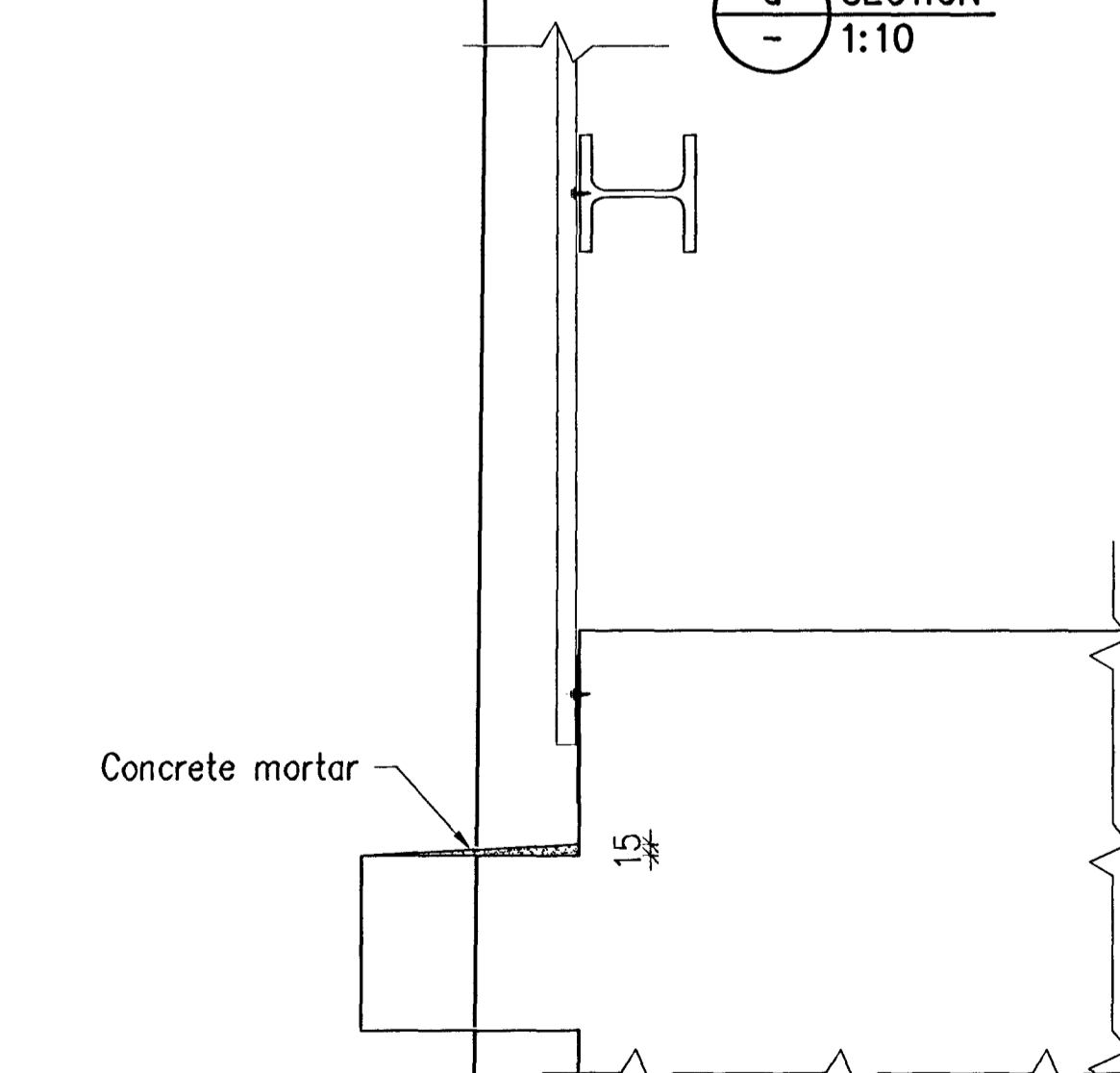
Wall of Potroom 1



a SECTION
1:10

D1 SECTION
1:10

b SECTION
1:10



Skýringar: Legend:	This drawing is the property of Rio Tinto Alcan Iceland Ltd. and handed out for personal use only. It may neither be copied nor made available to others without permission of Rio Tinto Alcan Iceland Ltd. The receiver is liable for any misuse.												Dagsetning / Date: 2012.01.19 Hönnuð / Designed: HS Tala / Drawn: LDB		IPU-CASTHOUSE EXTENSION BUILDINGS, RAMPS RAMP 1 POTROOM 1 CLADDING AND SHOCK BARRIER		Flokkur nr.: Blað nr.: 5010 16957	
	Stærð / Form: A1 Mkv.: 1:10/20 Mælingar / Dimensions without tolerances according to ISO 2768-1 medium.										Hvergi / Supplier: HRV Tölu nr. verkjaka / Supplier draw no.: ICC-611-ZA-541-626 Samþykkt / Approved: NI Yfir / Chkd: NI		Teg. teikningar / Dwg. type: STEEL STRUCTURE		ISAL Alcan Iceland Ltd Staunavík IS-222 Hafnarþorður Iceland		Tölu nr. ISAL / Drawn of ISAL: 253552 Breyt./Rev: A	
2 Record Drawing 2012.07.23 HS NI PE												ISAL Yfirfarð og skráð, daga / ISAL Checked, date		ISAL Samþykkt, daga / ISAL Approval, date				