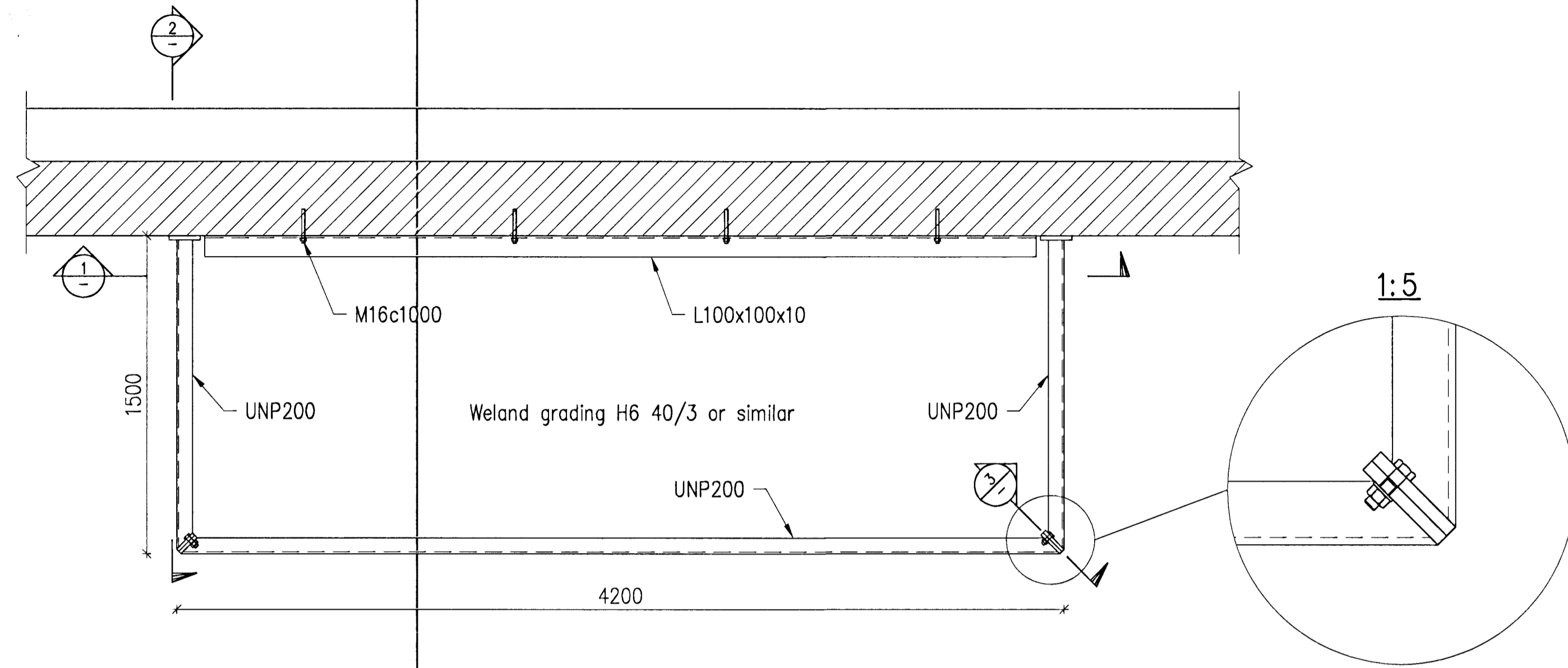
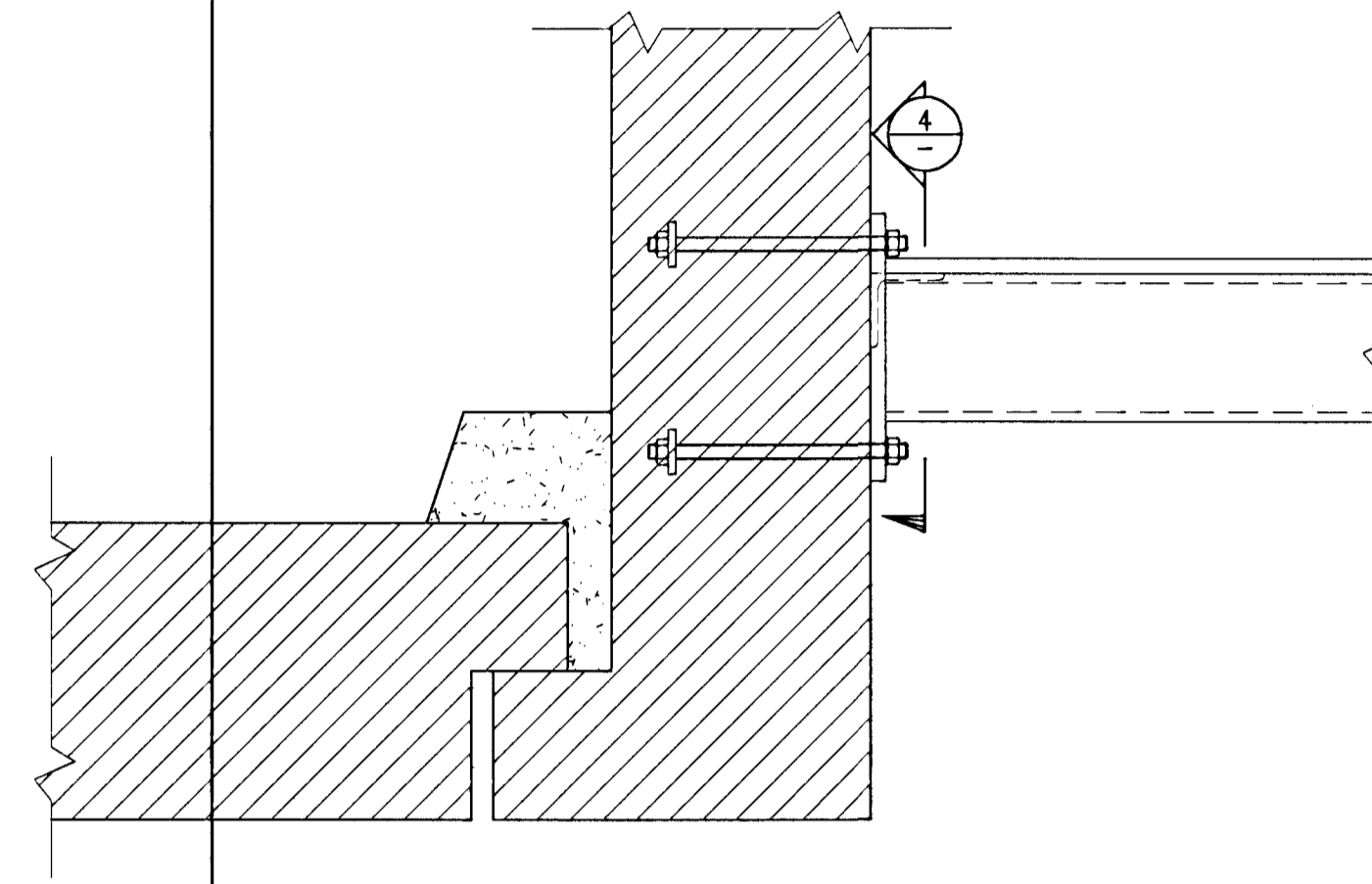


Níels Indriðason
 Kt. 181144-3949 NI

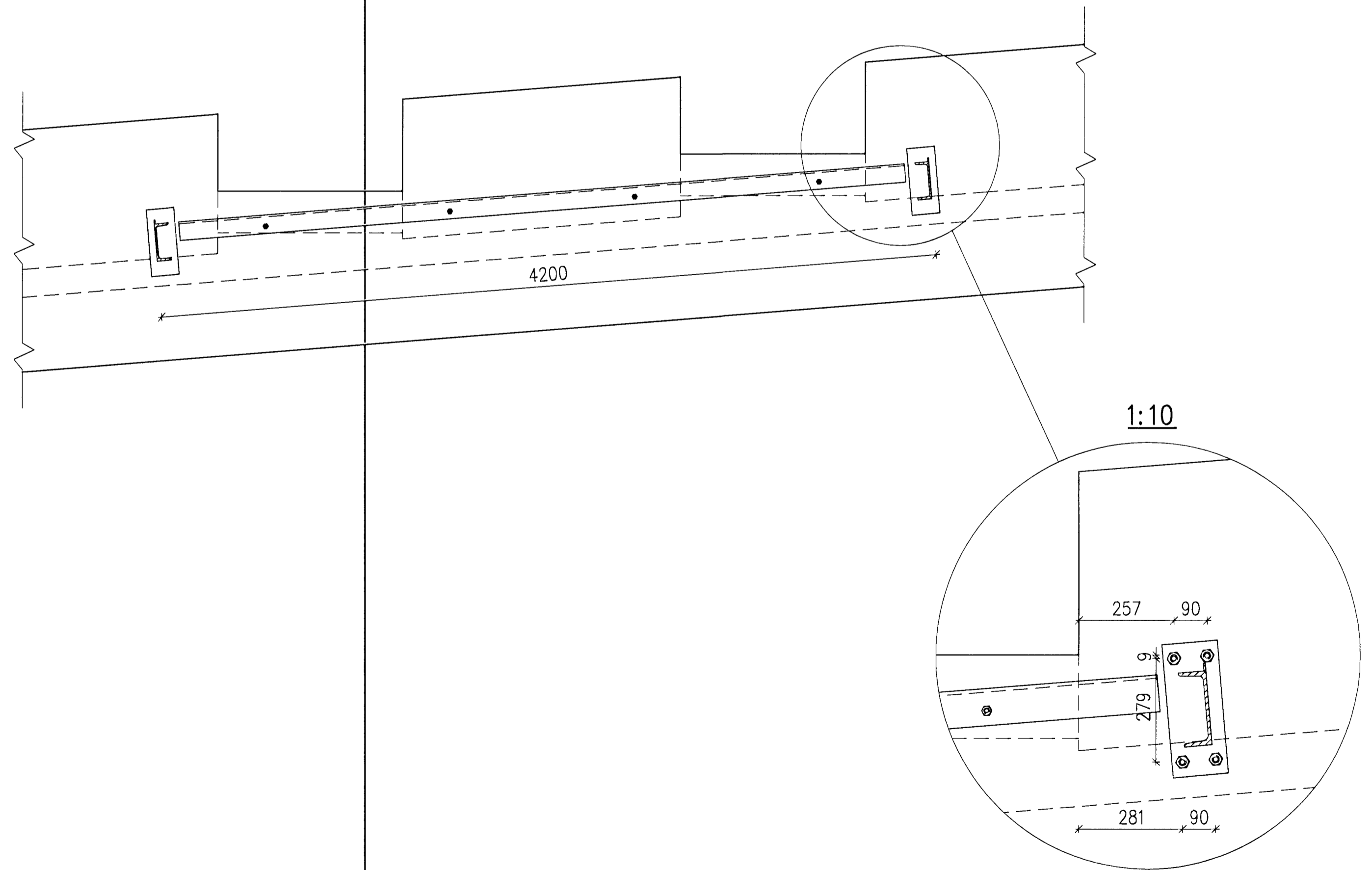
PLATFORM, 1:20



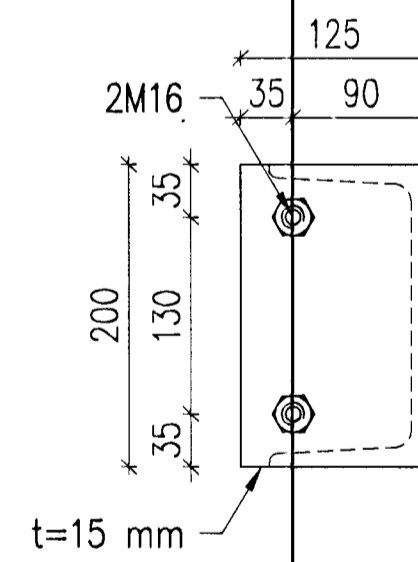
SECTION, 1:10



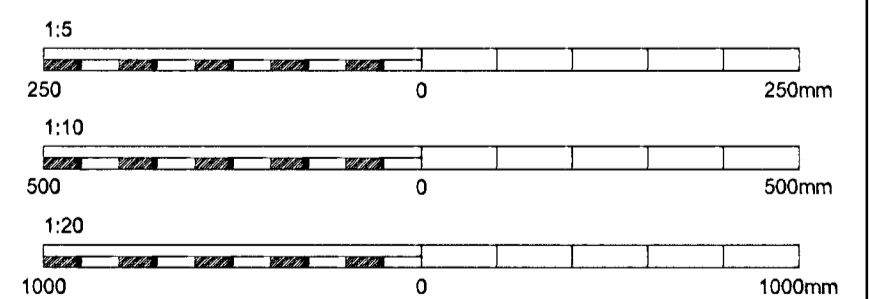
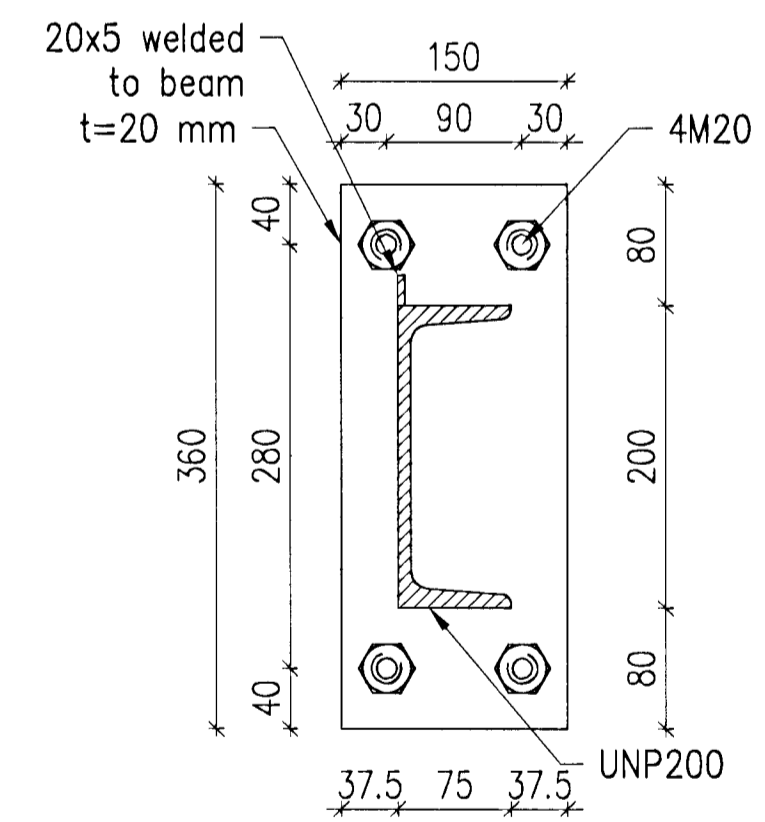
SECTION, 1:20



SECTION, 1:5



SECTION, 1:5



Skýringar: GENERAL NOTES see drawing ICC-611-CA-541-600

Legend: CONCRETE: C30/37:XF3-38

This drawing is the property of Rio Tinto Alcan Iceland Ltd. and handed out for personal use only. It may neither be copied nor made available to others without permission of Rio Tinto Alcan Iceland Ltd. The receiver is liable for any misuse.
 Start: A1 Mkv: Scale: 1:5/10/20
 Dimensions without tolerances according to ISO 2768-1 medium.



Dagsetning / Date: 2011.04.07
 Hannað / Designed: HS
 Tekni / Drawn: LDB
 Verktaki / Supplier: HRV
 Tekni.nr.verktaka / Supplier drw.no.: ICC-611-ZA-541-624
 Samþykkt / Approved: NI
 Hluti af / Part of:

IPU-CASTHOUSE EXTENSION BUILDINGS, RAMPS
 RAMP 1
 PLATFORM

Tag teikningar / Dwg. type: STEEL STRUCTURE

Rio Tinto Alcan

Flokkur nr.: 5010
 Blað nr.: 16957
 Kostn.nr.-Cono. / Bgn.nr.-Eq.no.: 253550
 AKS
 UF002
 ISAL Tekni.nr. ISAL / Drw.no. of ISAL: 253550
 ISAL Samþykkt, dags / ISAL Approved, date

Dag nr / Rev no	Lýsing / Description	Dagsetning / Date	Höf / Th / Des / Drw	Yfir / Ckd	Notk heim / Suppl. Re	Notk heim / ISAL Re
4	Record Drawing	2012.07.23	HS	NI	PG	ven