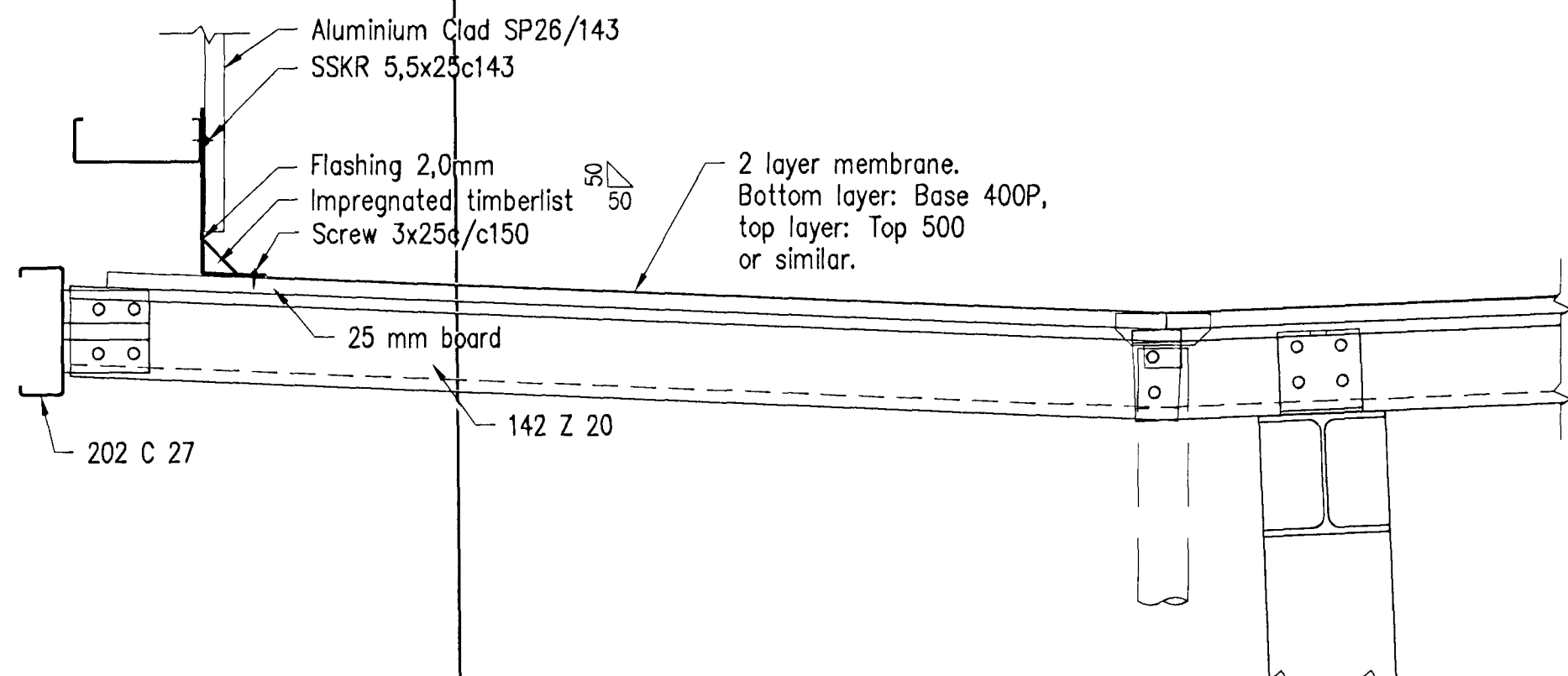
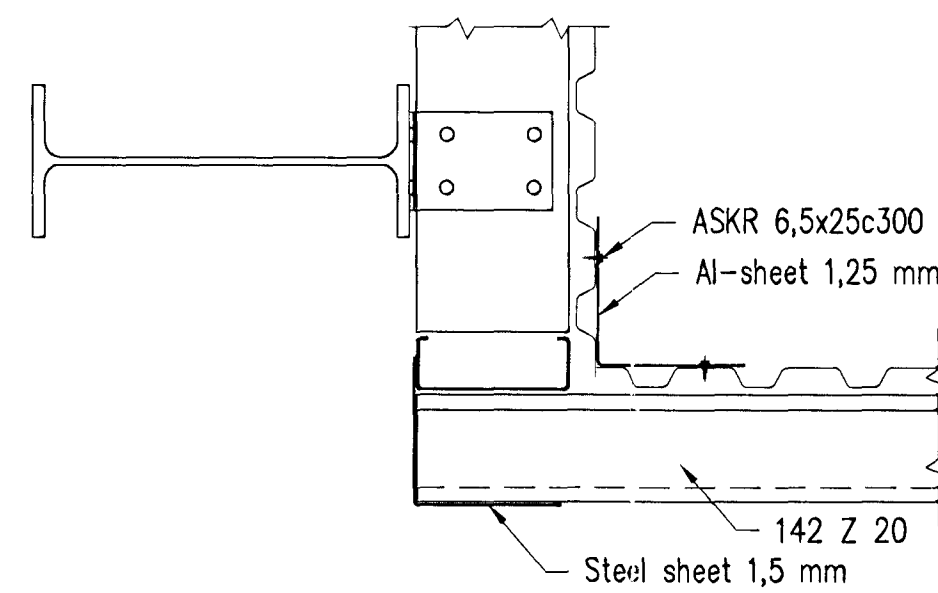


Níli Indriðason
 Kt. 181144-3949 NI

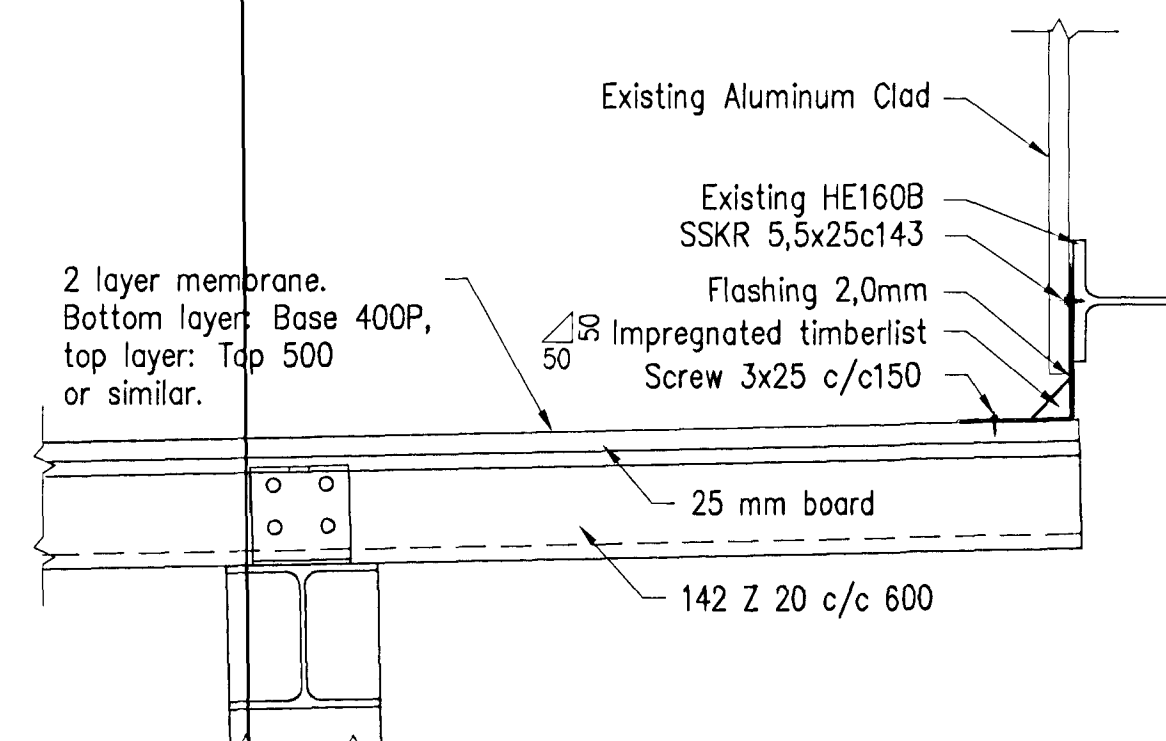
3 SECTION
 620 1:10



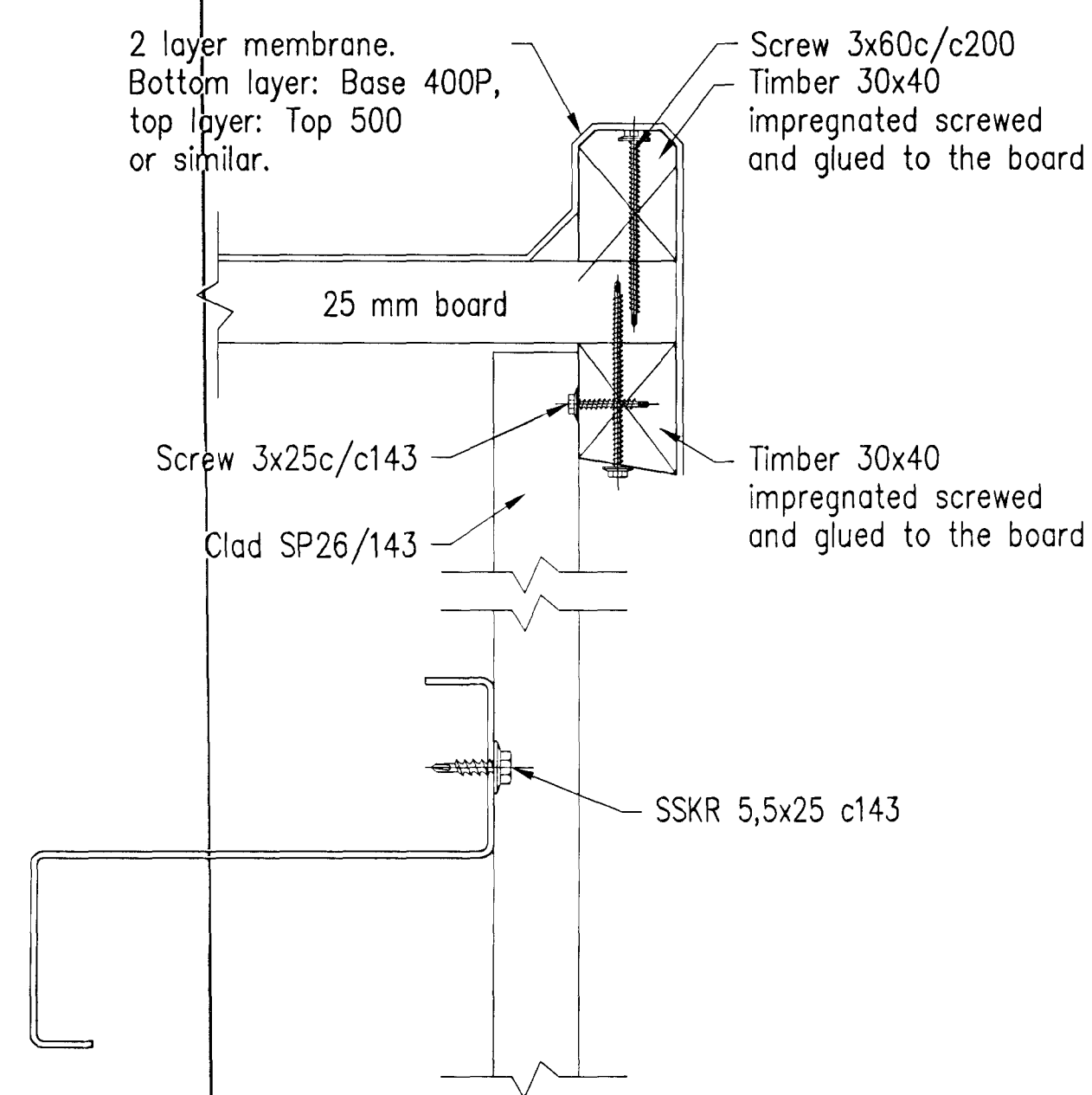
D5 DETAIL
 620 1:10



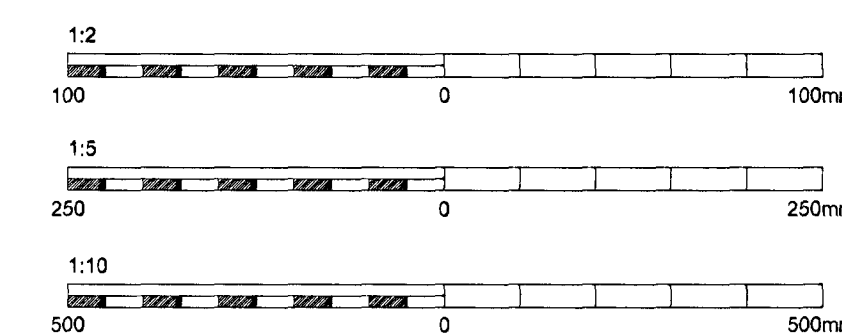
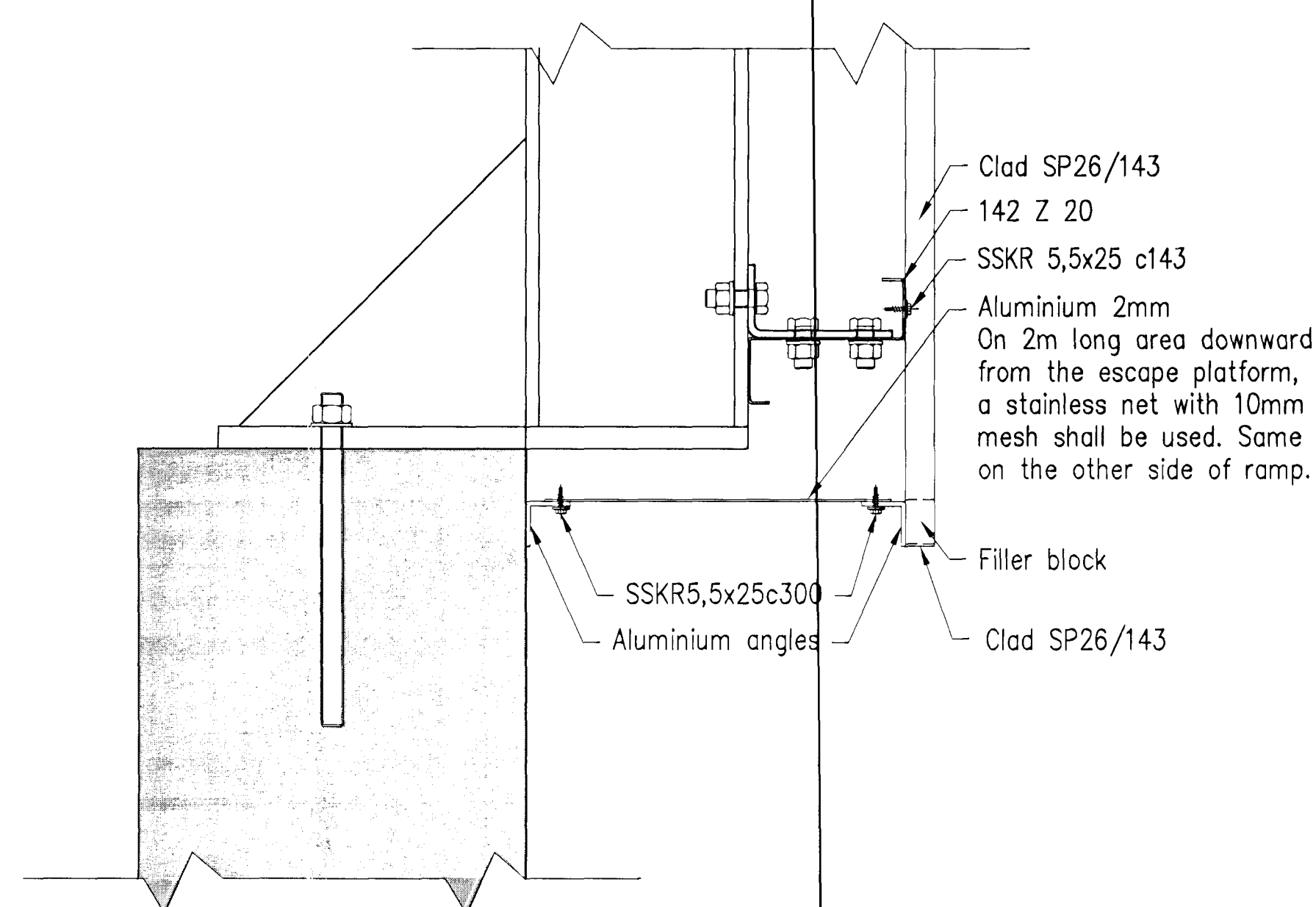
4 SECTION
 620 1:10



D6 DETAIL
 621 1:2



D8 DETAIL
 621 1:5



Skýringar: GENERAL NOTES see drawing ICC-611-CA-541-600
 Legend:

7	Record Drawing	2012.07.31	GMG	NI	PG	ms			
Dwg nr	Rev no	Lýsing	Description	Dagsetning	Har/Dra	Tyfti	Notk heim	Notk heim	Notk heim
				Date	Des/Draw	Clk	Suppl. Re	ISAL Re	

This drawing is the property of Rio Tinto Alcan Iceland Ltd. and handed out for personal use only. It may neither be copied nor made available to others without permission of Rio Tinto Alcan Iceland Ltd. The receiver is liable for any misuse.

Stærð: Formát: A Mkv: Scale: 1:2/5/10
 Dimensjónir without tolerances according to ISO 2768-1 medium.

HRV & HATCH
 ISAL PRODUCTION APPROVED

Dagsetning / Date: 2011.04.07
 Hönnað / Designed: LDB
 Verktaki / Supplier: HRV
 Tekn.nr.verktaka / Supplier drw.no: ICC-611-ZA-541-622
 Samþykkt / Approved: NI
 Títt / Chkd: NI
 Parti of: Part of:

IPU-CASTHOUSE EXTENSION BUILDINGS, RAMPS
 RAMP 1
 SECTIONS AND DETAILS
 BUILDING FITOUT

Flakkur nr.: 5010
 Blað nr.: 16957
 Nasta bl.:
 Kostn.nr.-Cano. / Búrn.nr.-Eq.no: 5010 16957
 AKS
 UF002
 ISAL Tekn.nr. ISAL /Drw.no. of ISAL: 253548
 Breyt./Rev: A
 ISAL Yfirfar og skráð, dags / ISAL Checked, date
 ISAL Samþykkt, dags / ISAL Approved, date