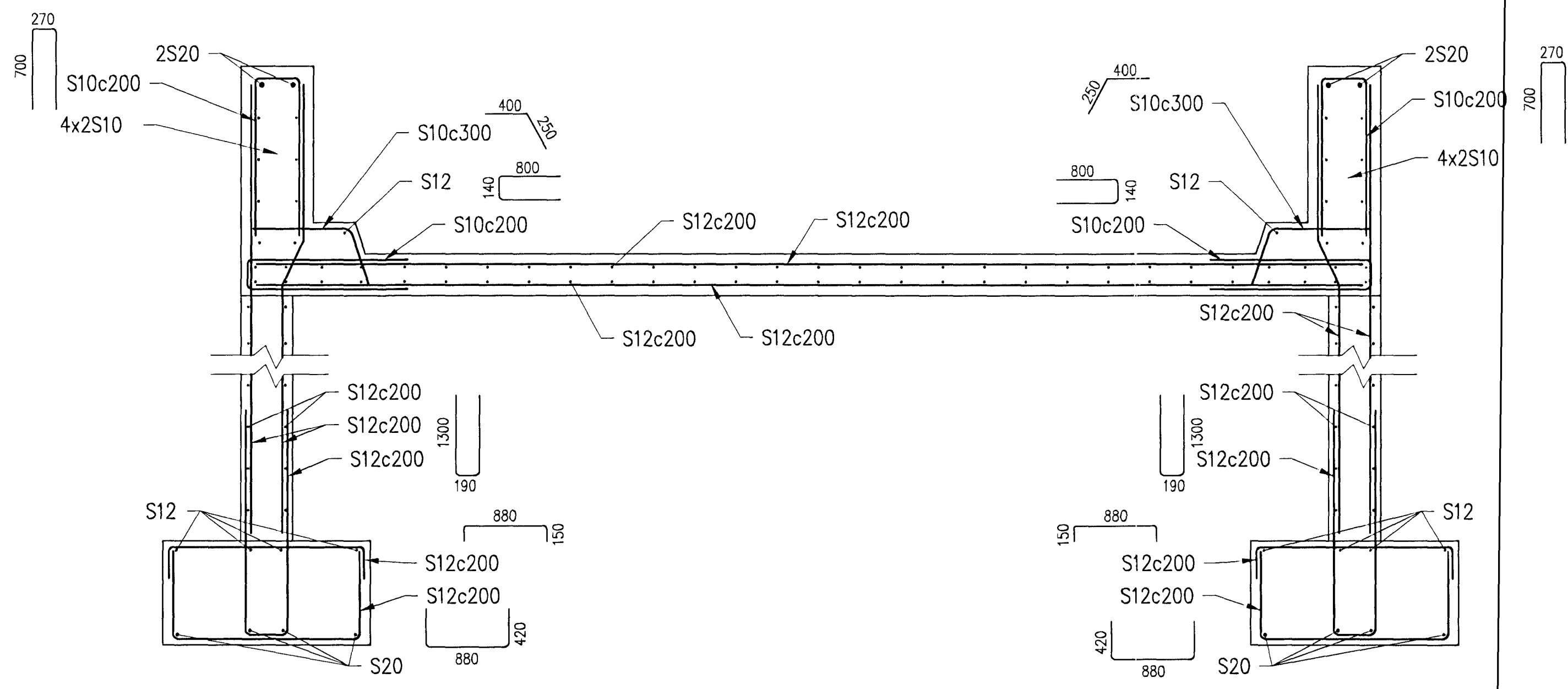
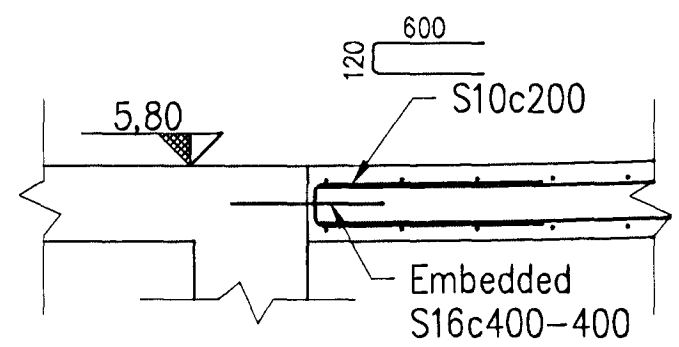


Níels Indriðason
 Kt. 181144-3949 NI

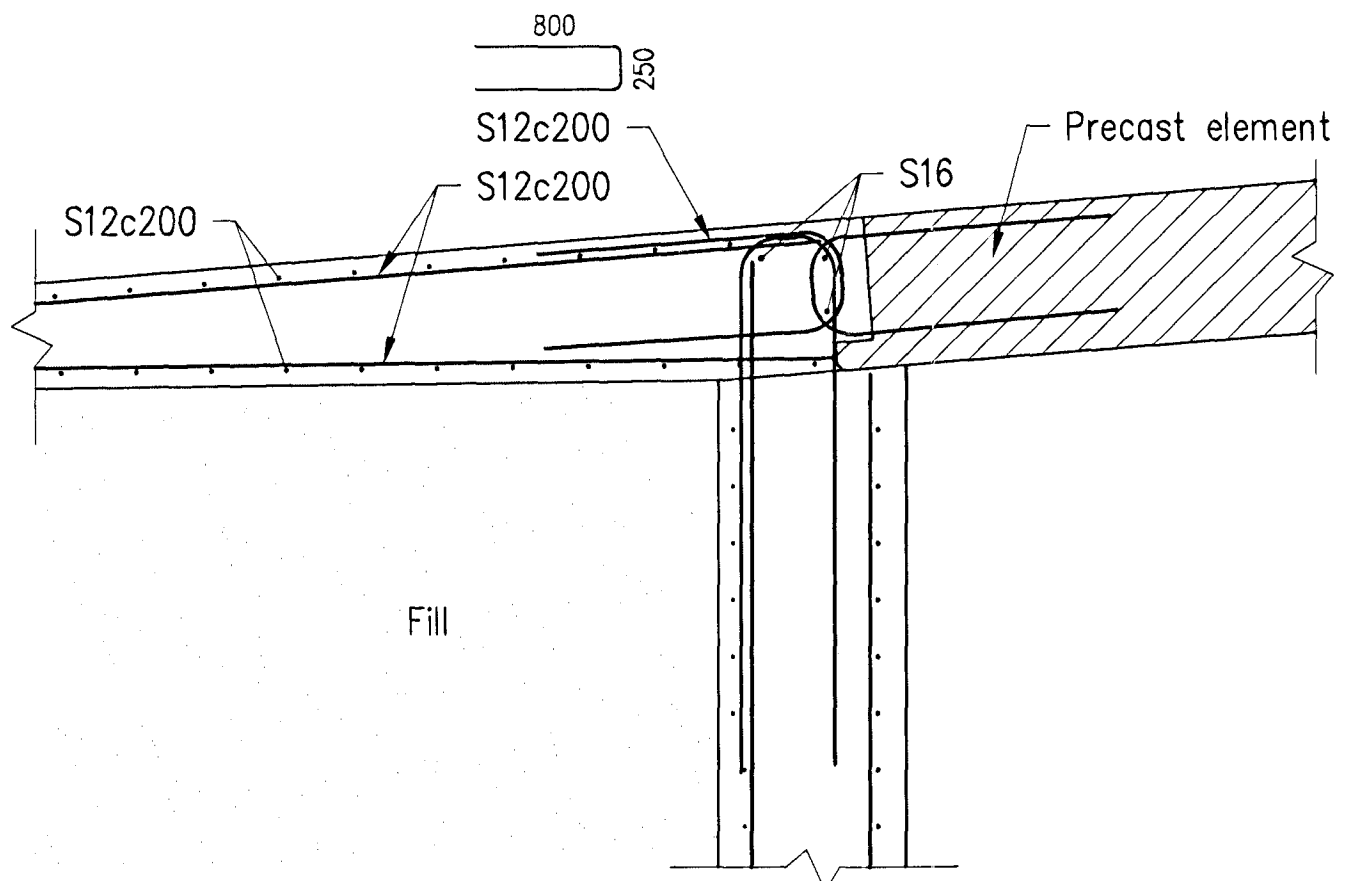
1 SECTION
 611 1:20



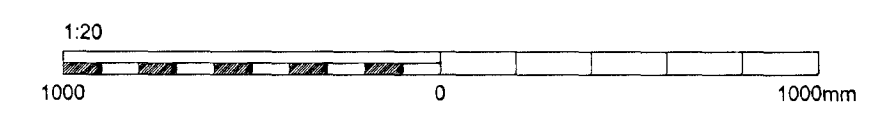
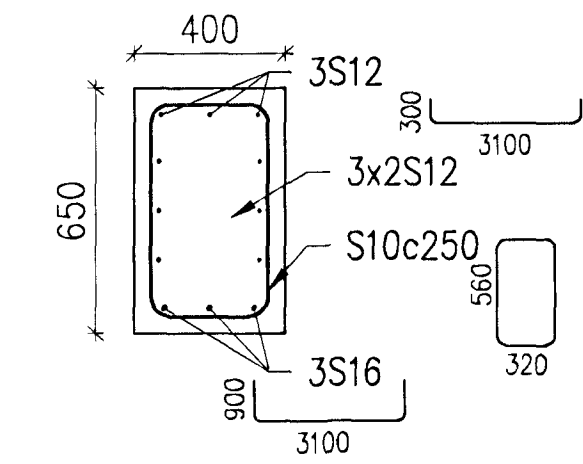
2 SECTION
 611 1:20



3 SECTION
 610 1:20



5 SECTION
 602 1:20



Handwritten signature

Skýringar / Legend:
 GENERAL NOTES see drawing ICC-611-CA-541-600
 CONCRETE: C30/37:XF3-38
 Concrete cover for reinforcement (tolerances acc. to FSENV1992)
 Top of slab with traffic 60 mm
 except slab on filling 40 mm

C:\DP\03\CC\600 Casting\600 Drawings\Civil\CC-611-CA-541-616.dwg

Stig nr / Rev no	Lýsing / Description	Dagsetning / Date	Har/Din / Des/Drw	Yfir / Chk	Notk heim / Suppl Ref	Notk heim / ISAL Ref
7	Record Drawing	2012.06.07	GMG	NI	FH	re:5

This drawing is the property of Rio Tinto Alcan Iceland Ltd. and is loaned out for personal use only. It may neither be copied nor made available to others without permission of Rio Tinto Alcan Iceland Ltd. The receiver is liable for any misuse.

Stig Formát: A1 Mkv.: 1:20
 Skala: 1:20
 Dimensions without tolerances according to ISO 2768-1 medium.



Dagsetning / Date	2011.04.07
Hannað / Designed	HS/GMG
Tekni / Drawn	GMG
Verktaki / Supplier	HRV
Tekni nr verktaka / Supplier drw.no	ICC-611-CA-541-616
Sinnuþykkt / Approved	NI
Yfir / Chkd	NI
Hluti af / Part of:	

IPU-CASTHOUSE EXTENSION BUILDINGS, RAMPS
 RAMP 1
 SECTIONS
 REINFORCEMENT

RioTinto Alcan

Flakur nr. / Blað nr.:	5010	Næsta bl. nr. / Blað nr. - Eq.no	16957
Kostn. nr. / Drw.no. of ISAL	AKS	Breyt / Rev.	A
ISAL	253527	ISAL	UF002