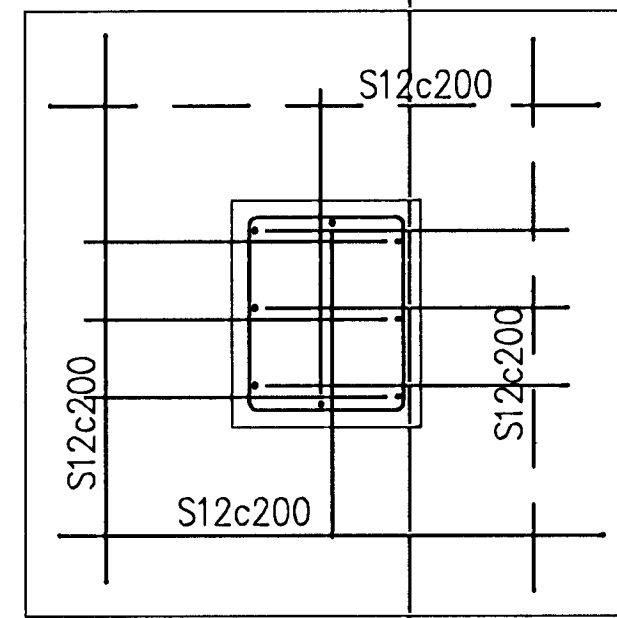


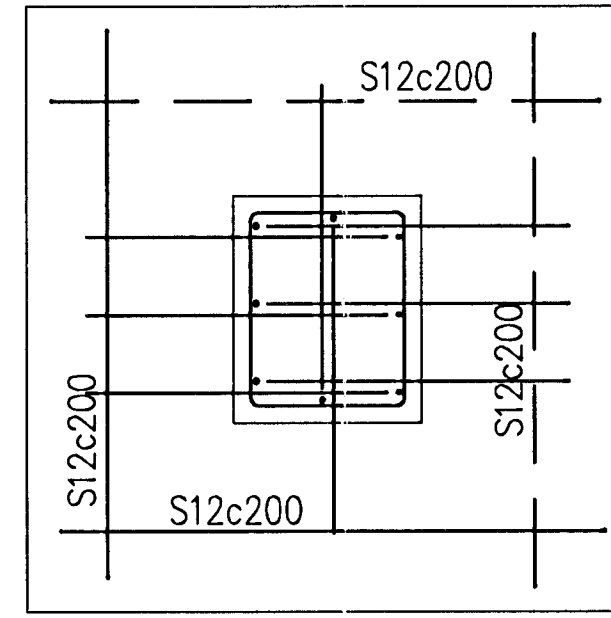
Samþykkt þann
 02 OCT 2012
 Byggingafulltrúinn / Hafnarfrá
 Fh. Sigurður Steinar Jónsson

Níels Indriðsson
 Kt. 181144-3949 NI

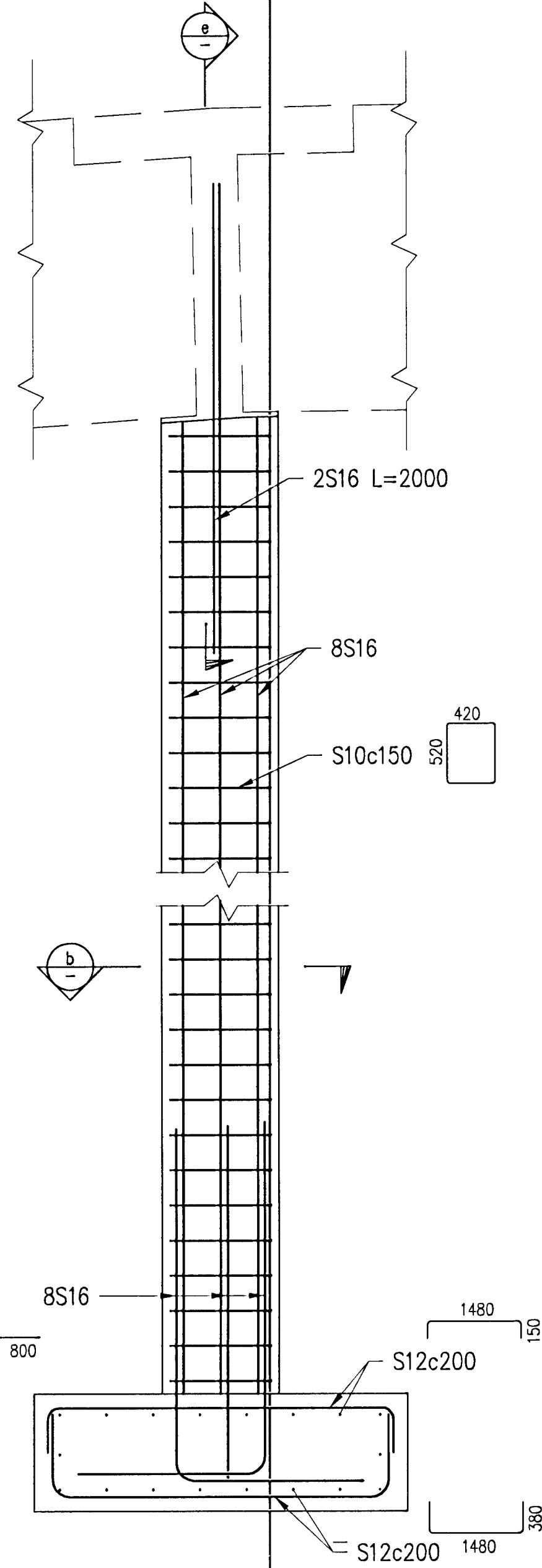
FOUNDATION F4
 1:20



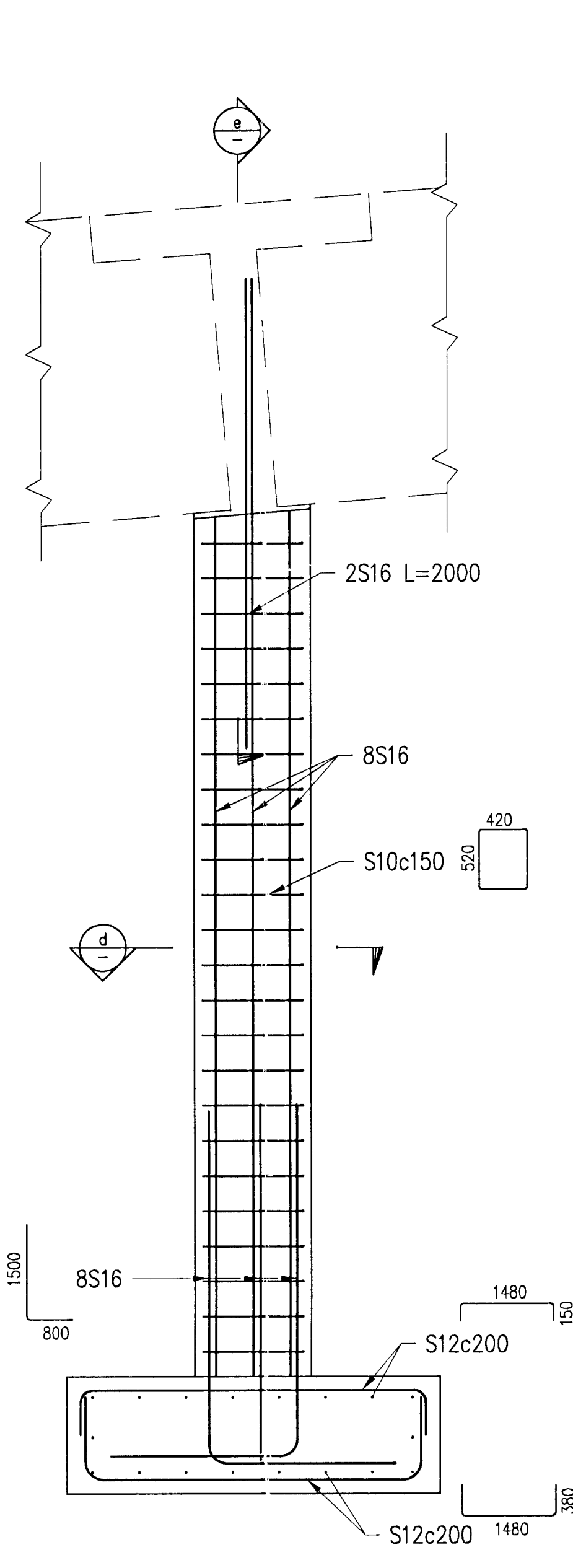
FOUNDATION F5
 1:20



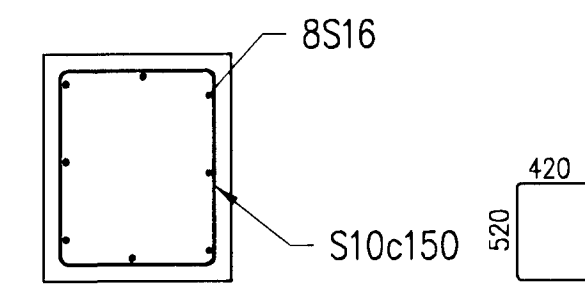
a SECTION
 1:20



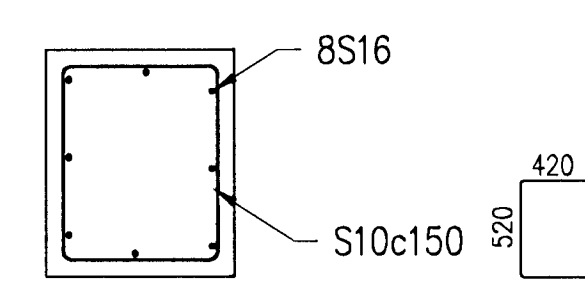
c SECTION
 1:20



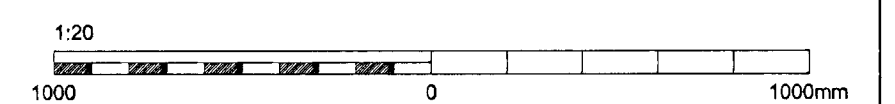
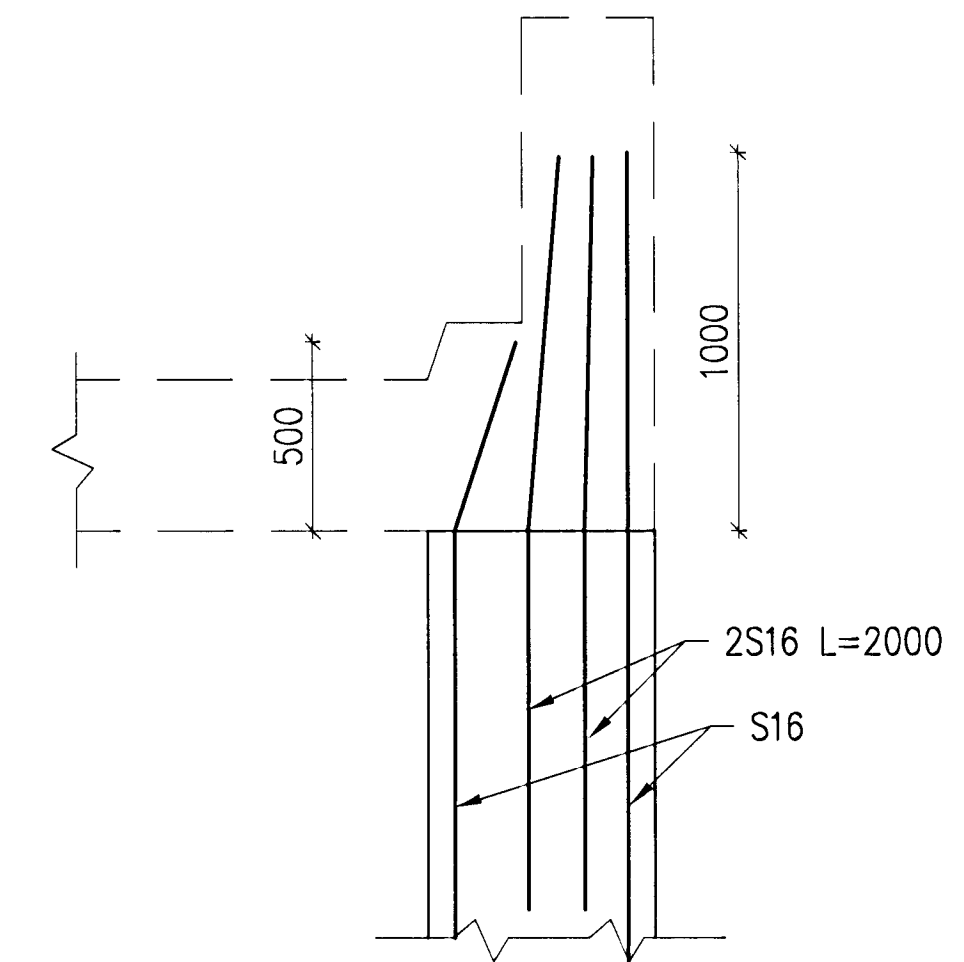
b SECTION
 1:20



d SECTION
 1:20



e SECTION
 1:20



Skýringar: GENERAL NOTES see drawing ICC-611-CA-541-600
 Legend: CONCRETE: C30/37;XF3-38
 Concrete cover for reinforcement (tolerances acc. to FSENV1992)
 top of slab with traffic 60 mm
 except slab on filling 40 mm

C:\DP\03 ICC 600 Casting\600 Drawings\Civil\ICC-611-CA-541-615.dwg

Útg nr	6	Revised	2012.07.23	GMG	NI	YRF	YRF	YRF	YRF
Rev no		Description	Dagsetning	Des/Drw	Yfir	Notk heim	Notk heim	Notk heim	Notk heim
			Date		Suppl	Rel	ISAL	Rel	

This drawing is the property of Rio Tinto Alcan Iceland Ltd. and is not to be copied or made available to others without permission of Rio Tinto Alcan Iceland Ltd. The receiver is liable for any misuse.



Dagsetning / Date	2011.04.07
Hannað / Designed	HS/GMG
Teikn / Drawn	GMG
Verktaki / Supplier	HRV
Teikn.nr.verktaka / Supplier drw.no.	ICC-611-CA-541-615
Sambúikt / Approved	YRF / Chkd
Hluti af / Part of:	

IPU-CASTHOUSE EXTENSION BUILDINGS, RAMPS		Flokkur nr.:	Bláð nr.:	Nasta bl.nr.:
RAMP 1		Kostn.nr.-Ccono. / Blánr.-Eq.no	5010	16957
FOUNDATIONS F4 AND F5		AKS	UF002	
REINFORCEMENT		ISAL	253526	A
Rio Tinto Alcan		ISAL Tekn.nr. ISAL / Drw.no. of ISAL		
		ISAL Yfirfarð og skráð, dags / ISAL Checked, date	ISAL Samþykkt, dags / ISAL Approval, date	