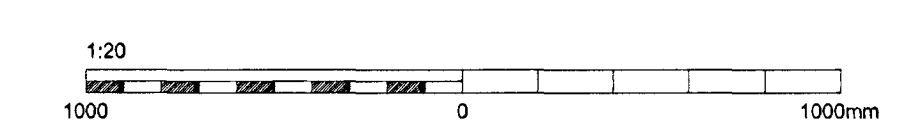
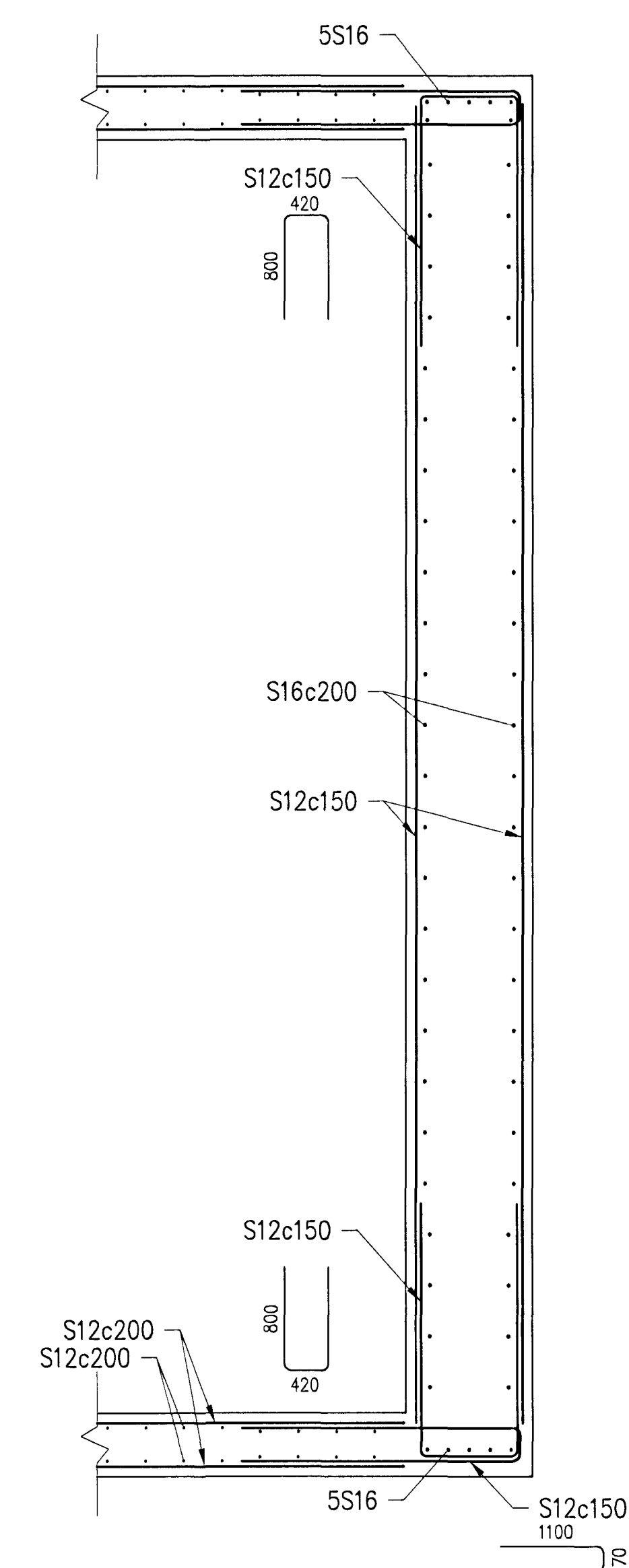
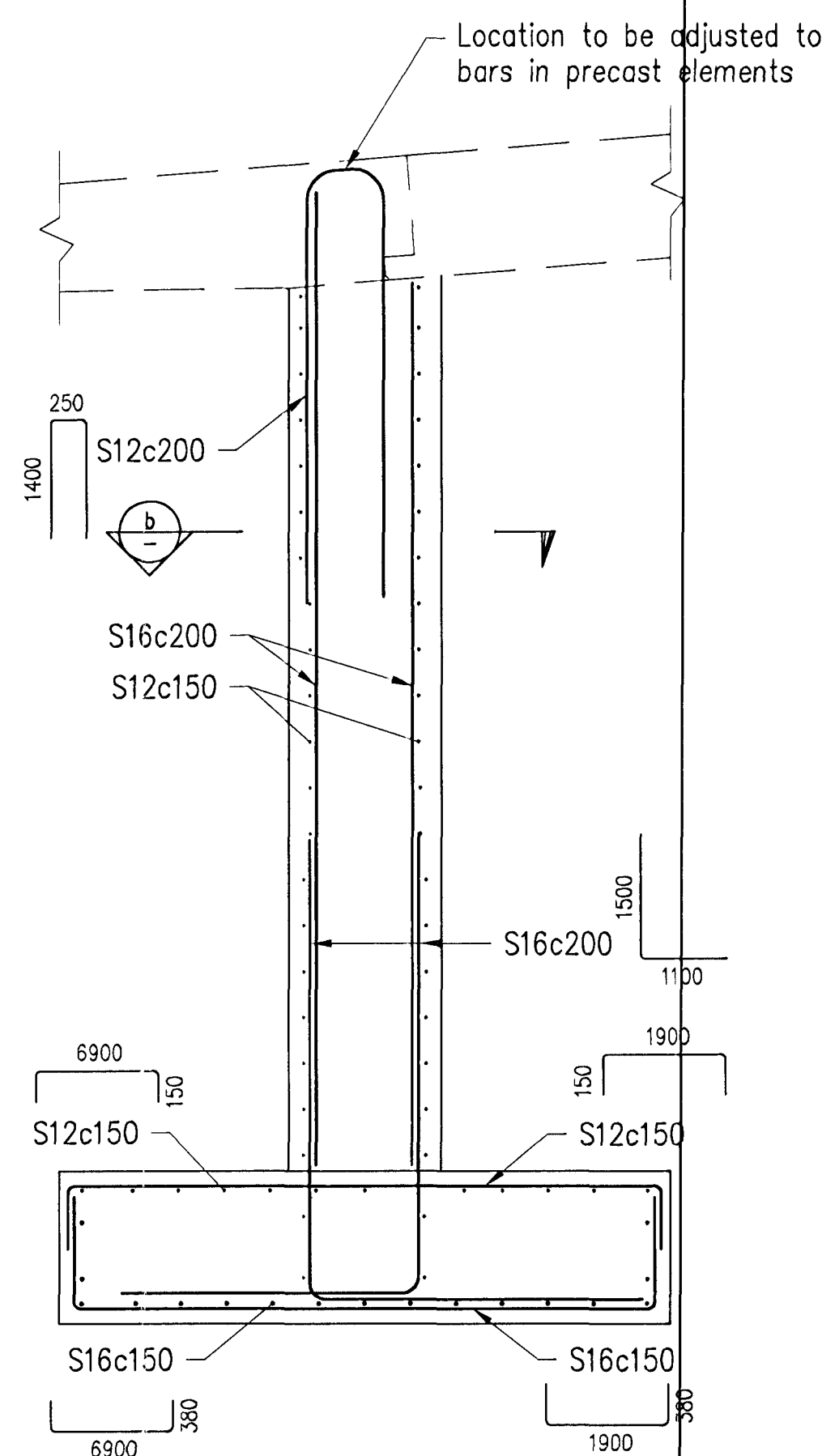
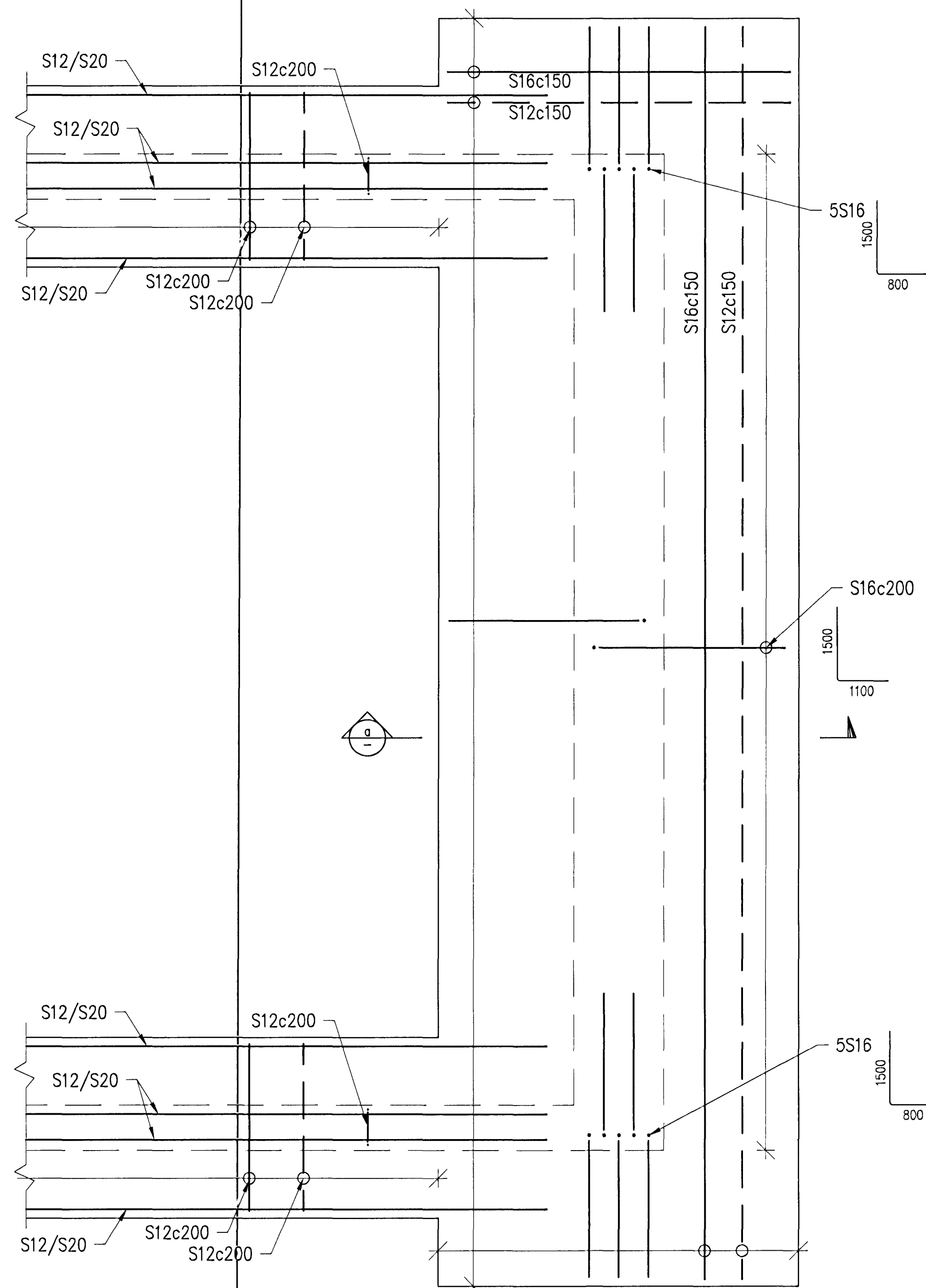


Nick Indrisson
 Kt. 181144-3949
 AT

FOUNDATION F3
 1:20

a SECTION
 1:20

b SECTION
 1:20



Skýringar: Legend:
 GENERAL NOTES see drawing ICC-611-CA-541-600

CONCRETE: C30/37:XF3-38
 Concrete cover for reinforcement (tolerances acc. to FSENV1992)
 Top of slab with traffic 60 mm
 except slab on filling 40 mm

C:\DP\04 IPI\099 As-built EPCM\600\ICC-611-CA-541-614-6.dwg

| | | | | | | |
|--------|----------------|------------|---------|------|-----------|-----------|
| 6 | Record Drawing | 2012.07.23 | GMG | NI | FG | MS |
| Útg nr | Lýsing | Dagsetning | Hor/Tín | Yfir | Notk heim | Notk heim |
| Rev.no | Description | Date | Des/Dir | Ord | Supp the | ISAL Ref |

| | |
|---------------------------------------------------------------------------------------------------------------------------------------------------------------------------------------------------------------------------------------------------|----------------------------------------------------------------|
| The drawing is the property of Rio Tinto Alcan Iceland Ltd. and handed out for personal use only. It may neither be copied nor made available to others without permission of Rio Tinto Alcan Iceland Ltd. The designer is liable for any misuse. | |
| Stand: | Mix: Scale: 1:20 |
| Format: | Dimensions without tolerances according to ISO 2768-M, medium. |
| | |
| Dagsetning / Date | 2011.04.07 |
| Hannað / Designed | GMG |
| Tekin / Drawn | GMG |
| Verktaki / Supplier | HRV |
| Tekn.nr.verktaka / Supplier draw.no. | ICC-611-CA-541-614 |
| Samþykkt / Approved | NI |
| Yfir / Chkd | NI |
| Flutt af / Part of: | |

| | | | | |
|------------------------------------------|--|------------------------------------------|---------------|----------------|
| IPU-CASTHOUSE EXTENSION BUILDINGS, RAMPS | | Flökkur nr.: | Blöð nr.: | Næsta bl. nr.: |
| RAMP 1 | | Kostn.nr.-Deno. / | Búna.nr.-Egno | |
| FOUNDATION F3 | | 5010 | 16957 | |
| Teg. teikningar / Dwg. type: | | REINFORCEMENT | | |
| | | ISAL Tekn.nr. ISAL / Draw.no. of ISAL | AKS | Breyt./Rev. |
| | | 253525 | UF002 | A |
| | | ISAL Samþykkt, dags / ISAL Checked, date | | |