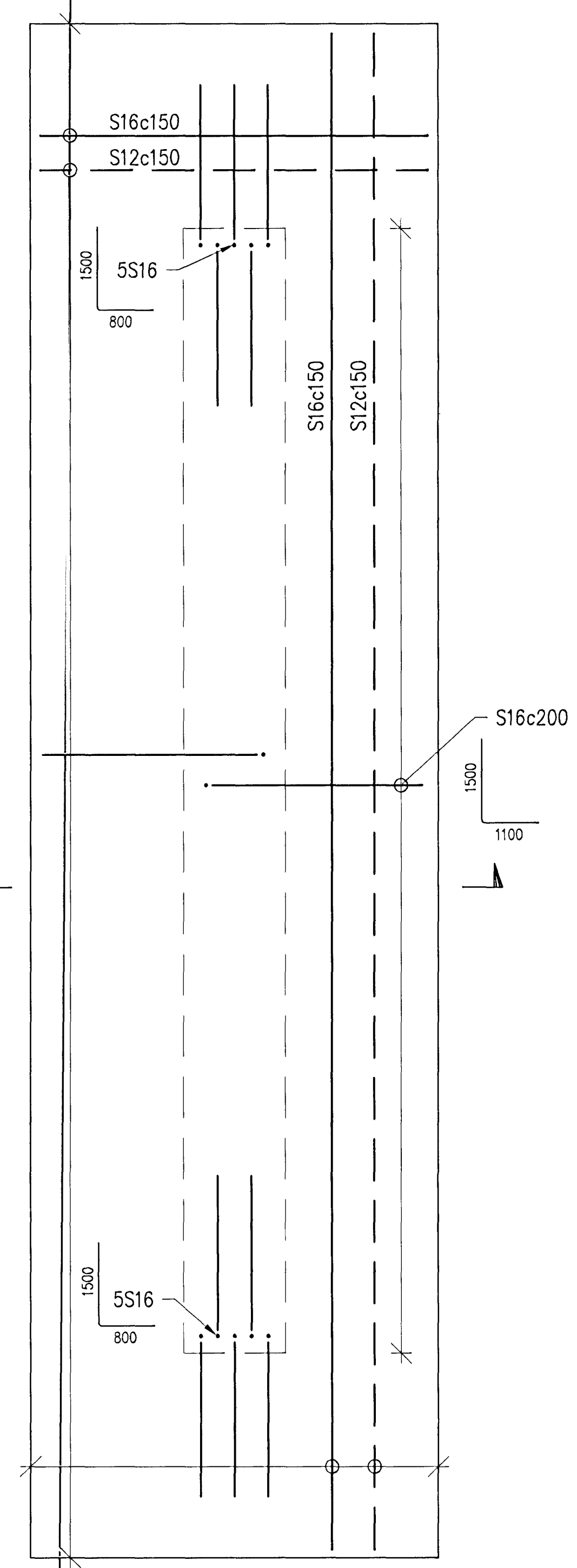
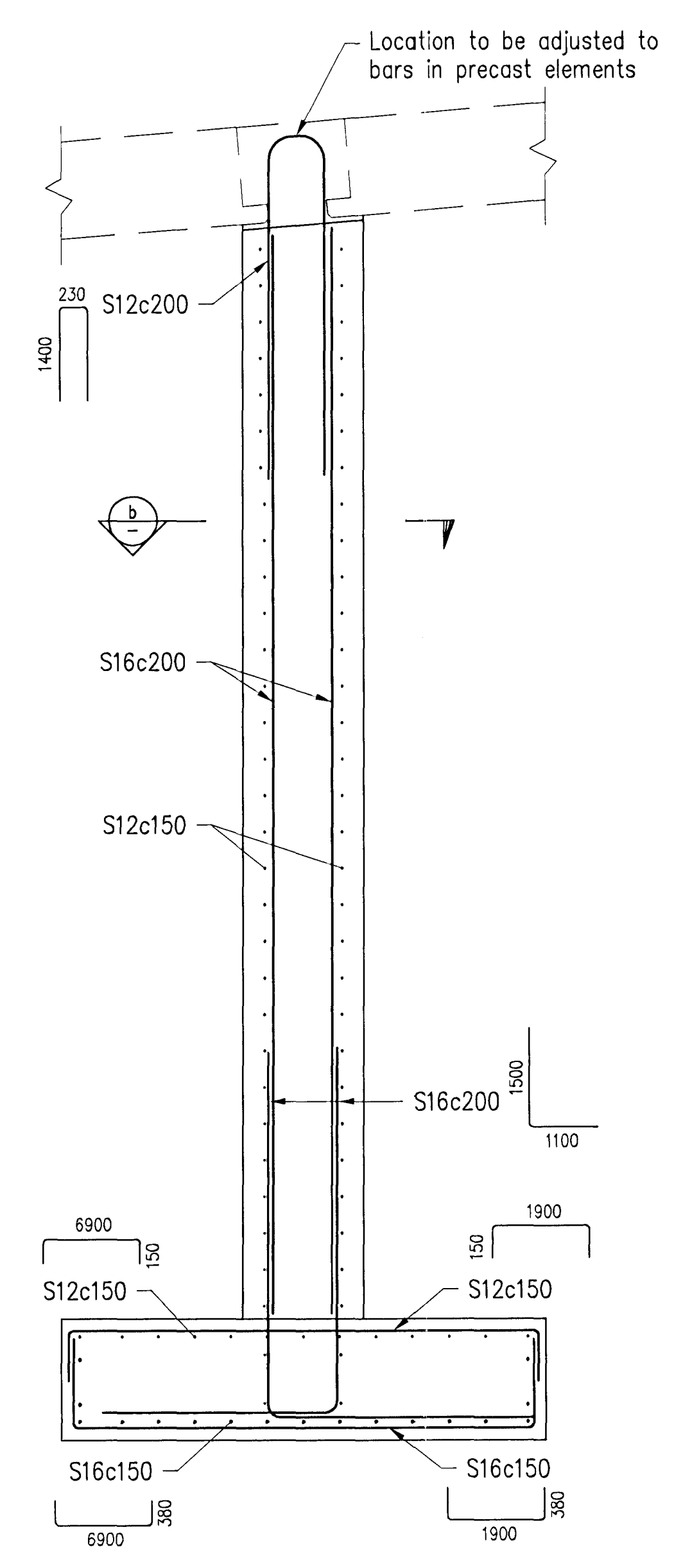


Níels Indriðsson
 Kt. 181144-3949
 NI

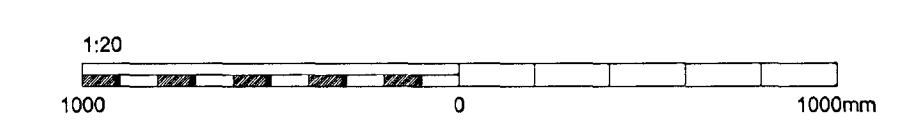
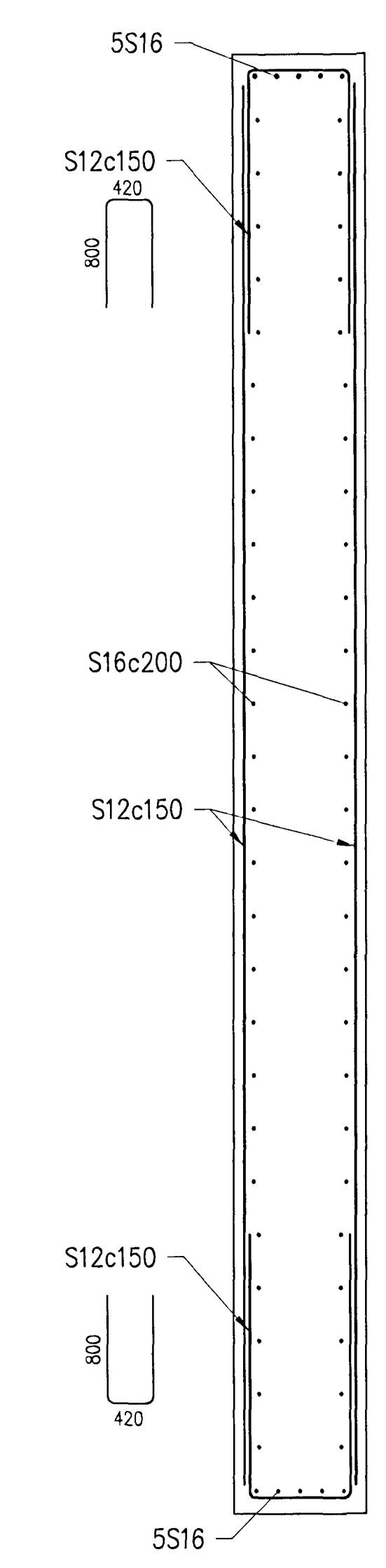
FOUNDATION F2
 1:20



a SECTION
 1:20



b SECTION
 1:20



Skýringar:
 Legend:
 GENERAL NOTES see drawing ICC-611-CA-541-600
 CONCRETE: C30/37:XF3-38
 Concrete cover for reinforcement (tolerances acc. to FSENV1992)
 Top of slab with traffic 60 mm
 except slab on filling 40 mm

C:\VDP\04 IP\099 As-built EPCM\600\ICC-611-CA-541-613-6.dwg

Útg. nr / Rev. no	Lýsing / Description	Dagsetning / Date	Har./Ön / Des./Dra	YF / Ök	Nösk. heim / Nösk. heim / Suppl. Ref	ÖSK. Ref
6	Record Drawing	2012.07.23	GMG	NI	PG	

This drawing is the property of Rio Tinto Alcan Iceland Ltd. and handed out for personal use only. It may neither be copied nor made available to others without permission of Rio Tinto Alcan Iceland Ltd. The receiver is liable for any misuse.

Scale: 1:20
 Dimensions without tolerances according to ISO 2768-1 medium.

Dagsetning / Date: 2011.04.07		Tækn. / Drawn: GMG	
Hannað / Designed: HS/GMG		Tækn. / Drawn: GMG	
Verktaki / Supplier: HRV		Tækn. nr. / Supplier draw. no.: ICC-611-CA-541-613	
Tækn. nr. / Supplier draw. no.: ICC-611-CA-541-613		Önnun / Approved: NI	
Hluti af: / Part of:		Yfir / Chkd: NI	

IPU-CASTHOUSE EXTENSION BUILDINGS, RAMPS		Flokkur nr.:	Blöð nr.:	Næsta bl. nr.:
RAMP 1		Koðun. nr. - Cono. / Blöð nr. - Eq. no	5010	16957
FOUNDATION F2		AKS		
REINFORCEMENT		UF002		
RioTinto Alcan		Tekn. nr. ISAL / Draw. no. of ISAL	253524	Breyt. / Rev. A
ISAL Yfirforð og skráð, dags / ISAL Checked, date		ISAL Samþykkt, dags / ISAL Approved, date		