

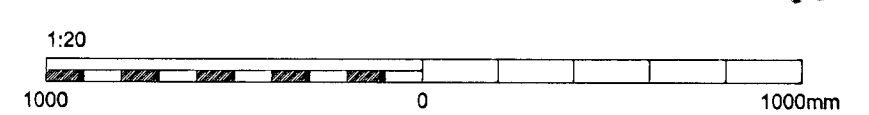
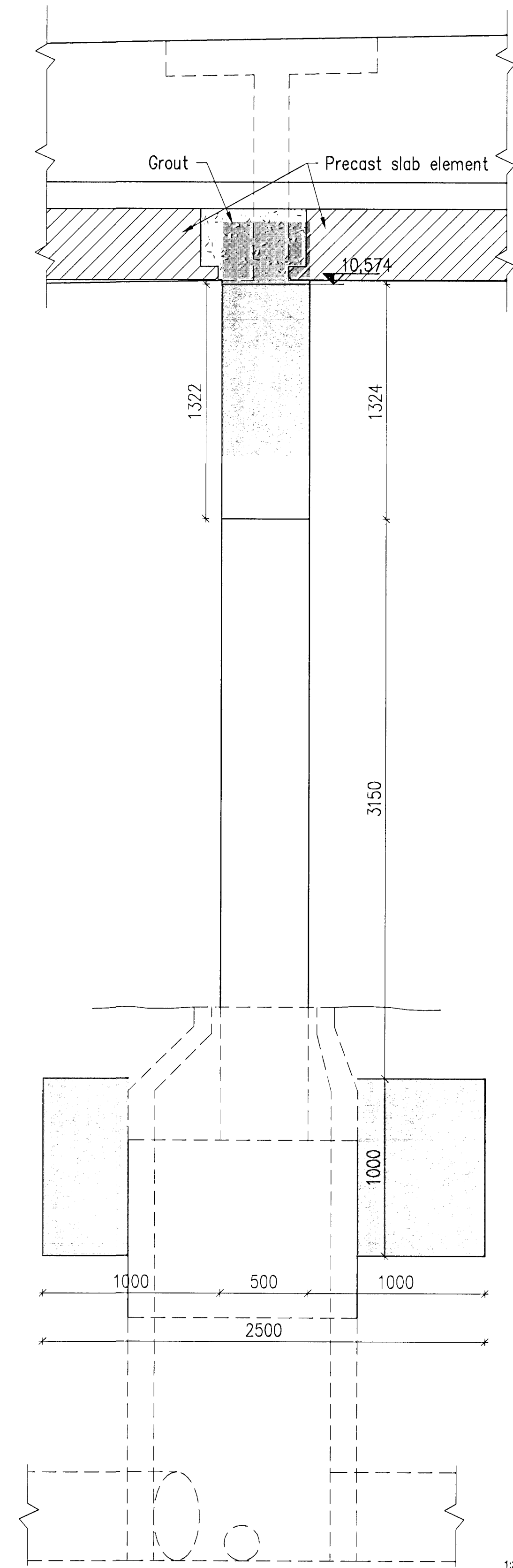
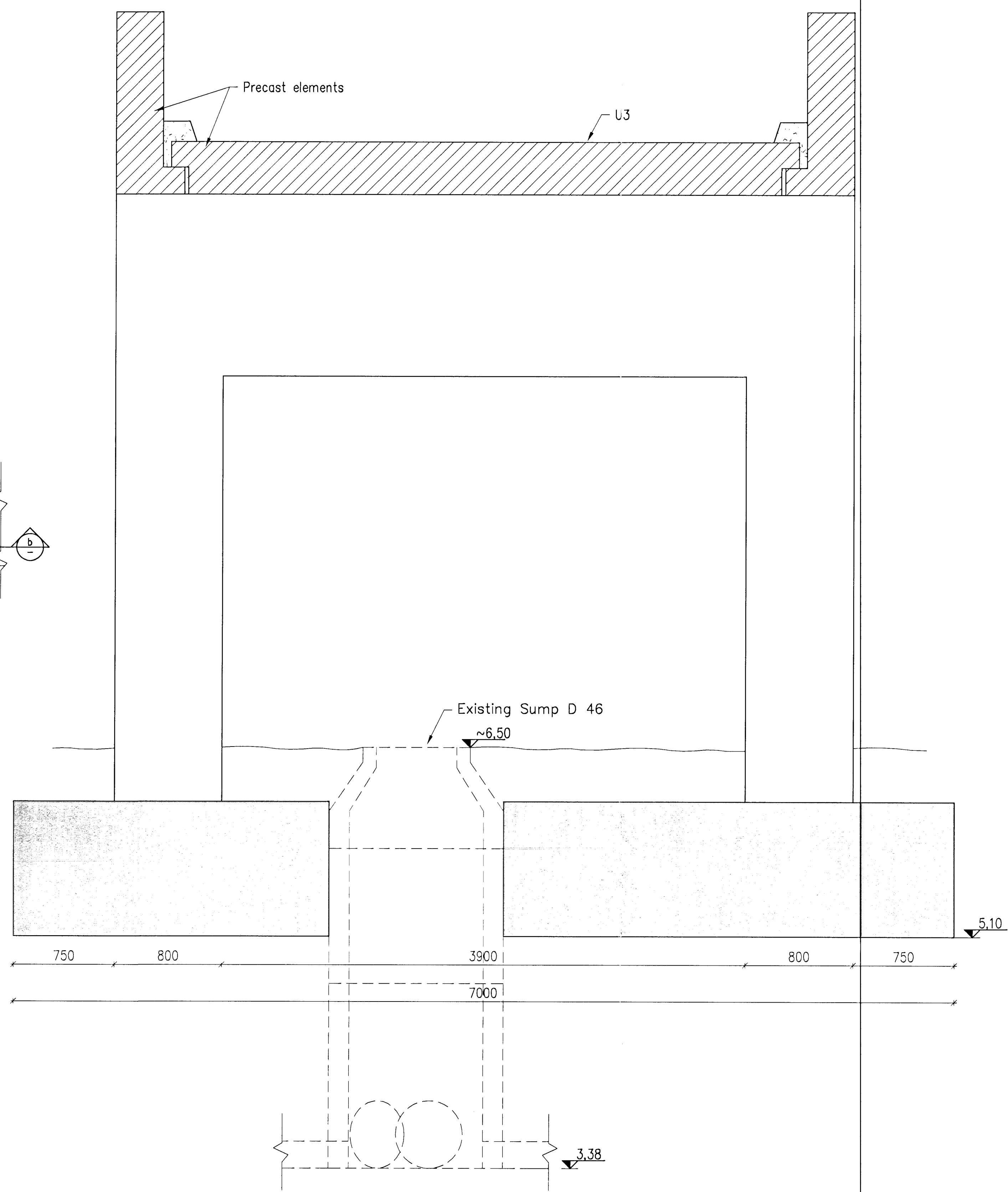
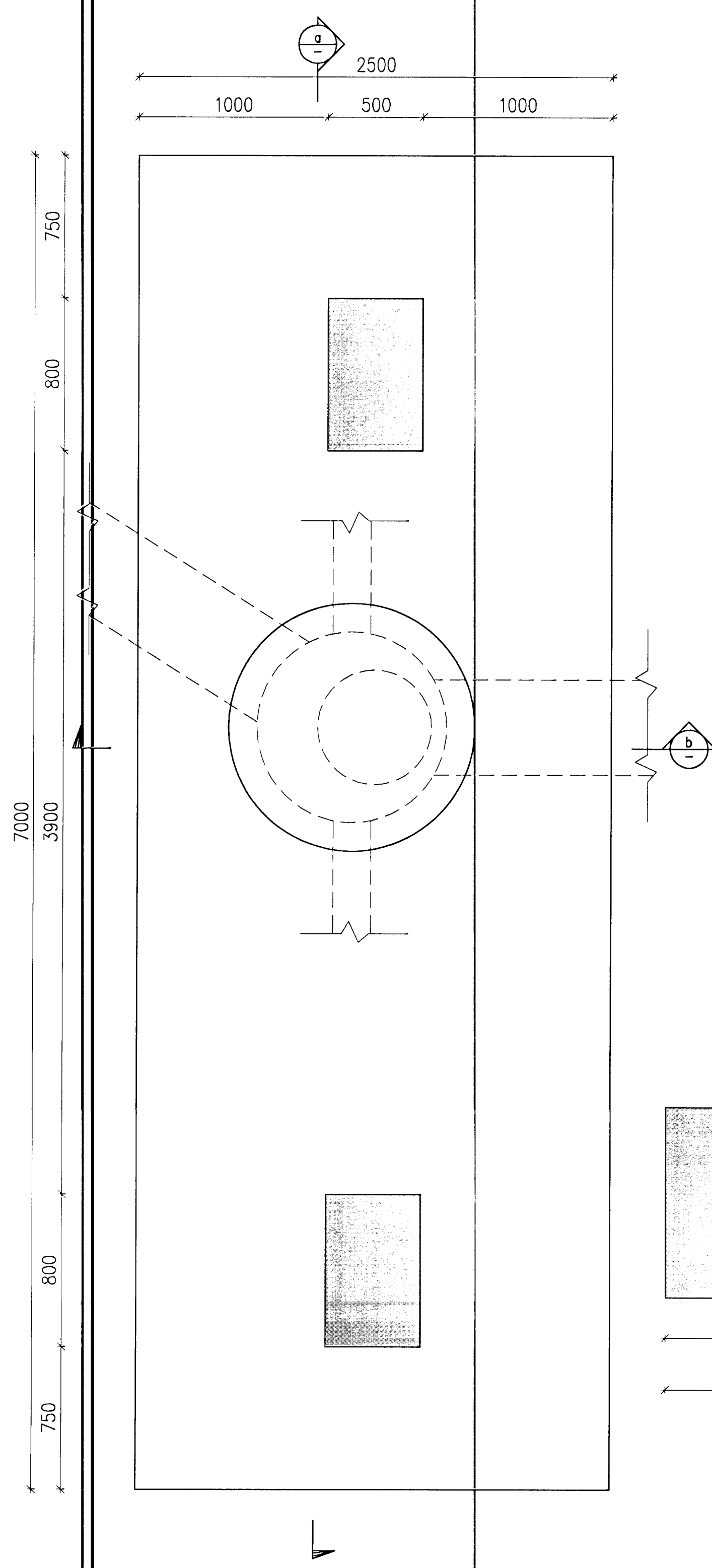
Samþykkt bann  
 02 OCT 2012  
 Byggingafulltrúinn / Hafnarinn  
 F.h. Sigurður Steinar Jónsson

Níels Indriðason  
 Kt. 181144-3949 NI

FOUNDATION F1  
 1:20

a SECTION  
 1:20

b SECTION  
 1:20



Skýringar: GENERAL NOTES see drawing ICC-611-CA-541-600  
 Legend: CONCRETE: C30/37:XF3-38  
 Precast elements are shown on contractors drawings

C:\VDP\04\IPU\099 As-built EPCM\600\ICC-611-CA-541-603-6.dwg

6	Record Drawing	2012.07.23	GMG	NI	TE	RA	SA	RE
Slg nr	Lýsing	Dagsetning	Har/Th	Yfir	Notk heim	Notk heim	Notk heim	Notk heim
Rev no	Description	Date	Des/Drw	Chk	Suppl	Rel	ISAL	Rel

This drawing is the property of Rio Tinto Alcan Iceland Ltd. and handed out for personal use only. It may neither be copied nor made available to others without permission of Rio Tinto Alcan Iceland Ltd. The receiver is liable for any misuse.				Dagsetning / Date 2011.04.07		IPU-CASTHOUSE EXTENSION BUILDINGS, RAMPS RAMP 1 FOUNDATION F1		Flokkur nr.: Blað nr.: Nasta bl.nr.: 5010 16957	
Form: A1 Mkv: Scale: 1:20 Dimensions without tolerances according to ISO 2788-1 medium.		HRV HATCH Teikn / Drawn HS/GMG Verktaki / Supplier HRV		Teikn nr./verktaki / Supplier drw.no. ICC-611-CA-541-603		Teg.teikningar / Dwg. type: FORM WORK		ISAL Teikn.nr. ISAL / Drw.no. of ISAL Breyt./Rev. 253516 A	
		Hluti af: / Part of: NI		ISAL Yfirfarð og skrðð, daga / ISAL Checked, date		ISAL Samþykkt, daga / ISAL Approval, date			