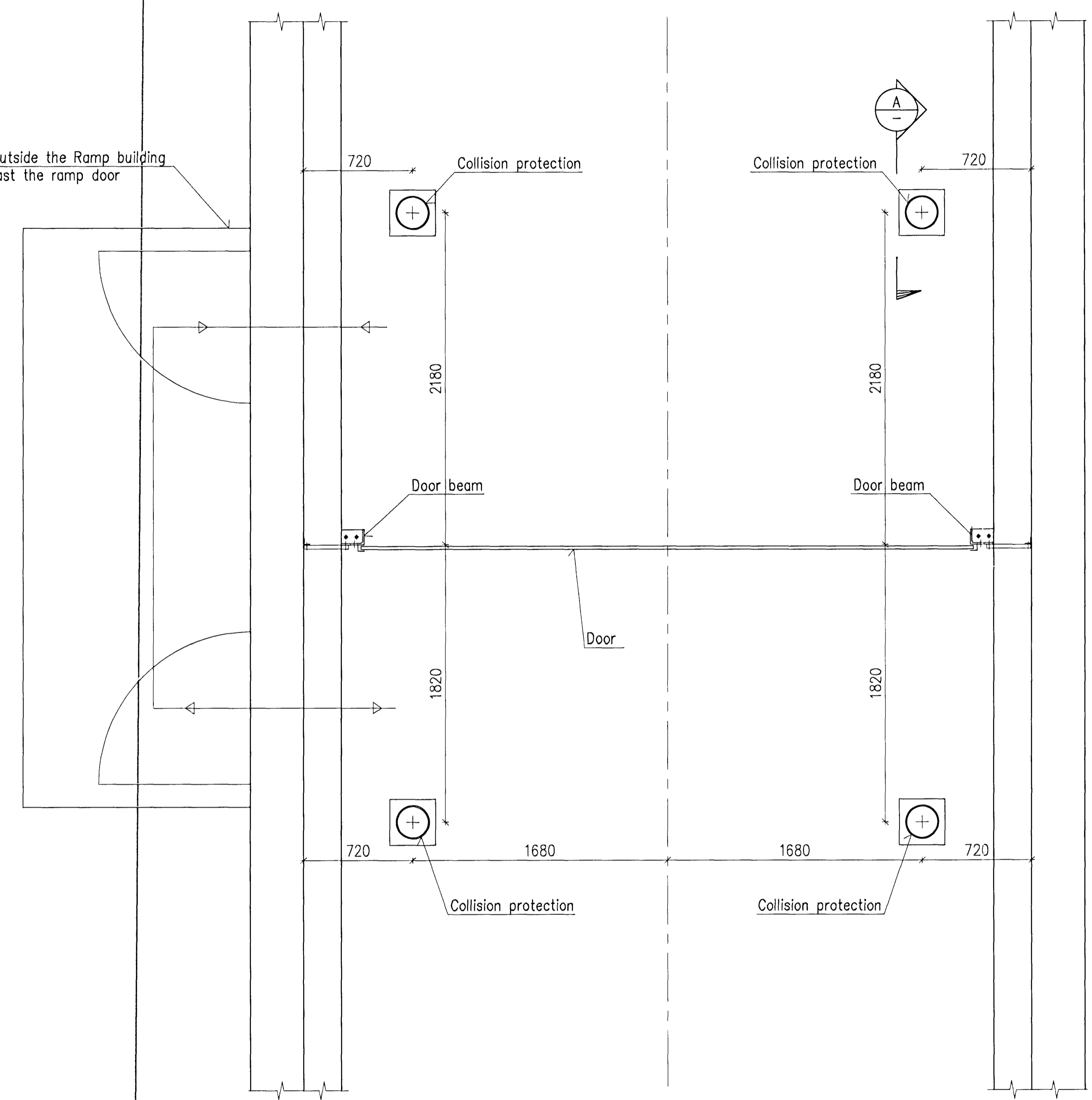


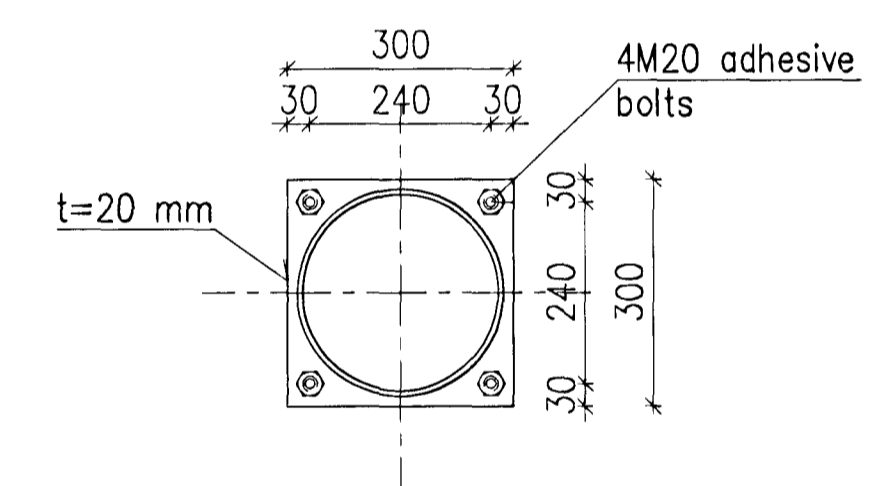
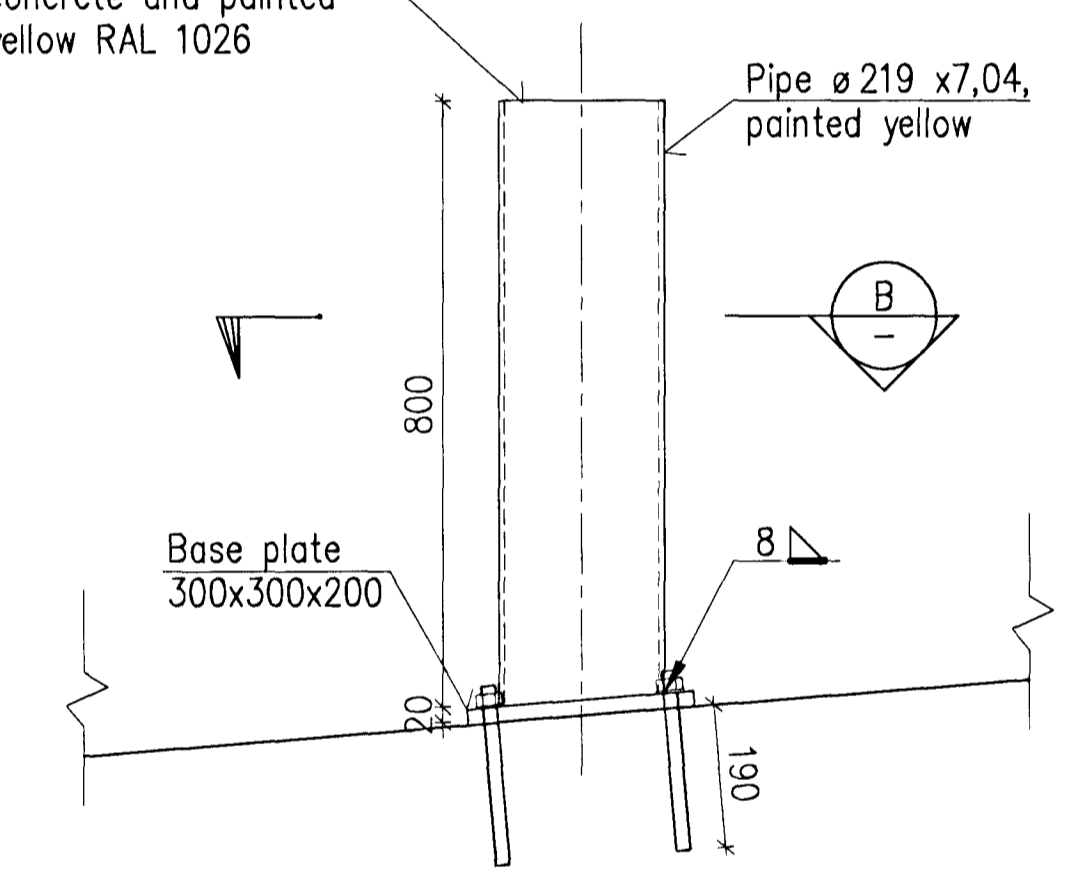
Níki Indriðason
 Kt. 181144-3949
 NI

Platform outside the Ramp building
 Walkway past the ramp door



DOOR COLLISION PROTECTION-PLAN VIEW
 1:20

Pipe shall be filled with
 concrete and painted
 yellow RAL 1026



A SECTION
 1:10

COLLISION PROTECTION BEAM

B SECTION
 1:10

BASE PLATE

Skýringar:
 Legend:

Material of the collision protection beams shall be Steel S235JR (EN10025).

5	Record Drawing	2012.07.23	VMM	NI	FG	MS
Staðir:	A1	Mkv:	1:20	Dimensions without tolerances according to ISO 2768-M1 medium.		

HRVA HATCH
 ISAL PRODUCTION OPERATOR

Dagsetning / Date: 2010.12.28
 Hönnuð / Designed: BPH/VMM
 Teykt / Drawn: BPH/VMM
 Verktaki / Supplier: HRV
 Tækn.númer / Supplier draw.no.: ICC-611-ZA-541-803
 Samþykkt / Approved: NI
 Hluti af: / Part of:

IPU 600 - CASTING
 CASTHOUSE EXTENSION
 RAMP 1

Flakur nr.: 5010
 Blað nr.: 16957

DOOR COLLISION PROTECTION
 AKS UF002

RioTinto Alcan
 Alcan Ísland Ltd
 Straumsvík
 IS-222 Hálfarbrú
 Ísland

Tekn.nr. ISAL / Draw.no. of ISAL: 253556
 Breyt./Rev.: A

ISAL: Yfirráð og skráð, dags / ISAL: Checked, date
 ISAL: Samþykkt, dags / ISAL: Approved, date