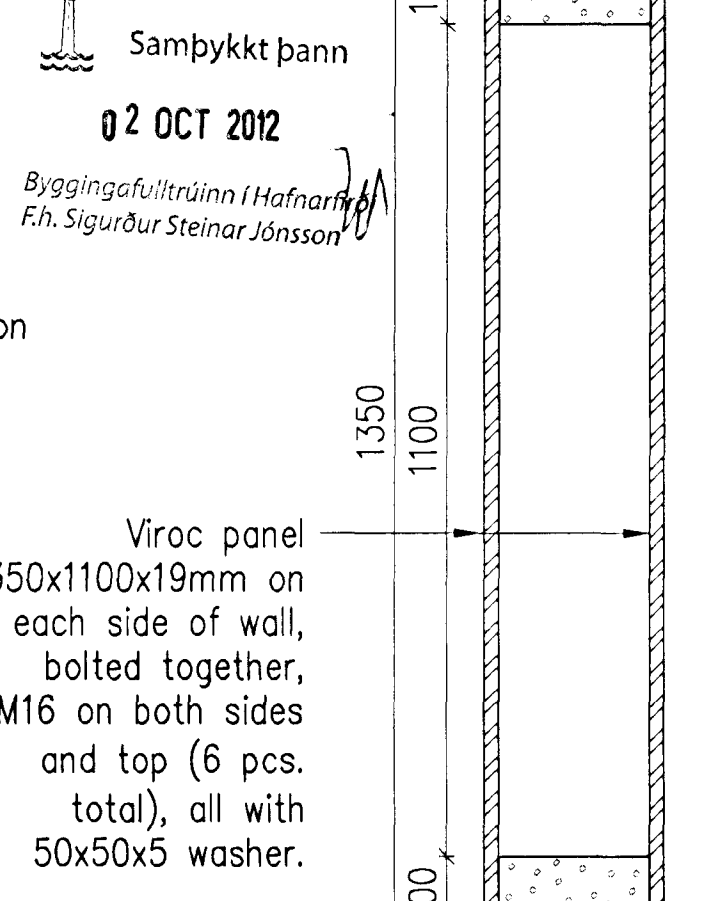
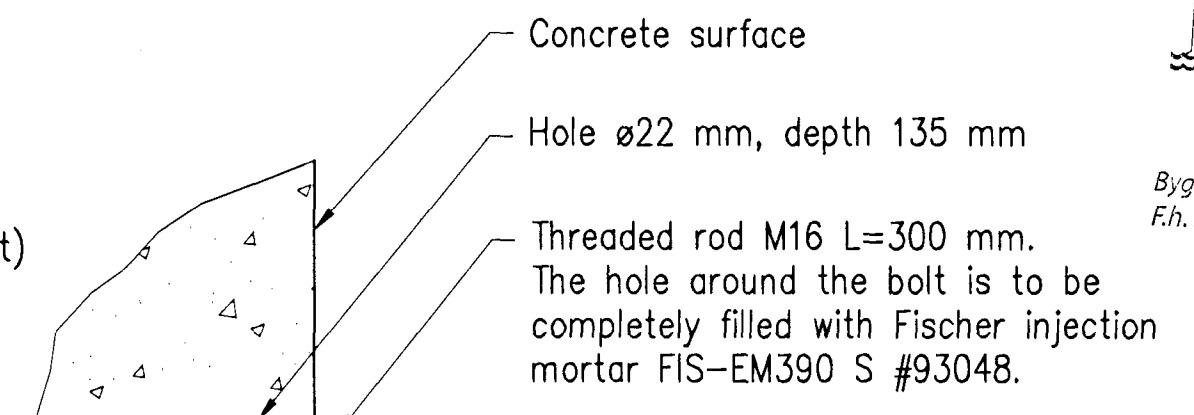
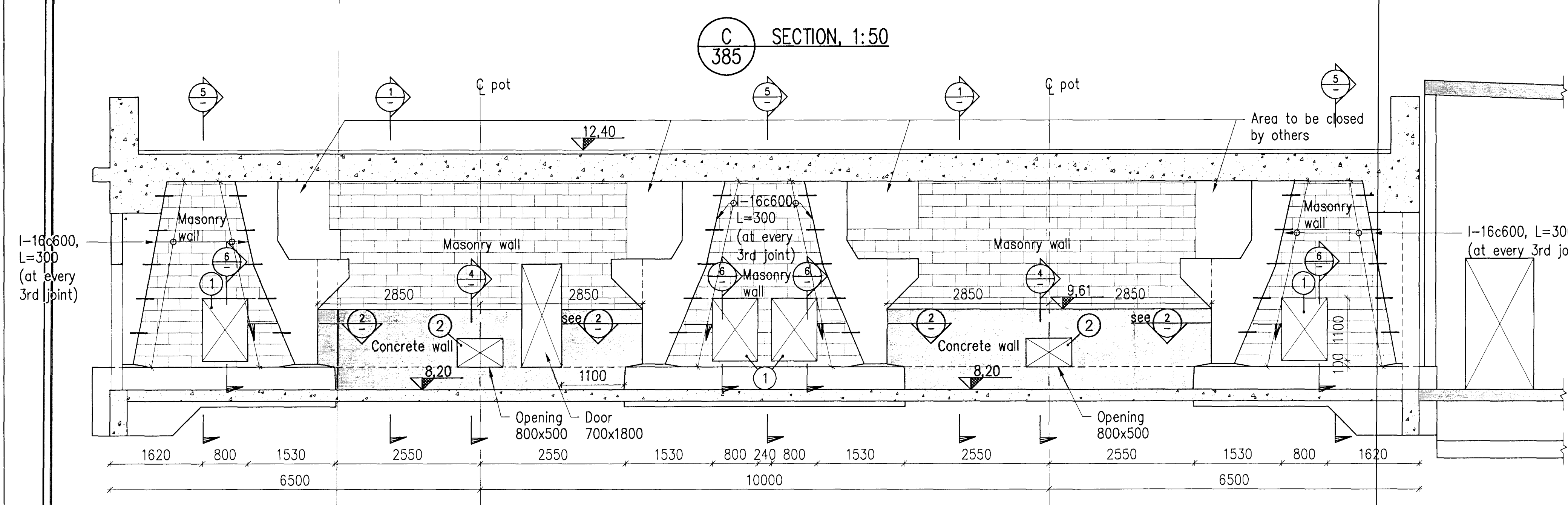


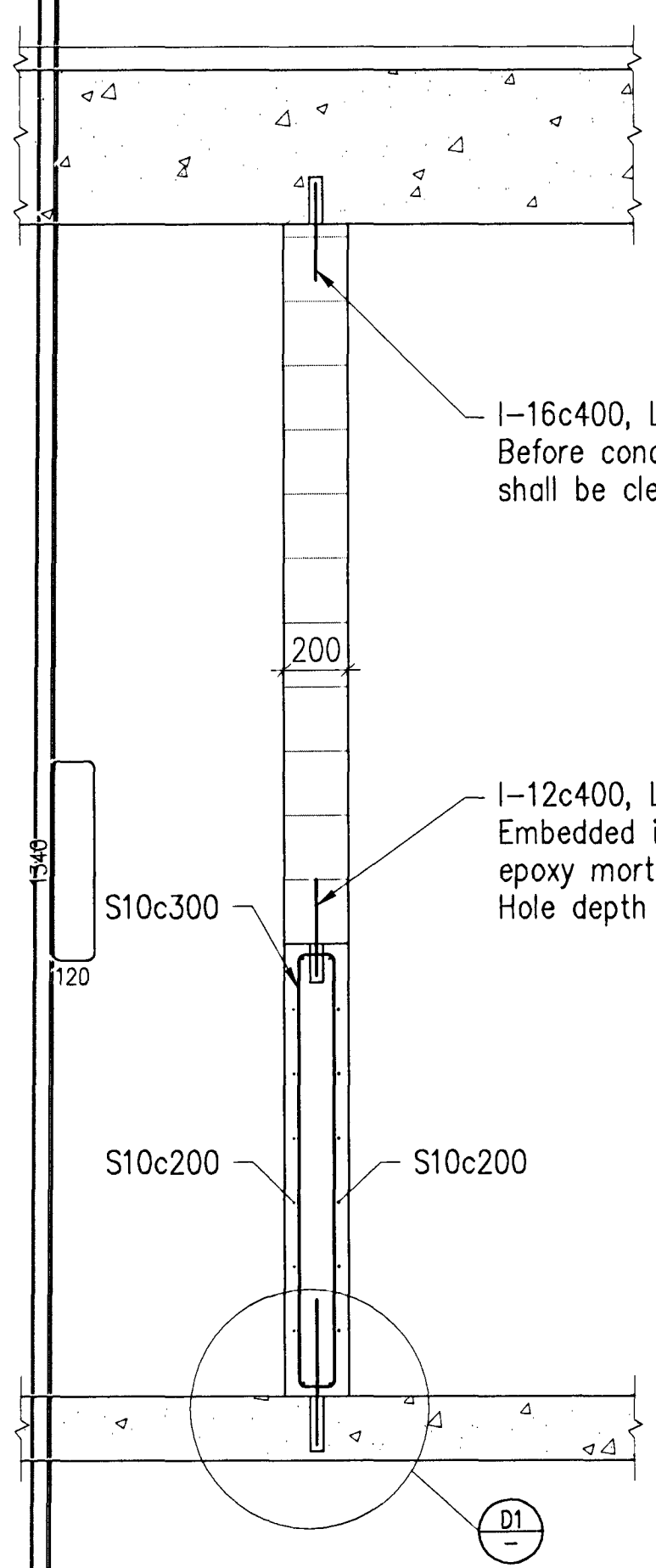
ISOLATED CONNECTING ROD M12/M16, 1:5
marked as I-12/I-16 on drawings

Same arrangement on sides

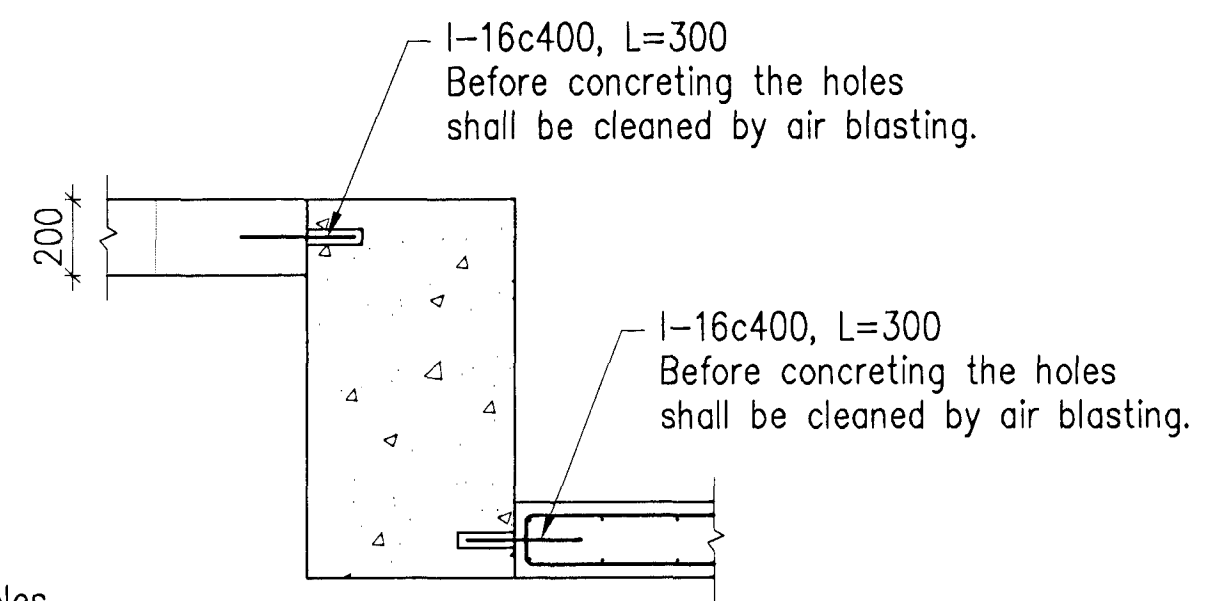


The location of rods M16 in height shall fit with the size of hollow core blocks so the rods hits in the joints between the blocks. Around that end is to be completely filled with mortar.

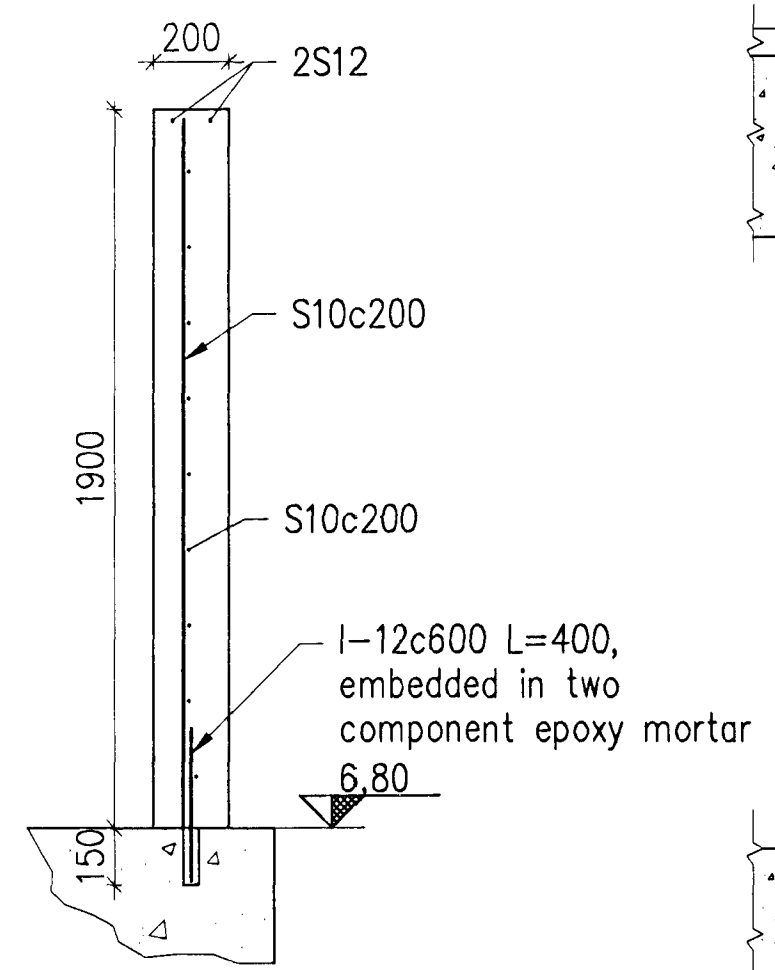
1 SECTION, 1:20



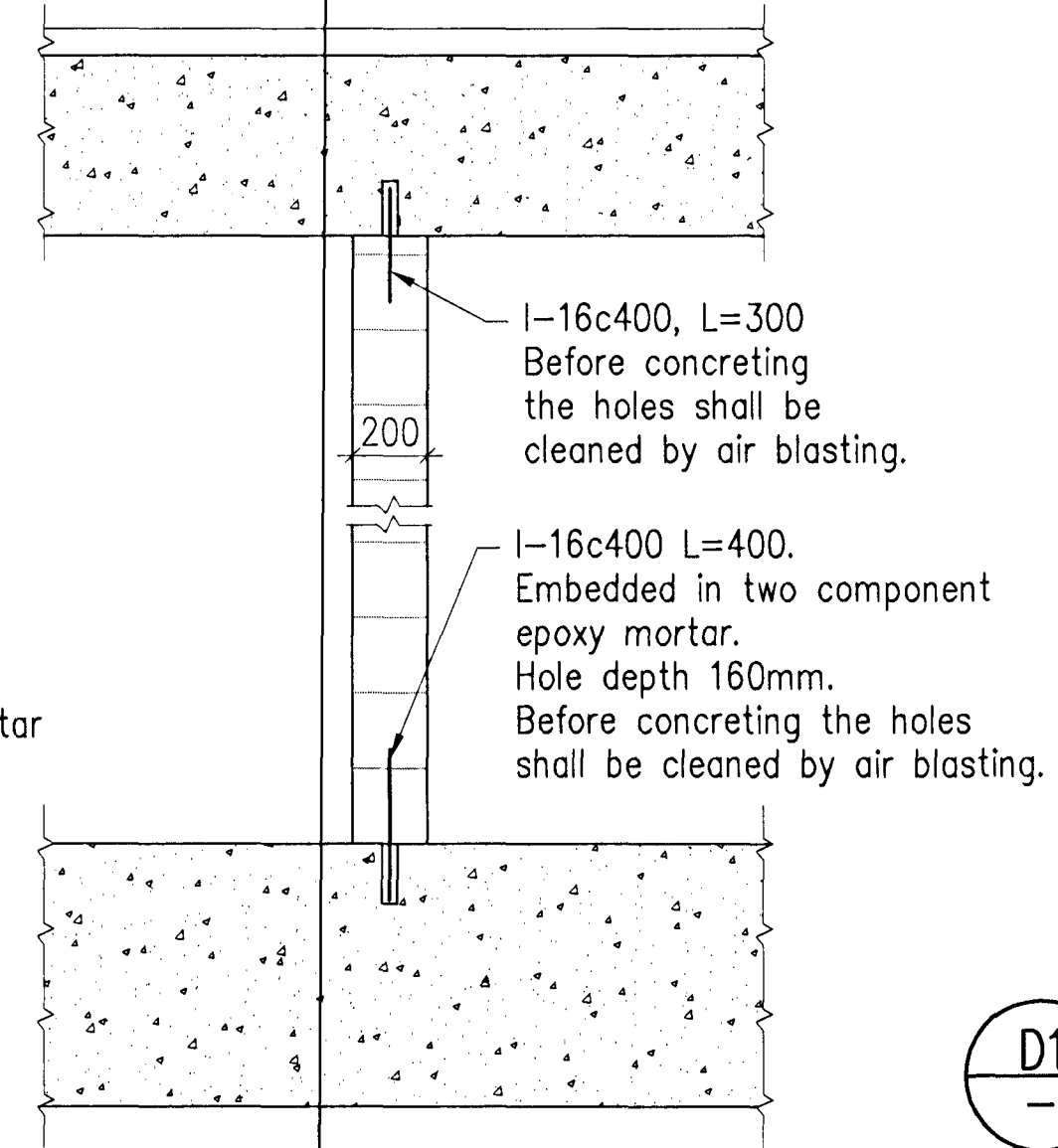
2 SECTION, 1:20



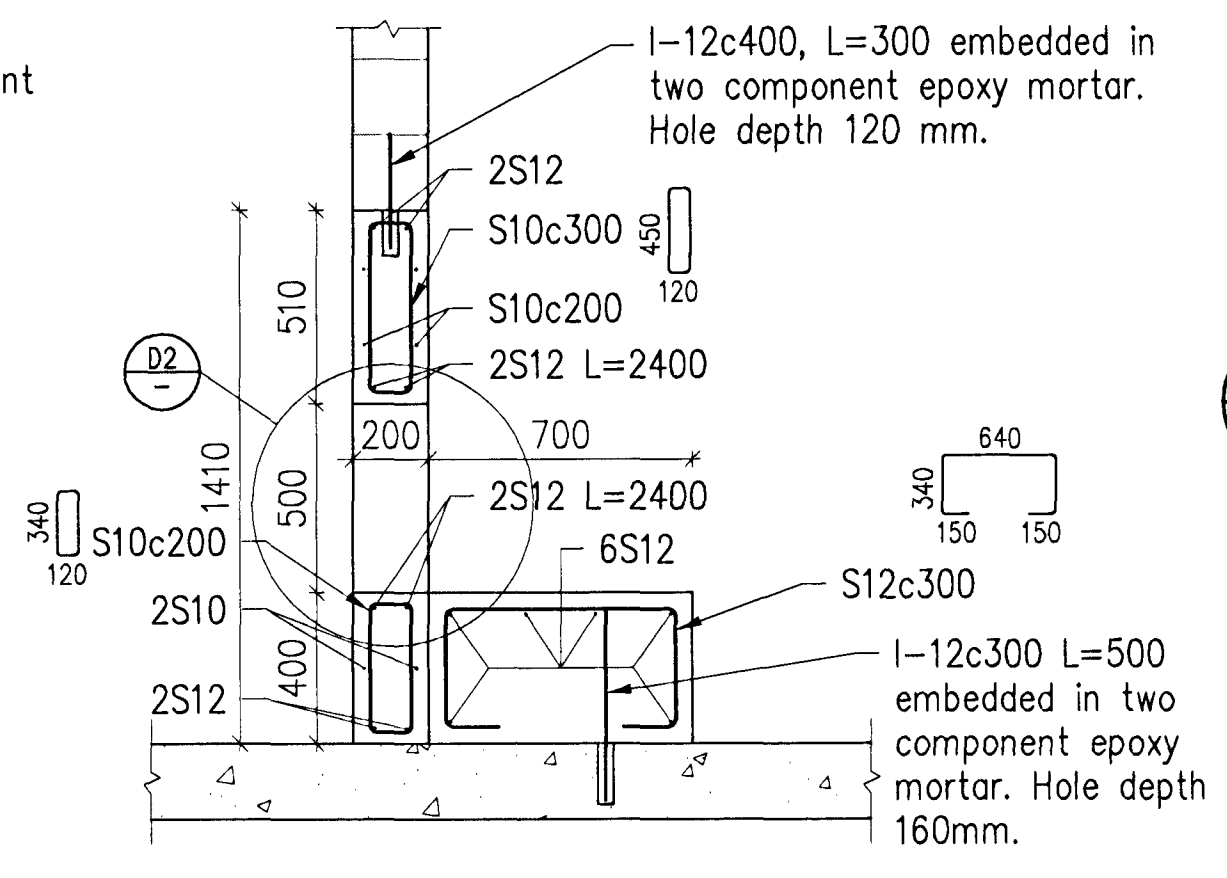
3 SECTION, 1:20



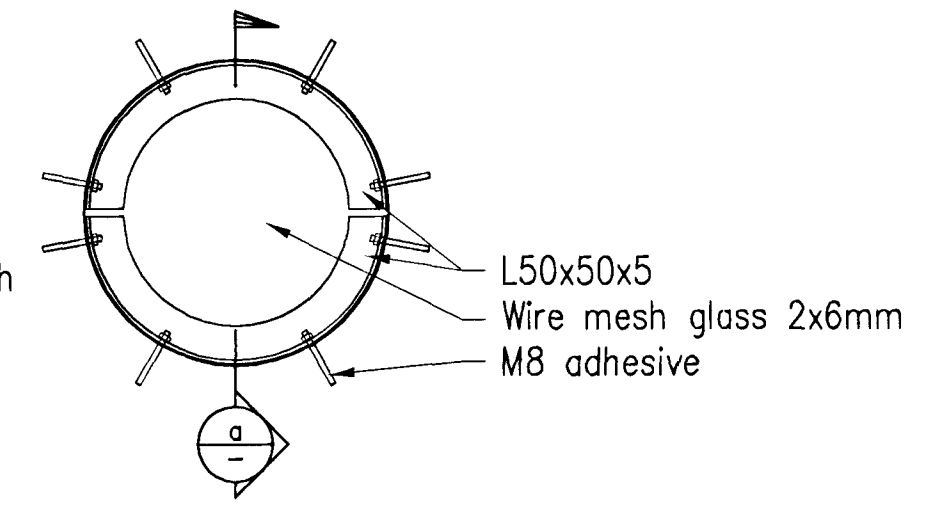
5 SECTION, 1:20



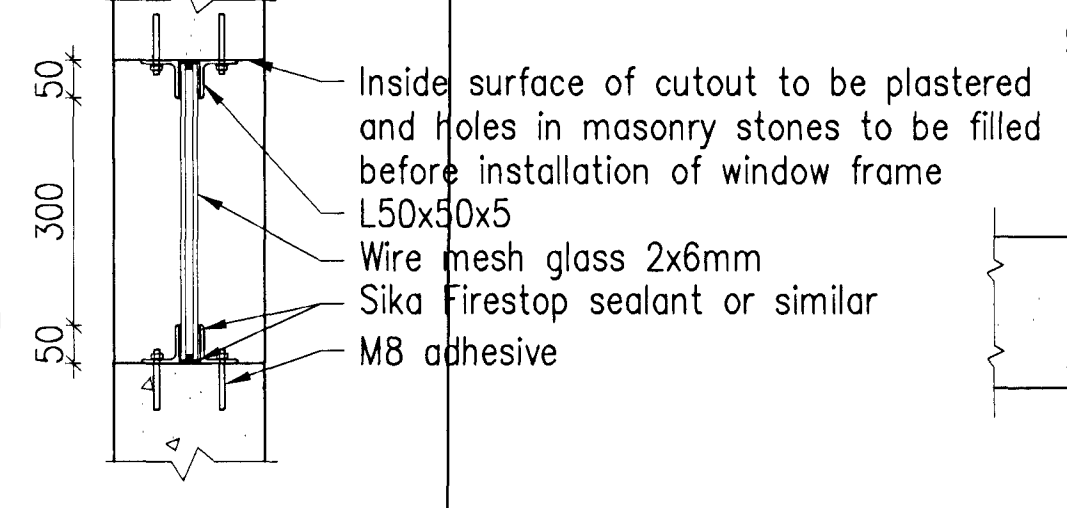
4 SECTION, 1:20



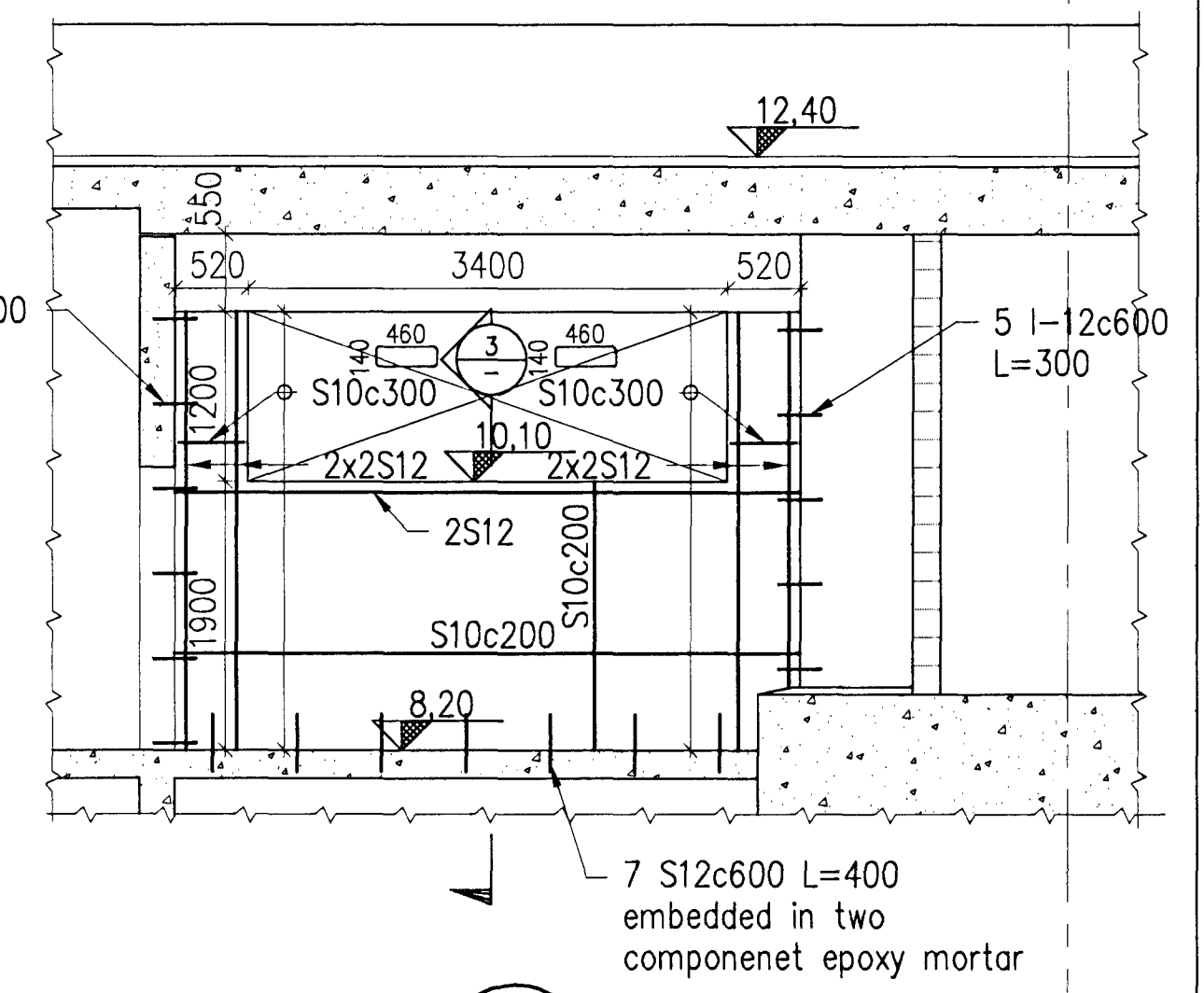
D SECTION, 1:10



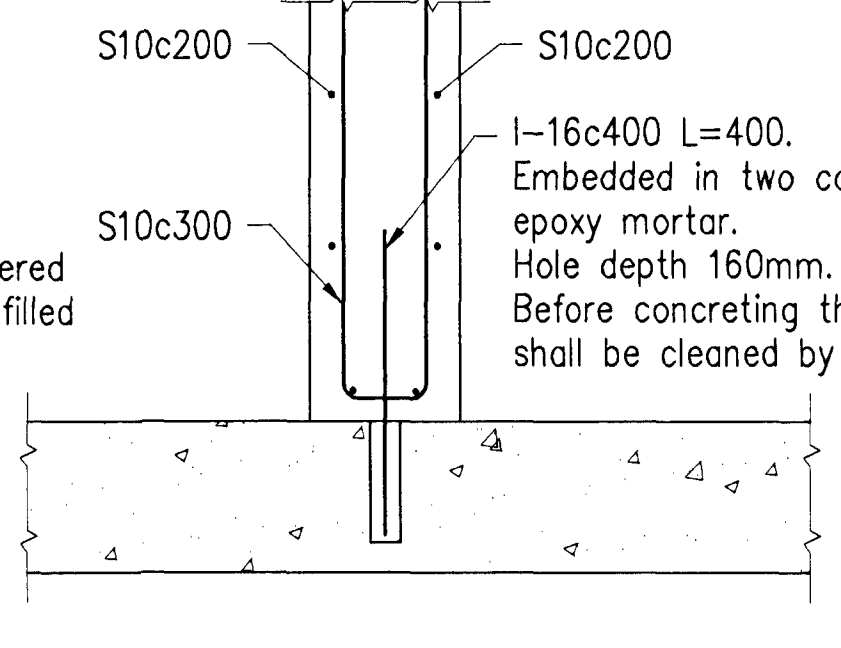
a SECTION, 1:10



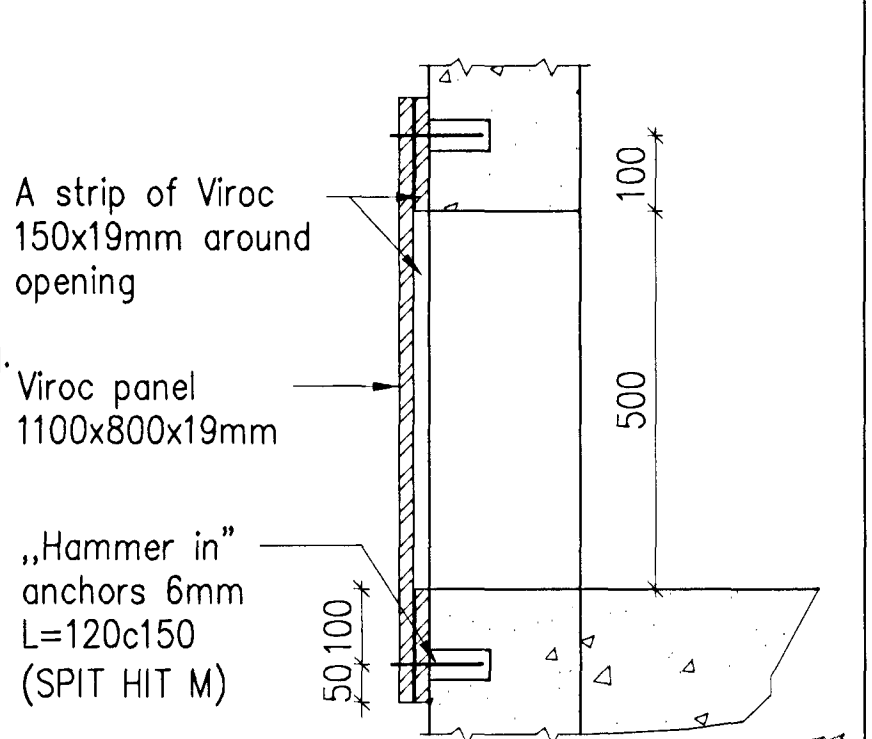
S2 SIDE VIEW, 1:50



D1 DETAIL, 1:10



D2 DETAIL, 1:10



Skýringar:
Legend:
Concrete cover 30 mm.
Concrete: C30/37.
Reinforcement: B500C
① Blue busbar openings.
② Recess for pot carrier.

Reinforcement:
• All connection points shall be separated by plastic tube, 5 mm.
• Plastic straps to be used for fastening of bars.
• All closed loops to be separated at ends by 30 mm.

8	Record drawing	2012.09.13	GMG	NI	BA	re
Óg nr	Lýsing	Dagsetning	Hun/Tin	Yfir	Notk heim	Notk heim
Rev no	Description	Date	Des/Orw	Chk	Suppl	ISAL Ref

This drawing is the property of Rio Tinto Alcan Iceland Ltd and handed out for personal use only. It may neither be copied nor made available to others without permission of Rio Tinto Alcan Iceland Ltd. The receiver is liable for any misuse.		Dagsetning / Date: 2011.07.14	
Skrá Formát: A1 Scale: 1:5, 1:10, 2:50		Hannab / Designed: SE	
Dimensions without tolerances according to ISO 2768-1 medium.		Tekn / Drawn: LDB	
HRVA HATCH ISAL PRODUCTION UNIT		Verktaki / Supplier: HRV	
Teikn.nr.verktaka / Supplier drw.no: IDP-410-CA-109-386		Teg.teikningar / Draw type: FORM WORK	
Sambúikt / Approved: NI		Yfir / Chkd: NI	
Húti af: / Part of:		Flökkur nr.: 4011	
		Blöð nr.: 13983	
		Nasta bl. nr.: AKS UB13	

IPU 410-RECTIFIER BUILDINGS-POTROOM 3		Flökkur nr.: 4011	
COLLECTOR BUSBAR ROOMS & INTAKE BUILD.		Blöð nr.: 13983	
SECTIONS, DETAILS AND SIDE VIEW		Nasta bl. nr.: AKS UB13	
RioTinto Alcan		Teikn.nr. ISAL / Draw no. of ISAL: 251325	
ISAL Yfirfarð og skráð, dags / ISAL Checked, date		ISAL Sambúikt, dags / ISAL Approved, date	