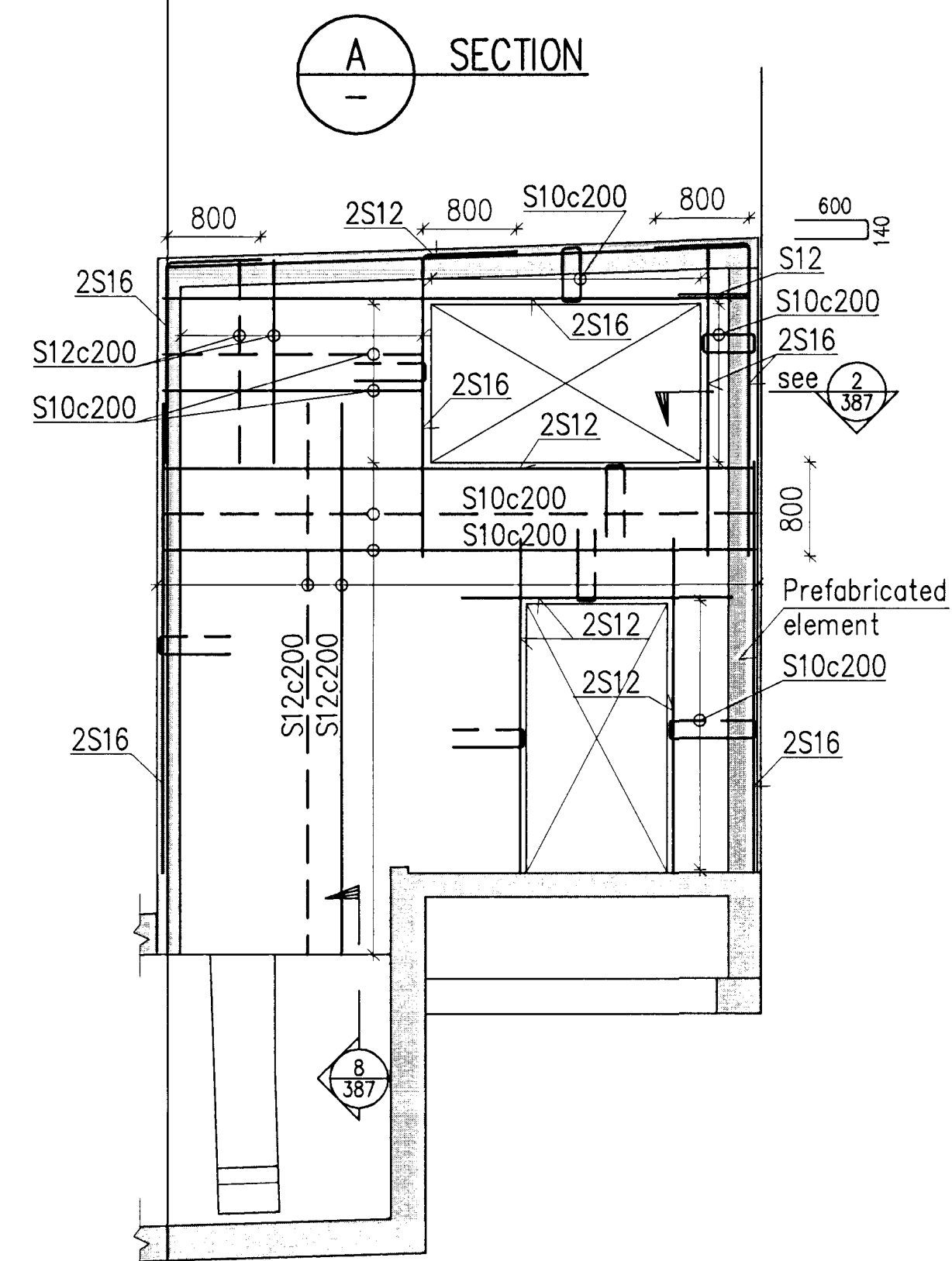
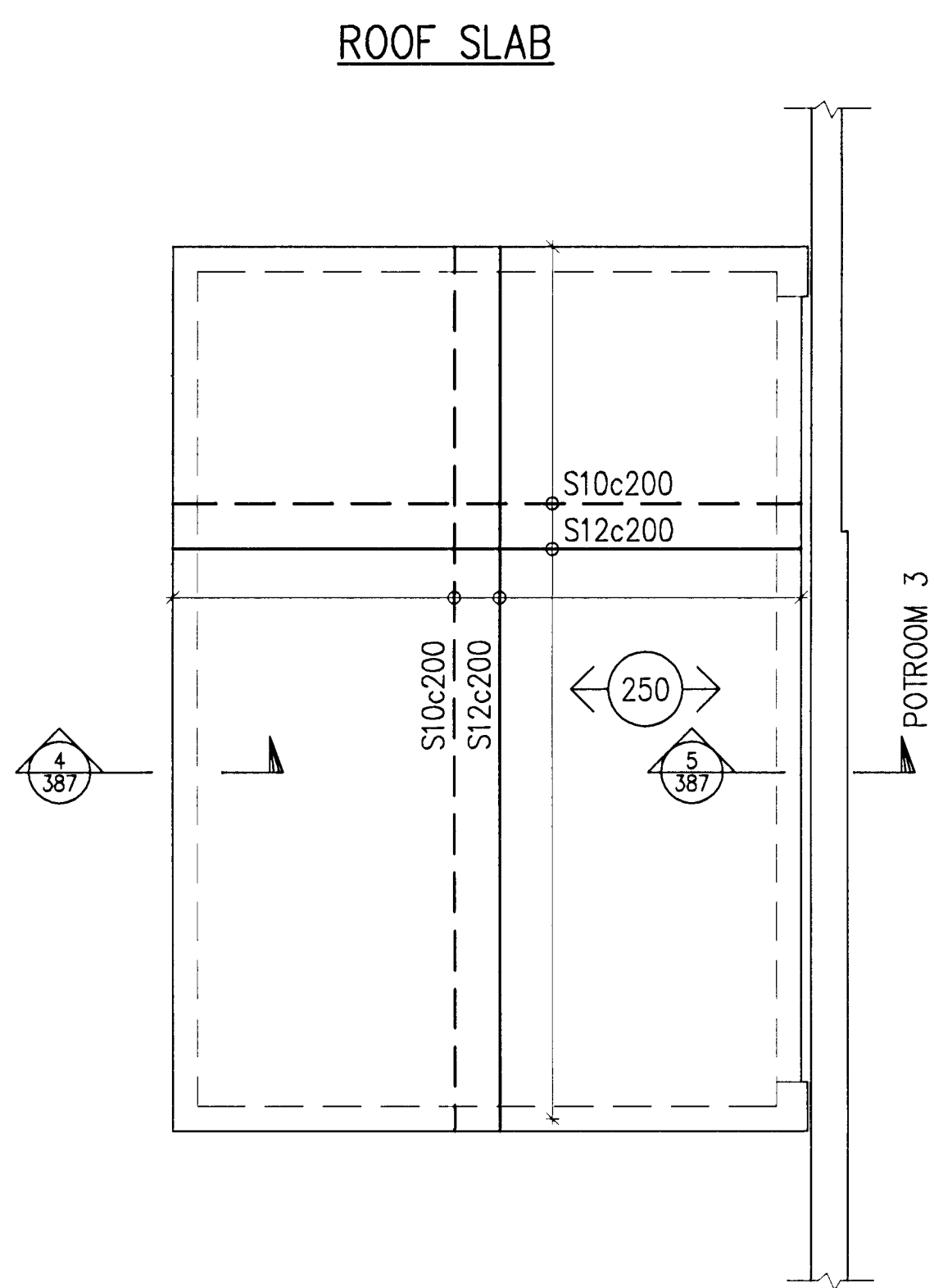
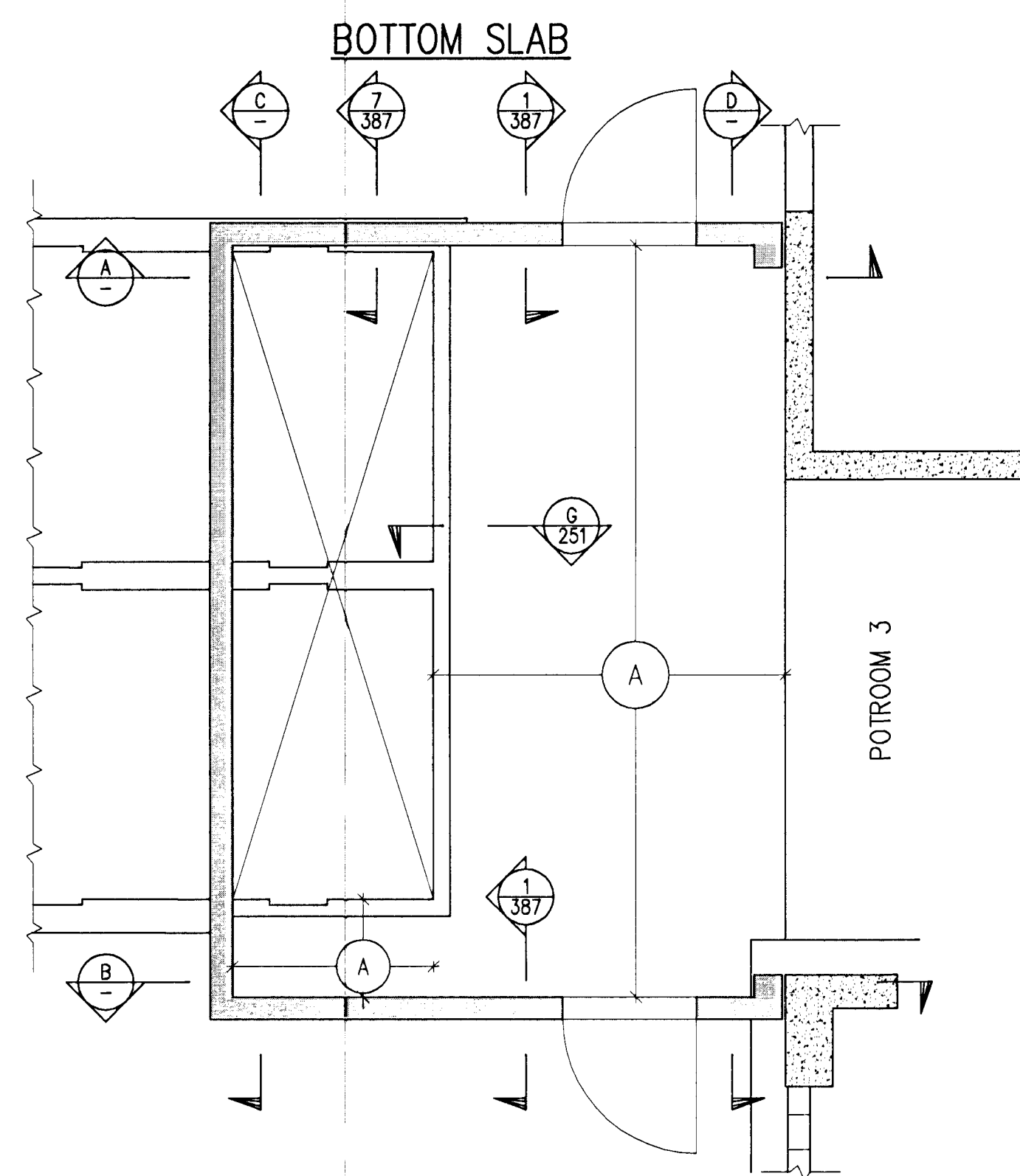
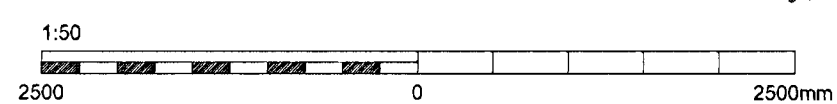
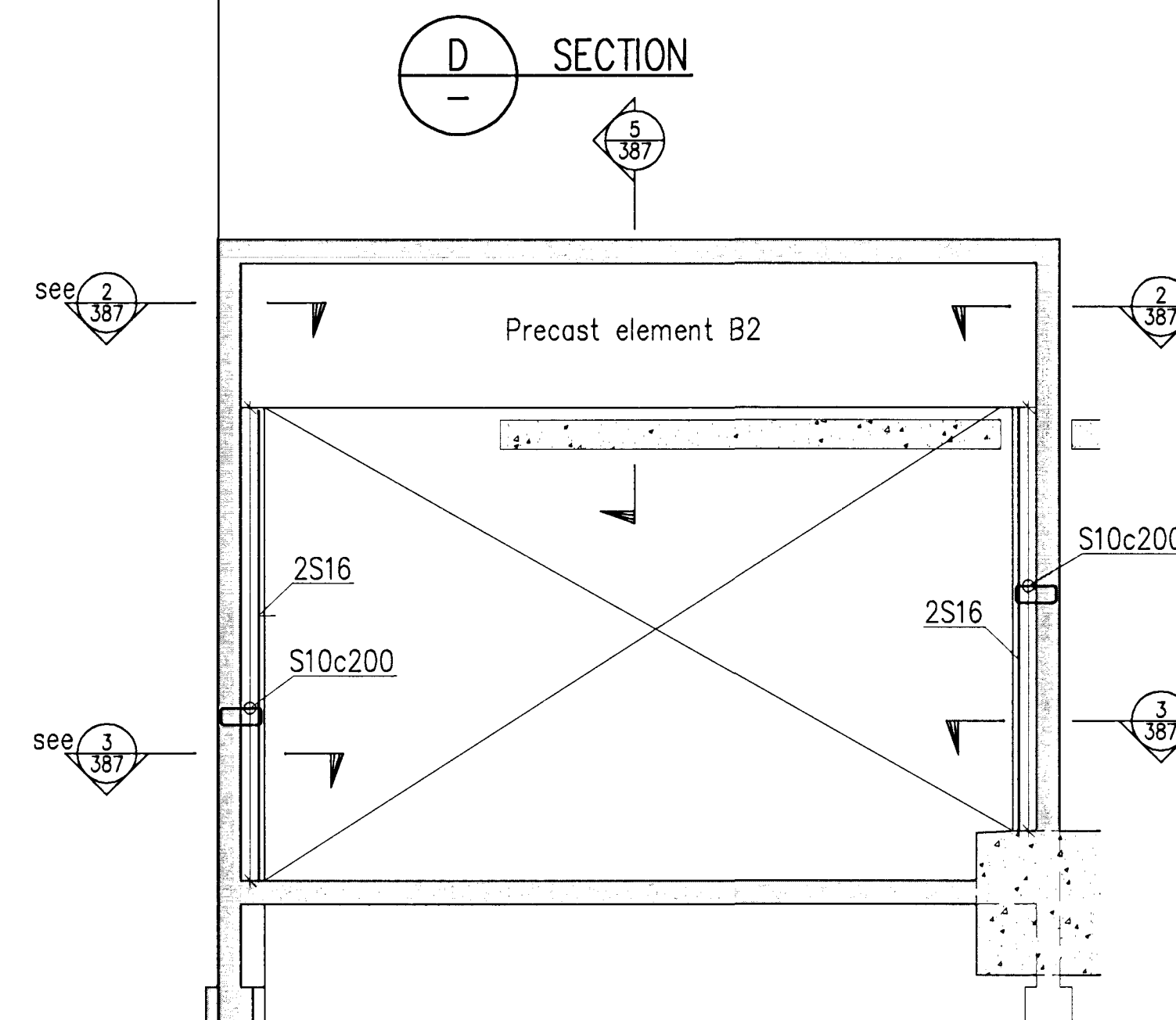
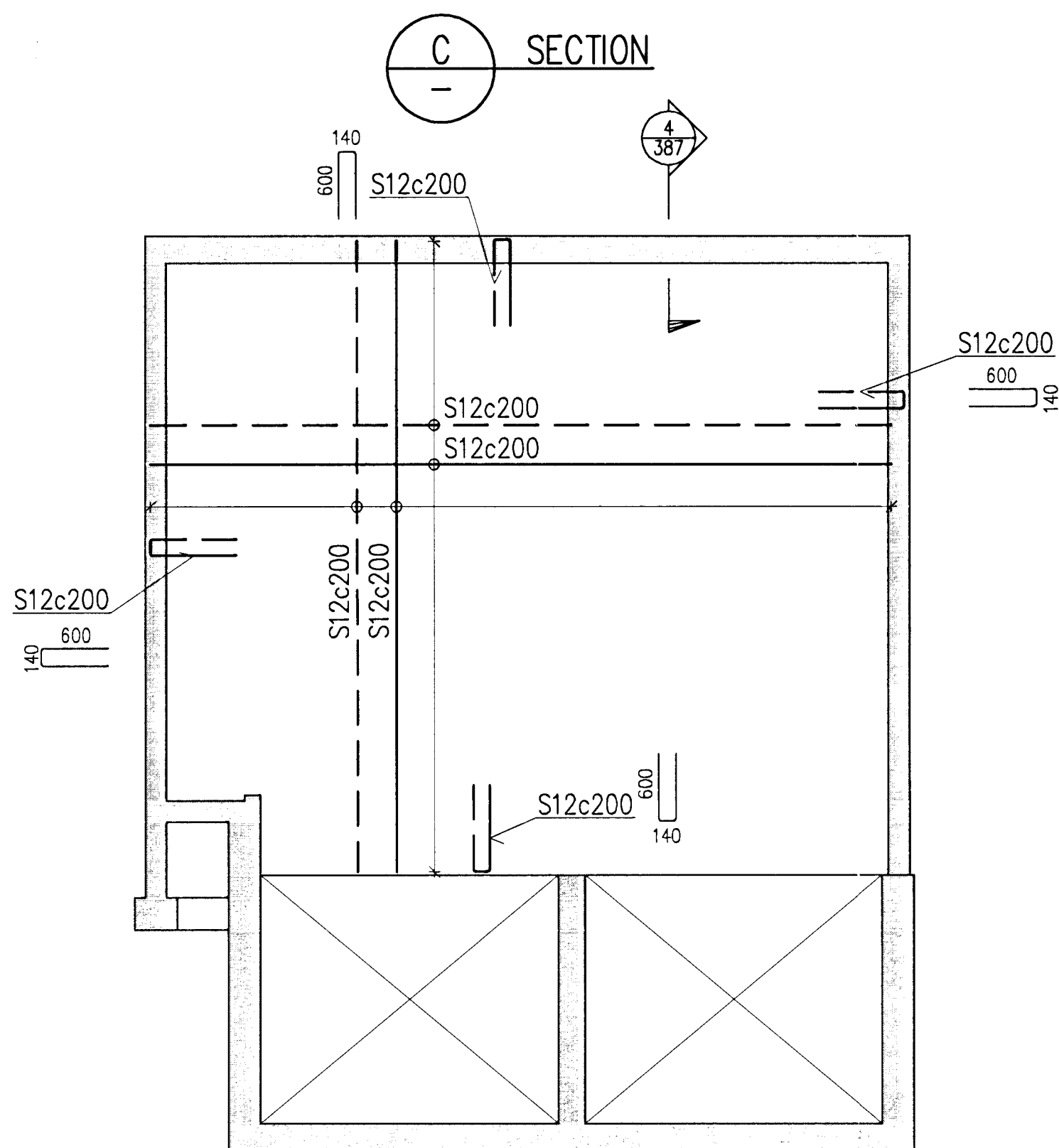
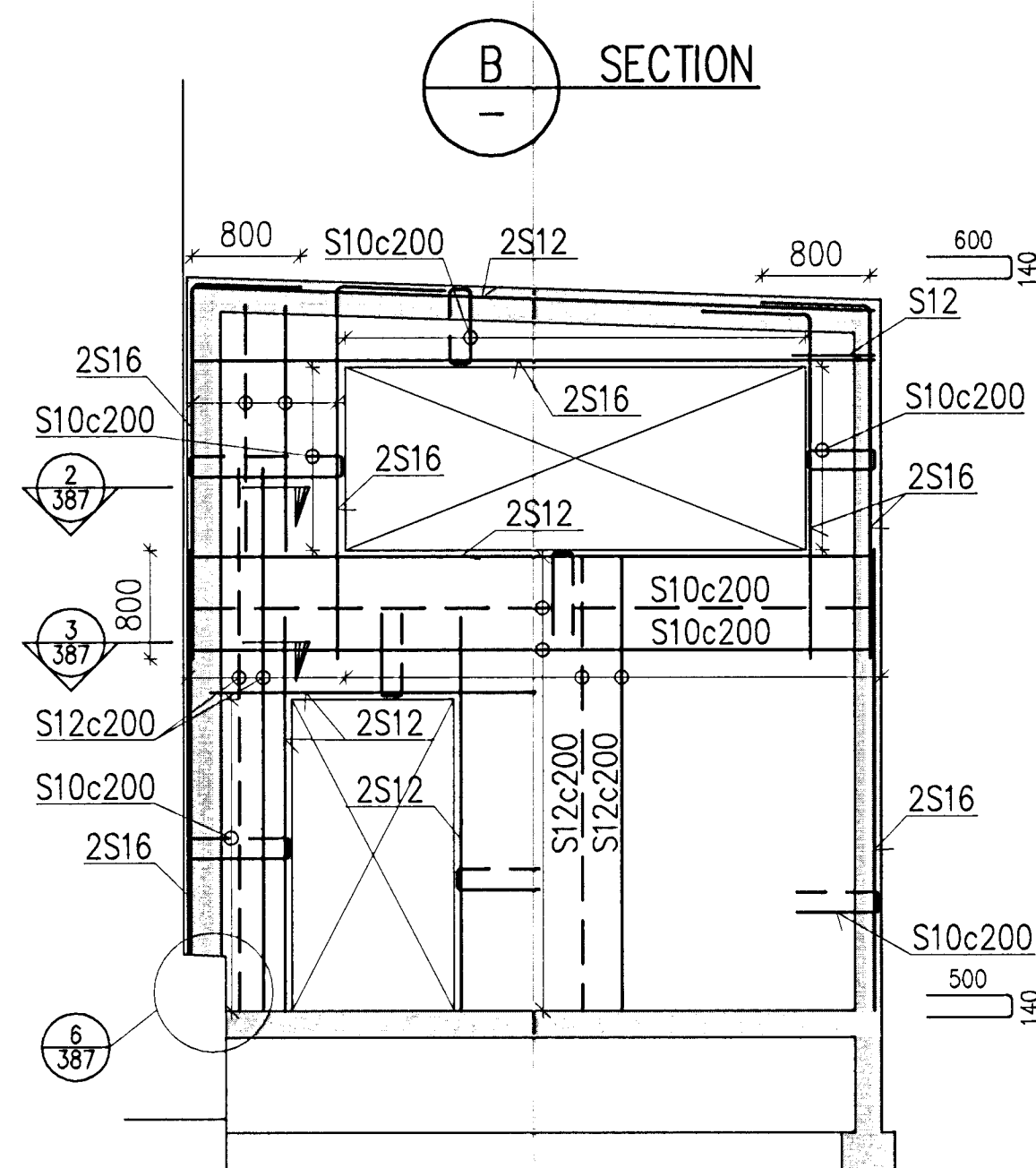
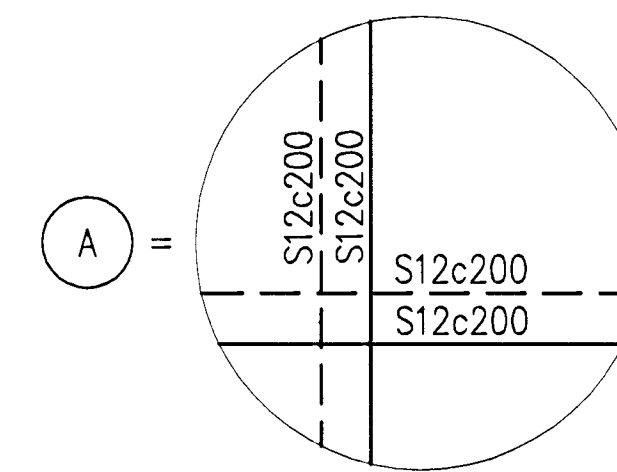


Níli Indriðason
 Kt. 181144-3949
 NI



NOTES



Skýringar / Legend:
 Concrete: C30/37; XF3-32
 Precast elements are shown on
 drw. IDP-410-CA-015-388

Fig. nr / Rev. no	Lýsing / Description	Dagsetning / Date	Har/Ún / Des/Drw	Yfir / Ckd	Notk. heim / Notk. heim / Suppl. Rel / ISAL Rel
12	Record drawing	2012.09.12	HS	NI	bg rrr

This drawing is the property of Rio Tinto Alcan Iceland Ltd. and handed out for personal use only. It may neither be copied nor made available to others without permission of Rio Tinto Alcan Iceland Ltd. The receiver is liable for any misuse.
 Scale: 1:50
 Dimensions without tolerances according to ISO 2768-1 medium.

Dagsetning / Date	2011.02.21
Hannað / Designed	GMG
Tekn. / Drawn	GMG
Verktaki / Supplier	HRV
Tekn.nr.verktaka / Supplier drw.no	IDP-410-CA-015-388
Samþykkt / Approved	NI
Yfir / Chkd	NI
Hluti af / Part of:	

IPU 410 - RECTIFIER BUILDINGS INTAKE BUILDING PL 3 PLAN VIEW AND SIDE VIEWS	Flokkur nr.: 4011	Blað nr.: 13983	Næsta bl. nr.: AKS UB13
RioTinto Alcan	ISAL Alcan Iceland Ltd Straumsvík IS-222 Hafnarfjarður Ísland	Tekn.nr. ISAL / Drw.no. of ISAL 251304	Breyt./Rev. A
ISAL Yfirbúð og skráð, dags / ISAL Checked, date		ISAL Samþykkt, dags / ISAL Approval, date	