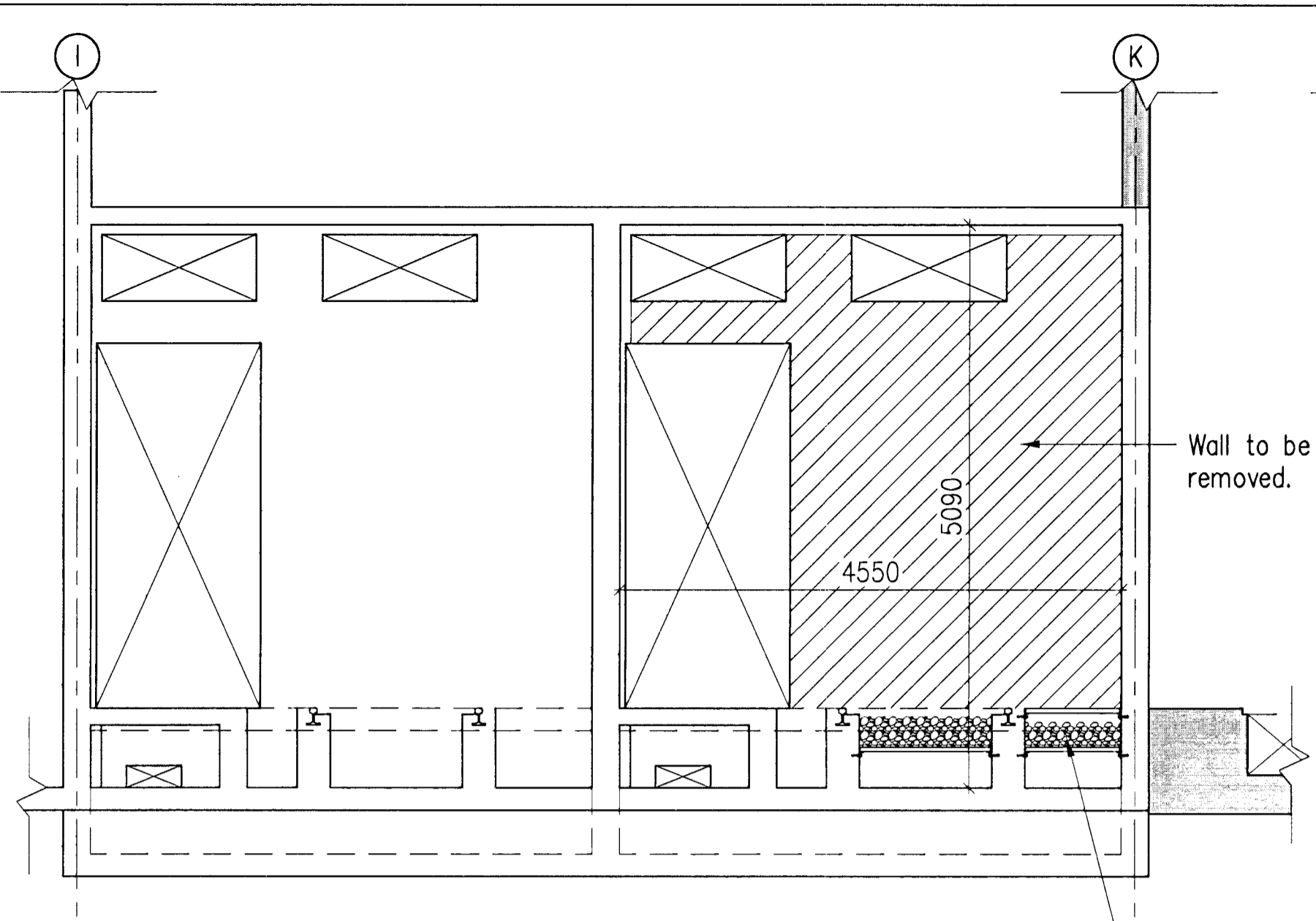
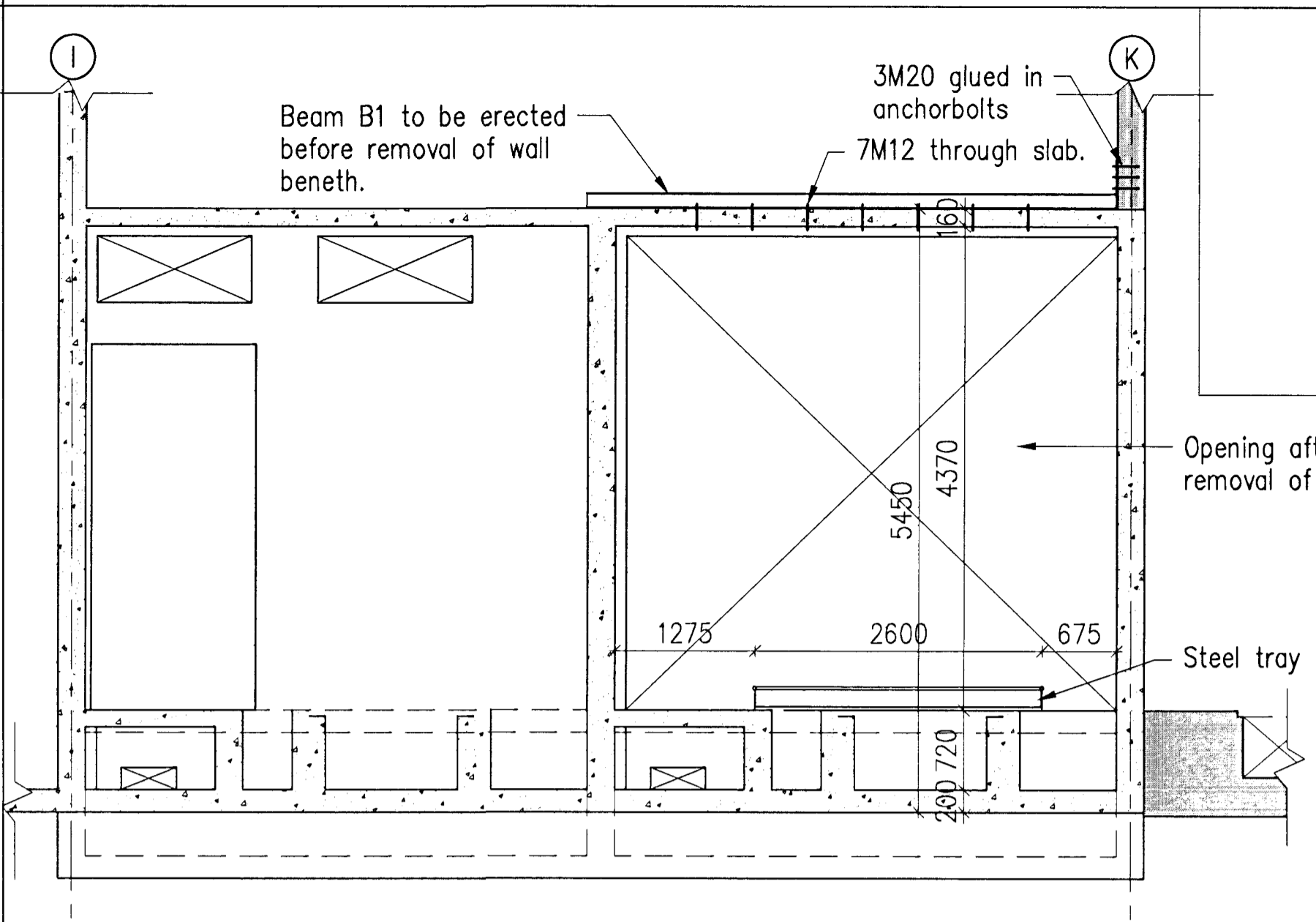


PLAN VIEW, 1:50



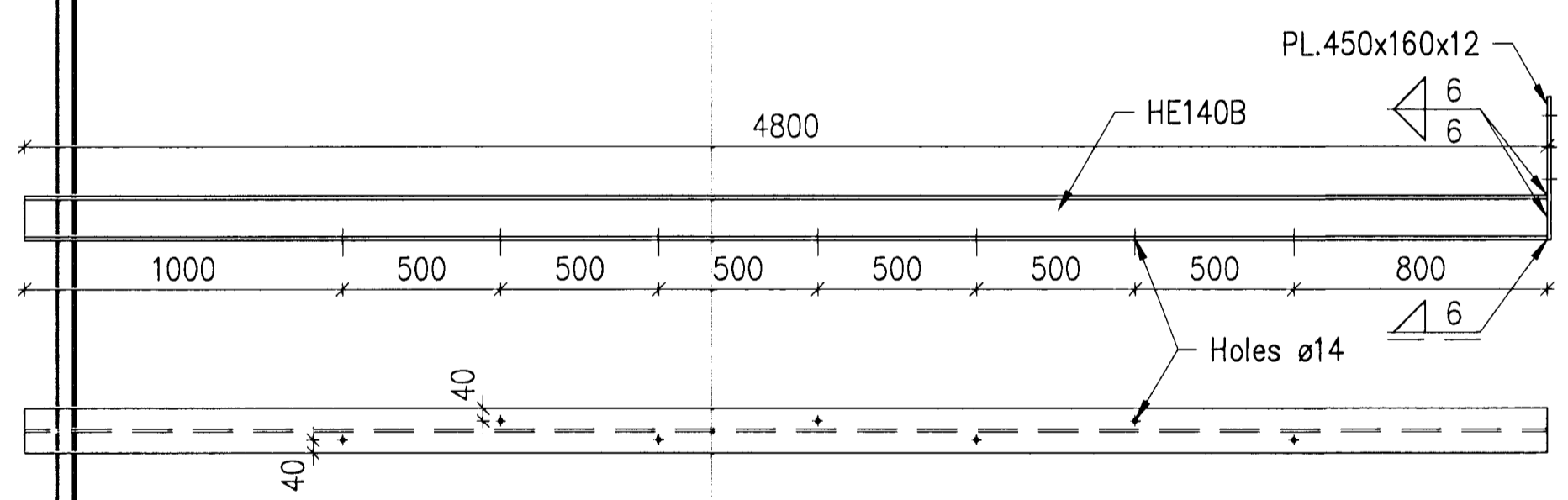
1 SECTION, 1,50
- Before removal of wall



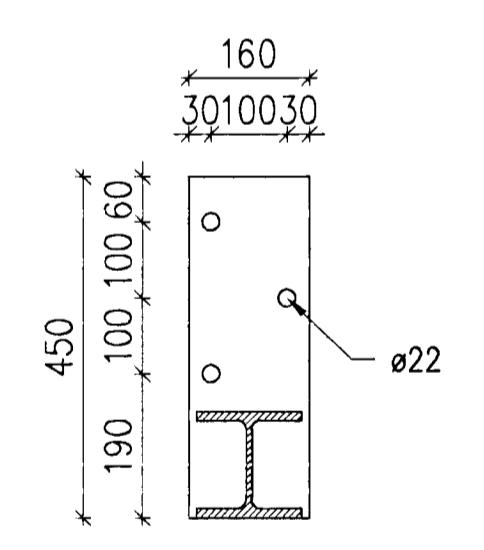
1 SECTION, 1,50
- After removal of wall

Samþykkt þann
02 OCT 2012
Byggingafráttir / Hafnarfráttir
F.h. Sigurður Steinar Jónsson

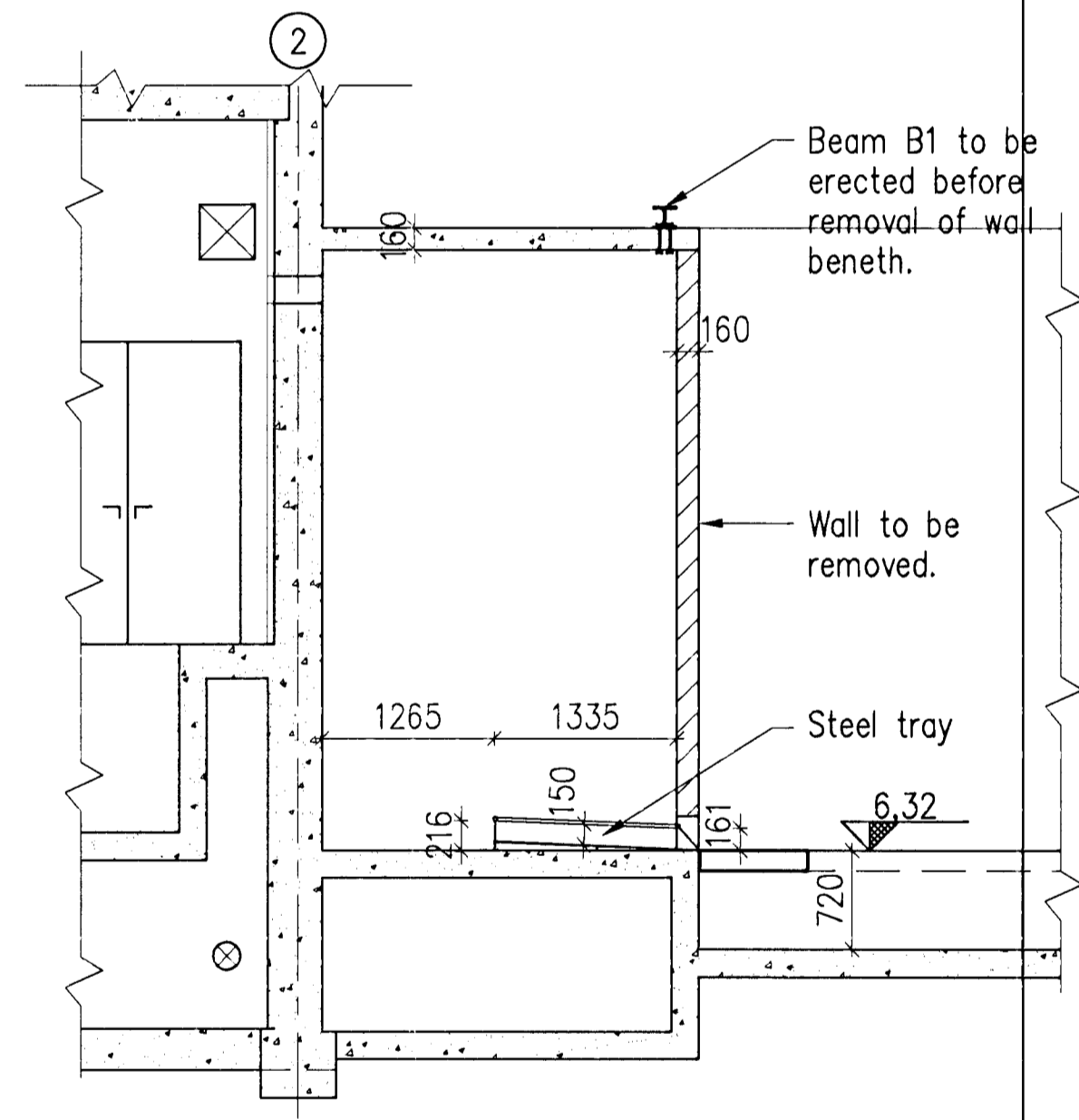
Opening after removal of wall.
Niels Indriðason
Kt. 181144-3949
NI



BEAM B1, 1:20

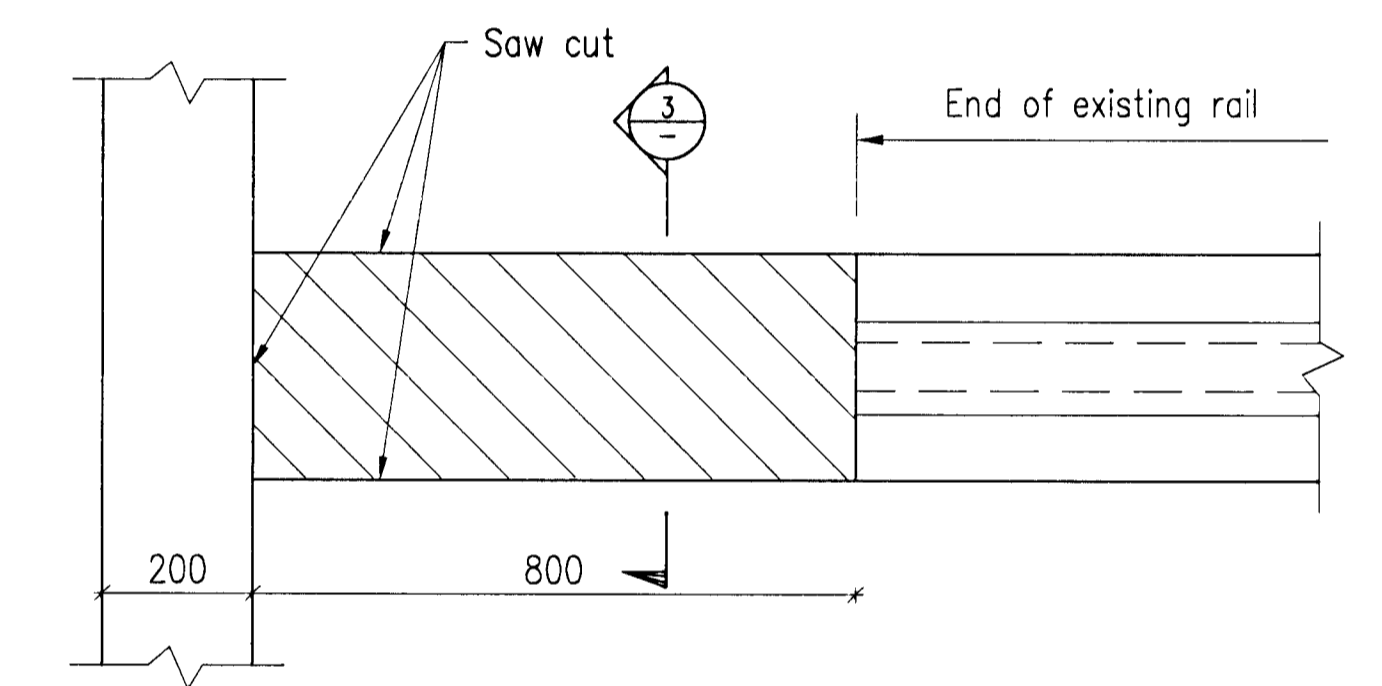


PL.450x160x12, 1:10

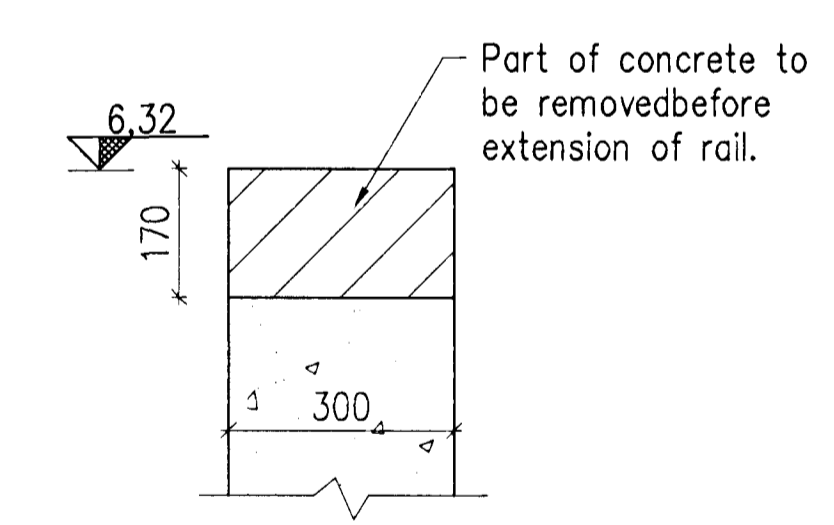


2 SECTION, 1,50

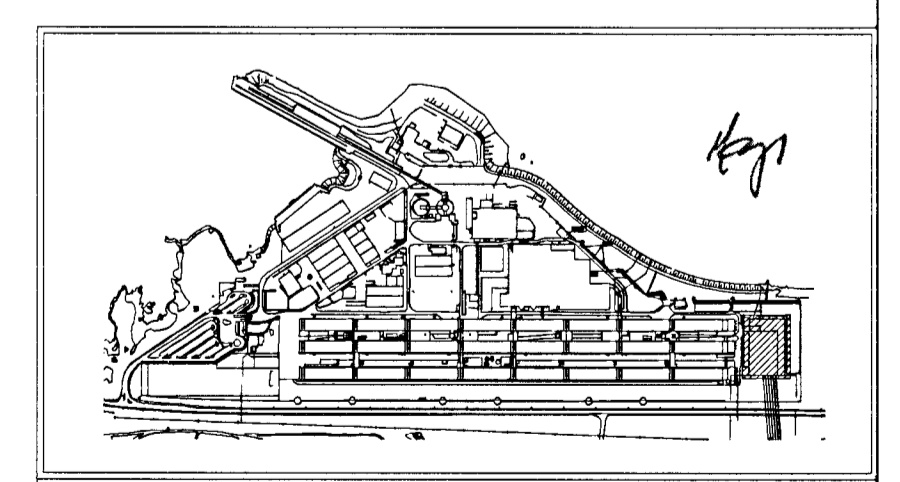
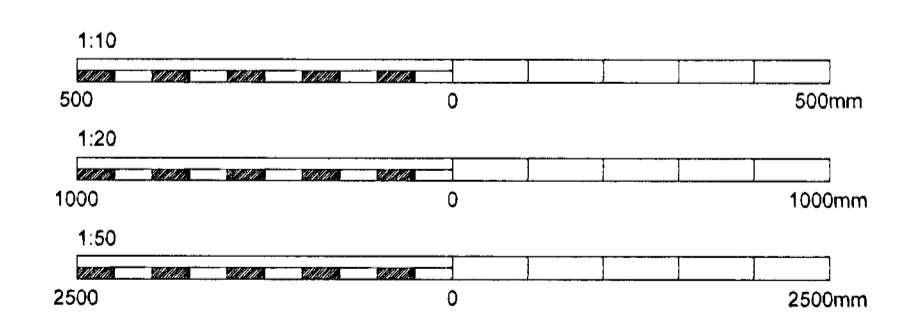
Connection of B1 to slab:
Bolts 7M12 threaded rods through slab.
Sleeves 50x5mm+nuts M12 beneath slab.



D1 DETAIL, 1,10



3 SECTION, 1:10



IPU Keyplan - Scale: 1:15000

Skýringar:
Legend:

3	As Built	2012.03.13	SE	NI	BS	RE			
Útg nr	Rev no	Lýsing	Description	Dagsetning	Date	Horn/Ten	Des/Drw	Yfirl	Old
								Notk heim	Notk heim
								Suppl	ISAL
								ISAL	RA

This drawing is the property of Rio Tinto Alcan Iceland Ltd. and handed out for personal use only. It may neither be copied nor made available to others without permission of Rio Tinto Alcan Iceland Ltd. The receiver is liable for any misuse.

Scale: 1:10, 20, 50
Dimensions without tolerances according to ISO 2788-1 medium.



Dagsetning / Date	2011.08.08
Hannað / Designed	SE
Tekn / Drawn	SE
Verktaki / Supplier	HRV
Tekn.nr.verktaka / Supplier drwno.	IDP-412-CA-015-001
Sinnhætt / Approved	NI
Yfirl / Chkd	NI
Hluti af / Part of:	

IPU - 410 MAIN SUBSTATION		Flokkur nr.: Blað nr.:	Nesta blinn:
BAY FOR 30 MVA TRANSFORMER, 07D12		Kostn.nr.-Ceno. / Búnr.-Eqno	01188
PLAN VIEW, SECTIONS AND DETAIL		AKS	UB01
DEMOLITION WORK		ISAL	251328
RioTintoAlcan		Tekn.nr. ISAL / Drwno. of ISAL	A
ISAL Yfirfarð og ákrið, dags / ISAL Checked, date		ISAL Samþykkt, dags / ISAL Approval, date	