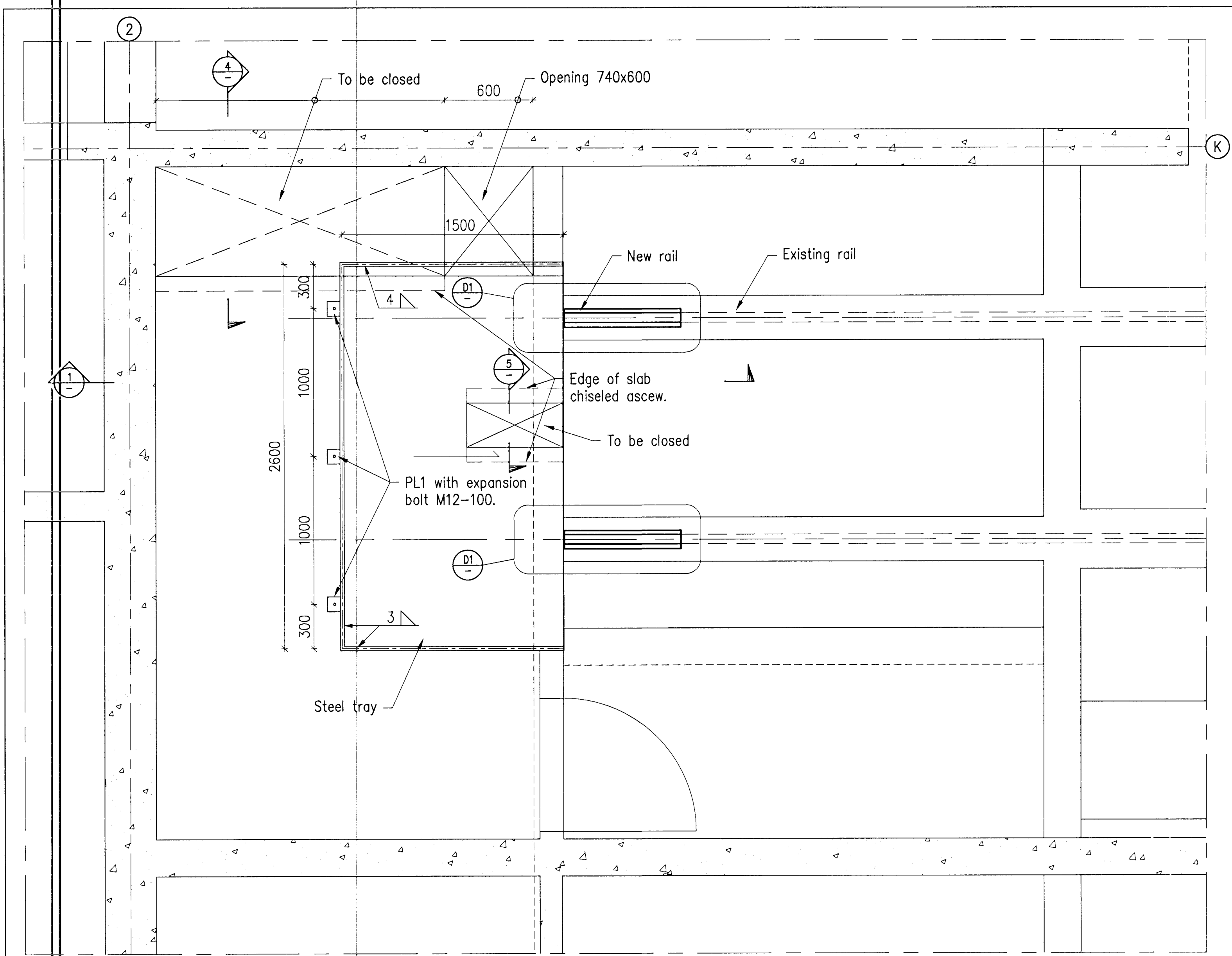
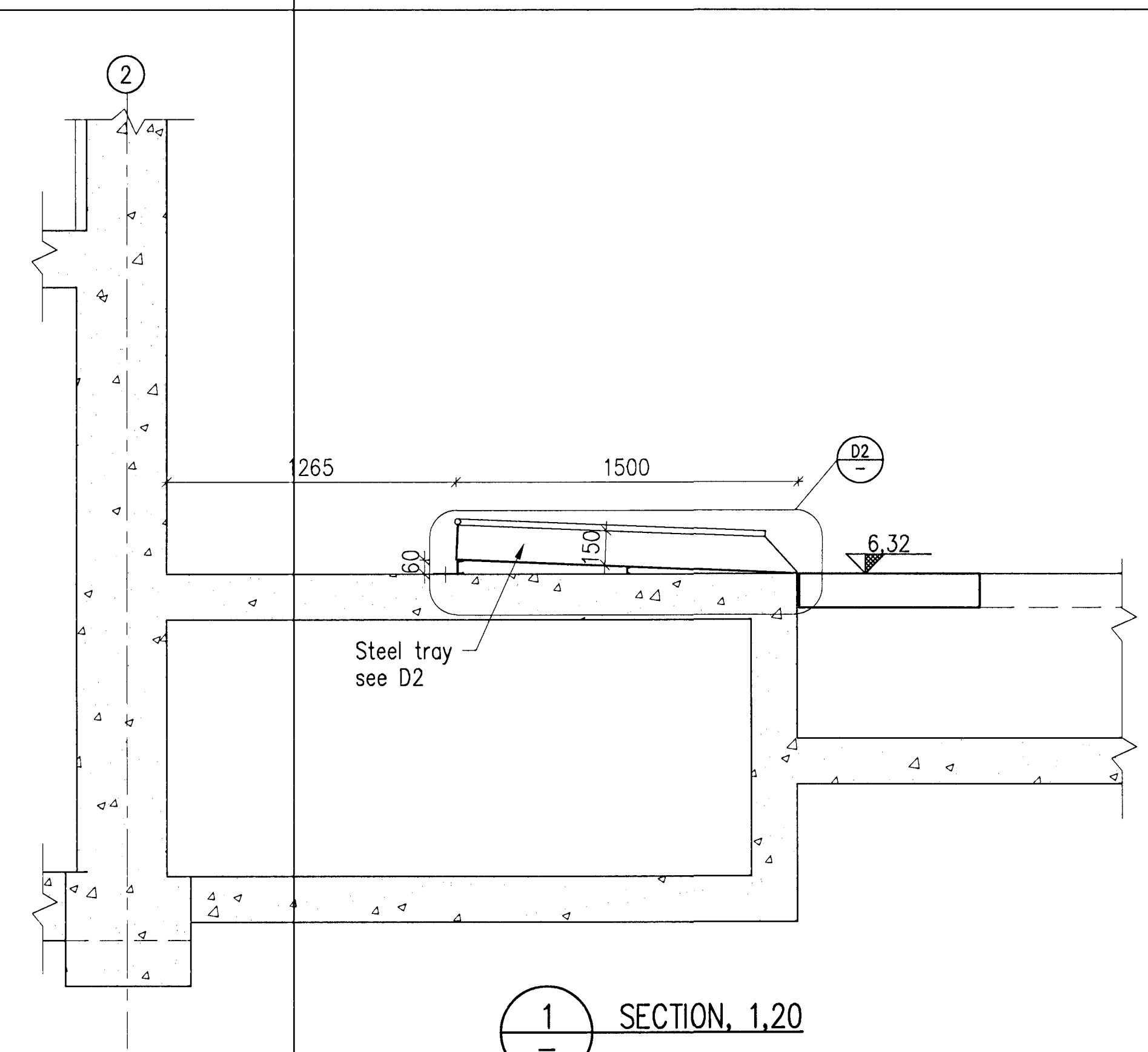


Samþykkt þann
 02 OCT 2012
 Byggingafrútrúnn í Hafnarfirði
 F.h. Sigurður Steinar Jónsson

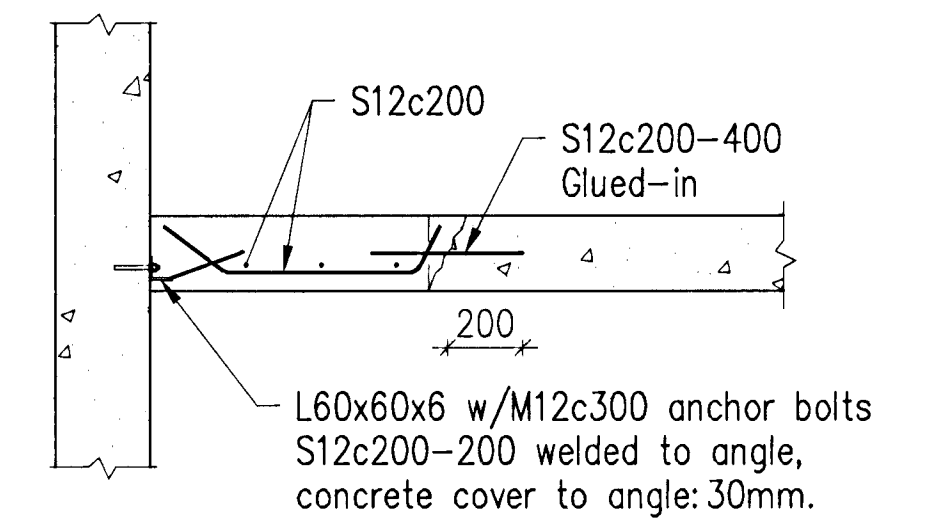
Níels Indriðason
 Kt. 181144-3949



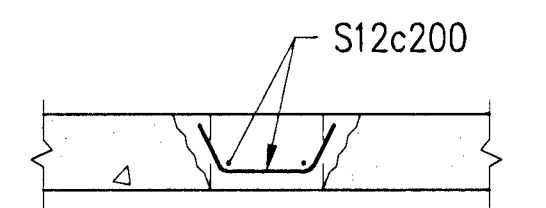
A PART OF BAY AREA, PLAN VIEW, 1:20



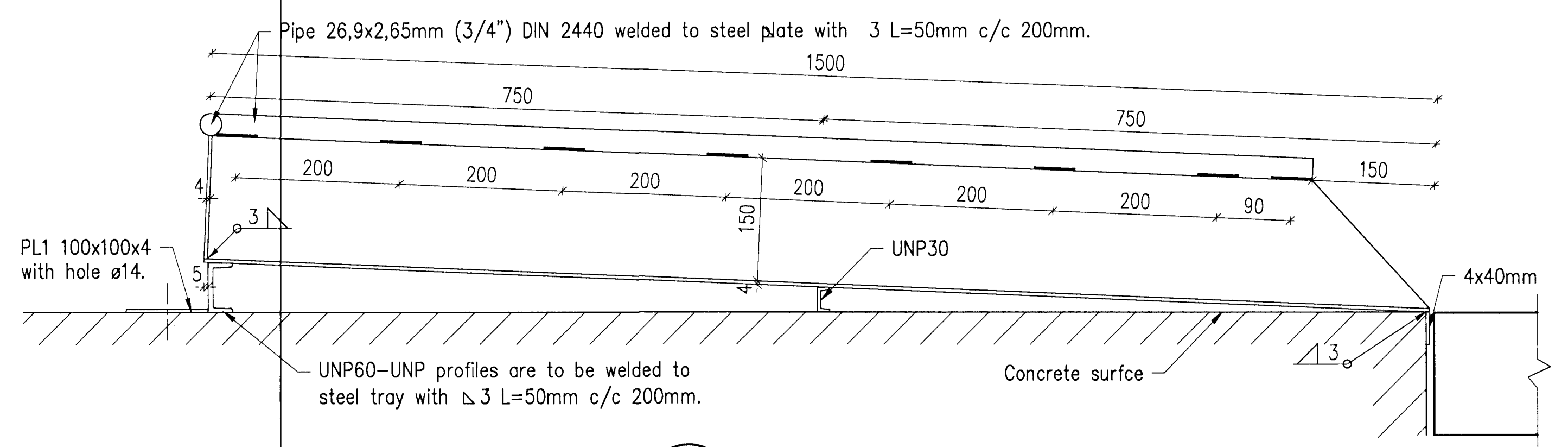
1 SECTION, 1,20



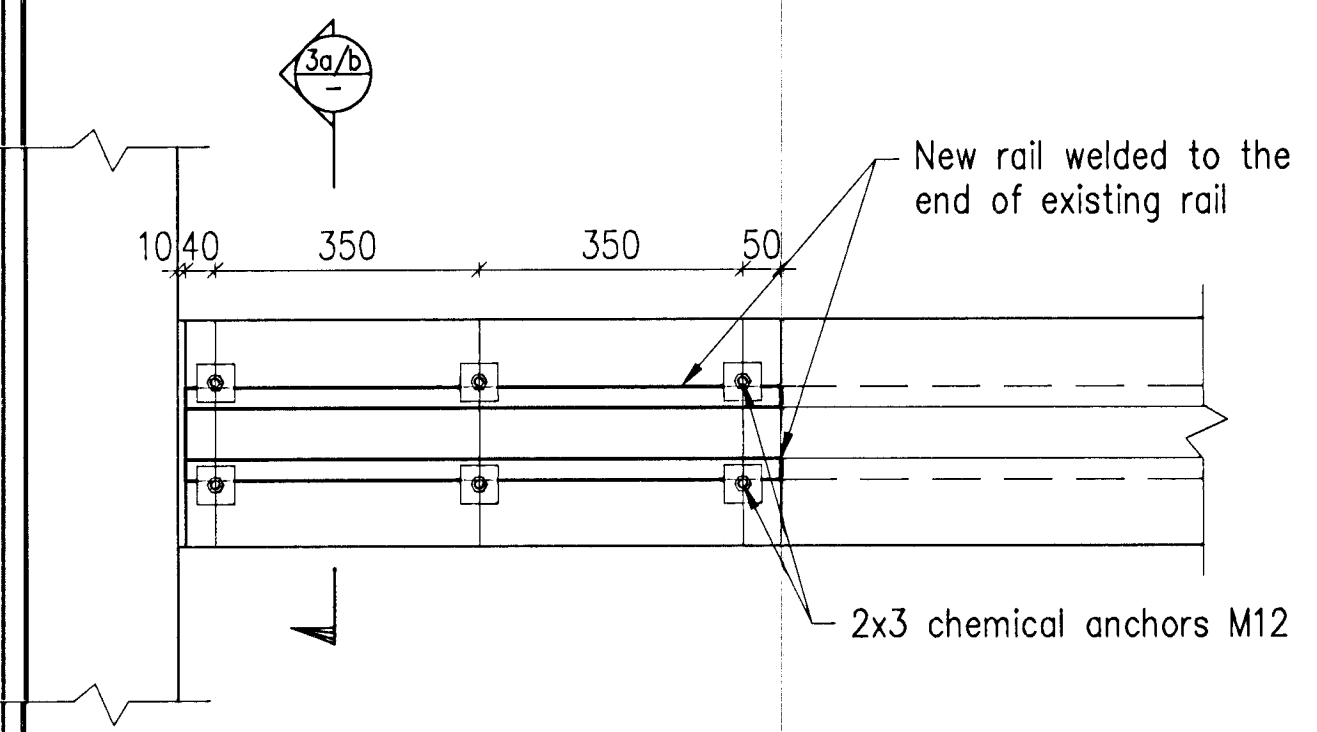
4 SECTION, 1,20



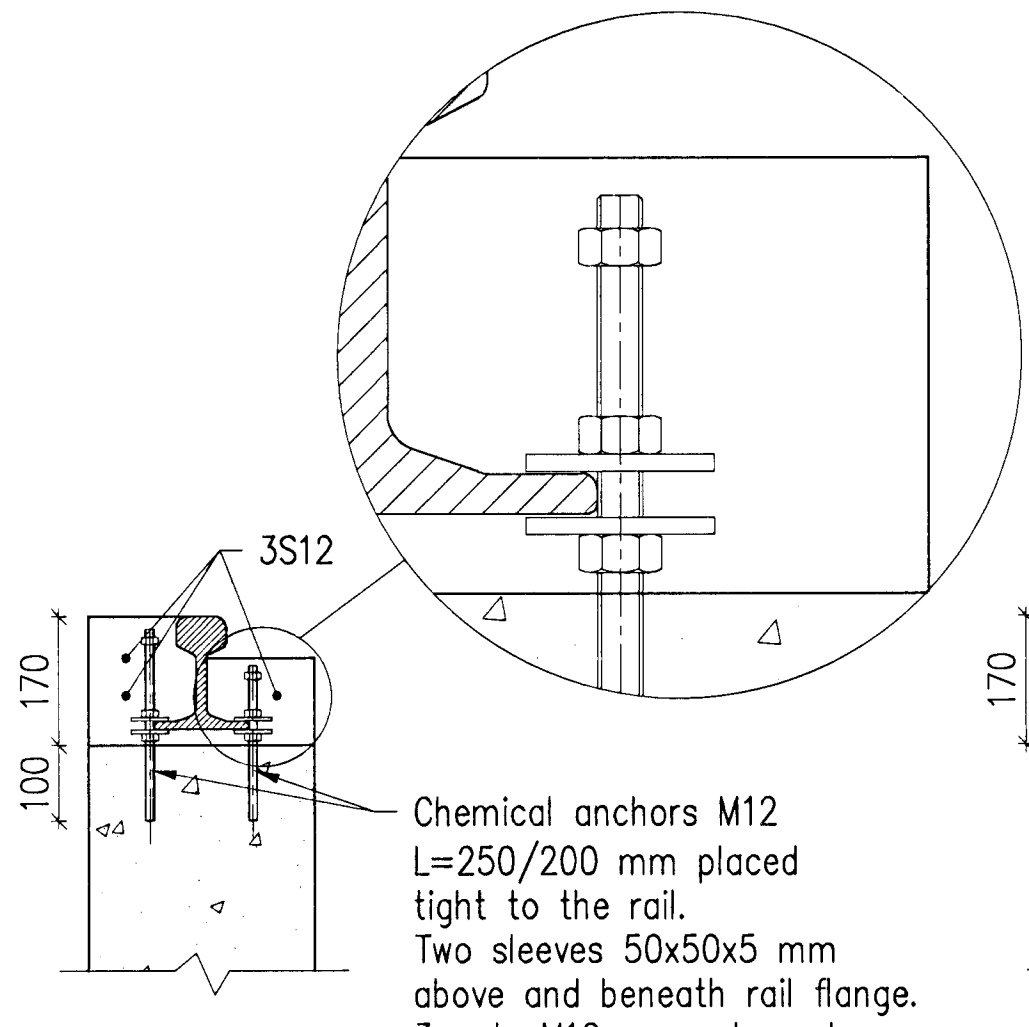
5 SECTION, 1,20



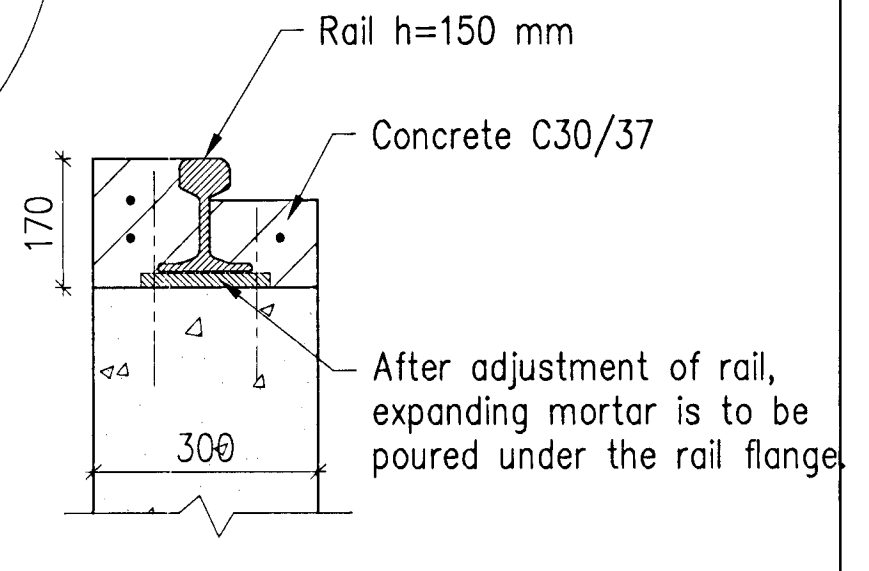
D2 DETAIL, 1,5



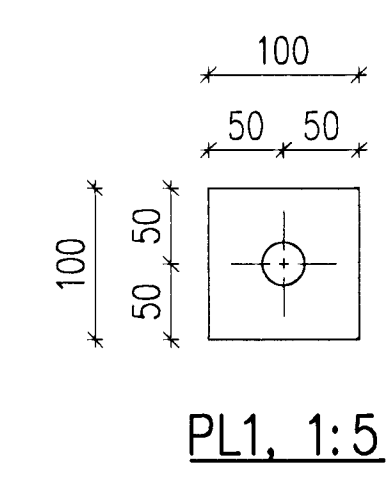
D1 DETAIL, 1:10



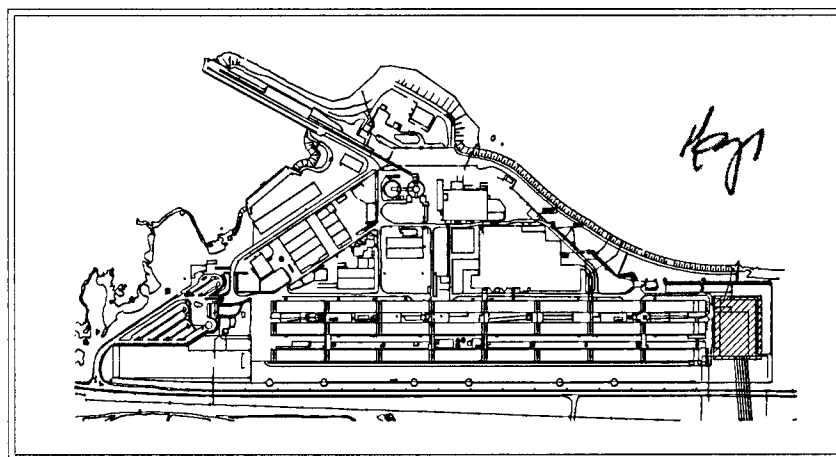
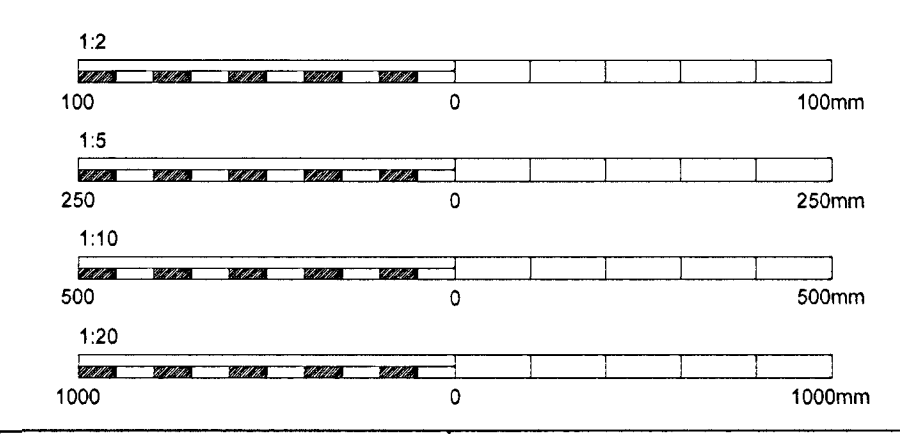
3a SECTION, 1,10



3b SECTION, 1,10



PL1, 1:5



IPU Keyplan - Scale: 1:15000

Skýringar:
 Legend:

4	As Built	2012.03.13	SE	NI	SE	SE	SE	SE
Útg. nr.	Revisión	Dagsetning	Har/Ún	Yfir	Nok	Nok	Nok	Nok
		Date	Des/Drw	Old	halm	halm	halm	halm
					Súpl	Súpl	Súpl	Súpl
					Rel	Rel	Rel	Rel

This drawing is the property of Rio Tinto Alcan Iceland Ltd. and handed out for personal use only. It may neither be copied nor made available to others without permission of Rio Tinto Alcan Iceland Ltd. The receiver is liable for any misuse.	
Scale: 1:10/20	Dimensions without tolerances according to ISO 2768-1 medium.

Dagsetning / Date	2011.08.08
Hannað / Designed	SE
Tekn / Drawn	SE
Verktaki / Supplier	HRV
Tekn.nr.verktaka / Supplier drw.no	IDP-412-CA-015-002
Sambúi / Approved	NI
Húti af / Part of	NI

IPU - 410 MAIN SUBSTATION		Flokkur nr. / Blað nr.:	Nesta blinn.:
BAY FOR 30 MVA TRANSFORMER, 07D12		Kostn.nr.-Ócho. / Búnr.-Eq.no	01188
PLAN VIEW, SECTIONS AND DETAIL		AKS	UB01
CONCRETE WORK		Tekn.nr. ISAL / Drw.no. of ISAL	Breyt./Rev.
		251329	A
ISAL Yfirráð og skýr. dags / ISAL Checked, date ISAL Samþykkt. dags / ISAL Approved, date			