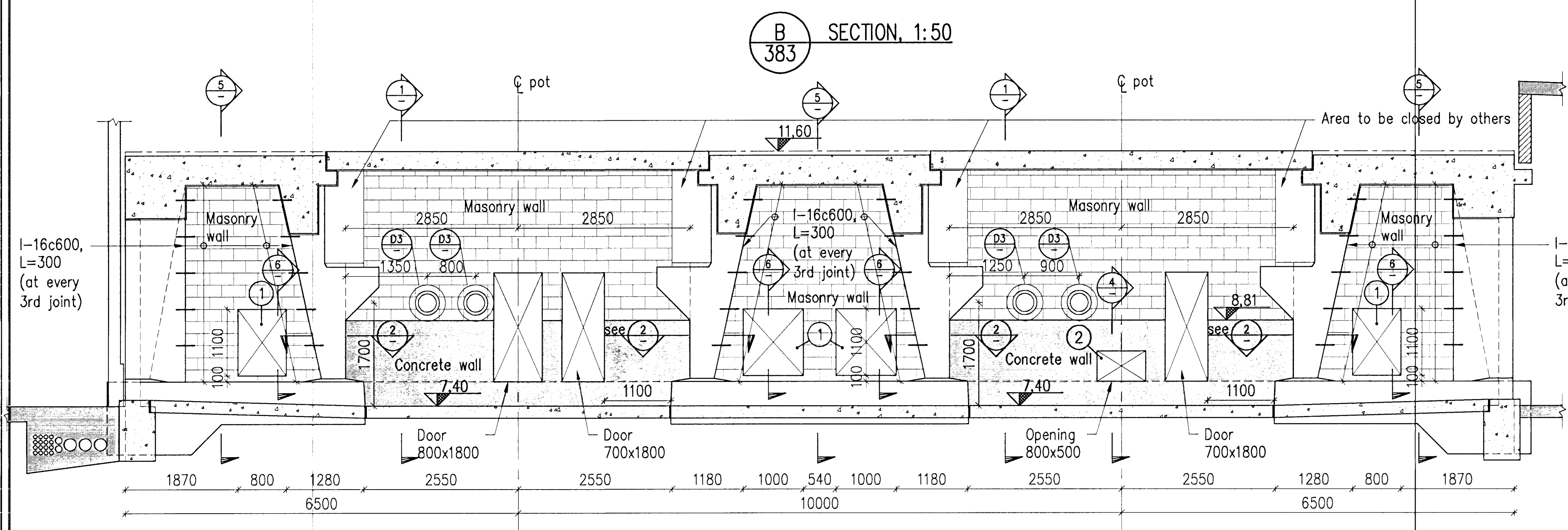
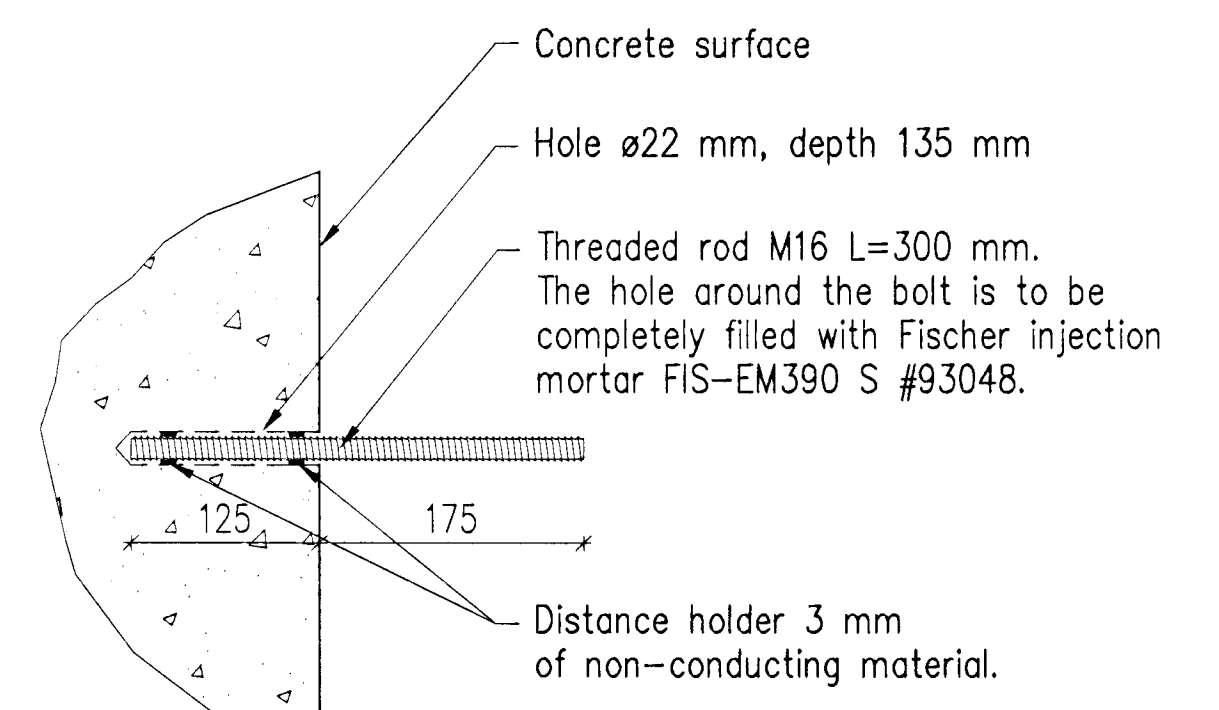


Byggingarfræðingur
Finnur Steinar Jónsson
1 OCT 2012
Samþykkt þann

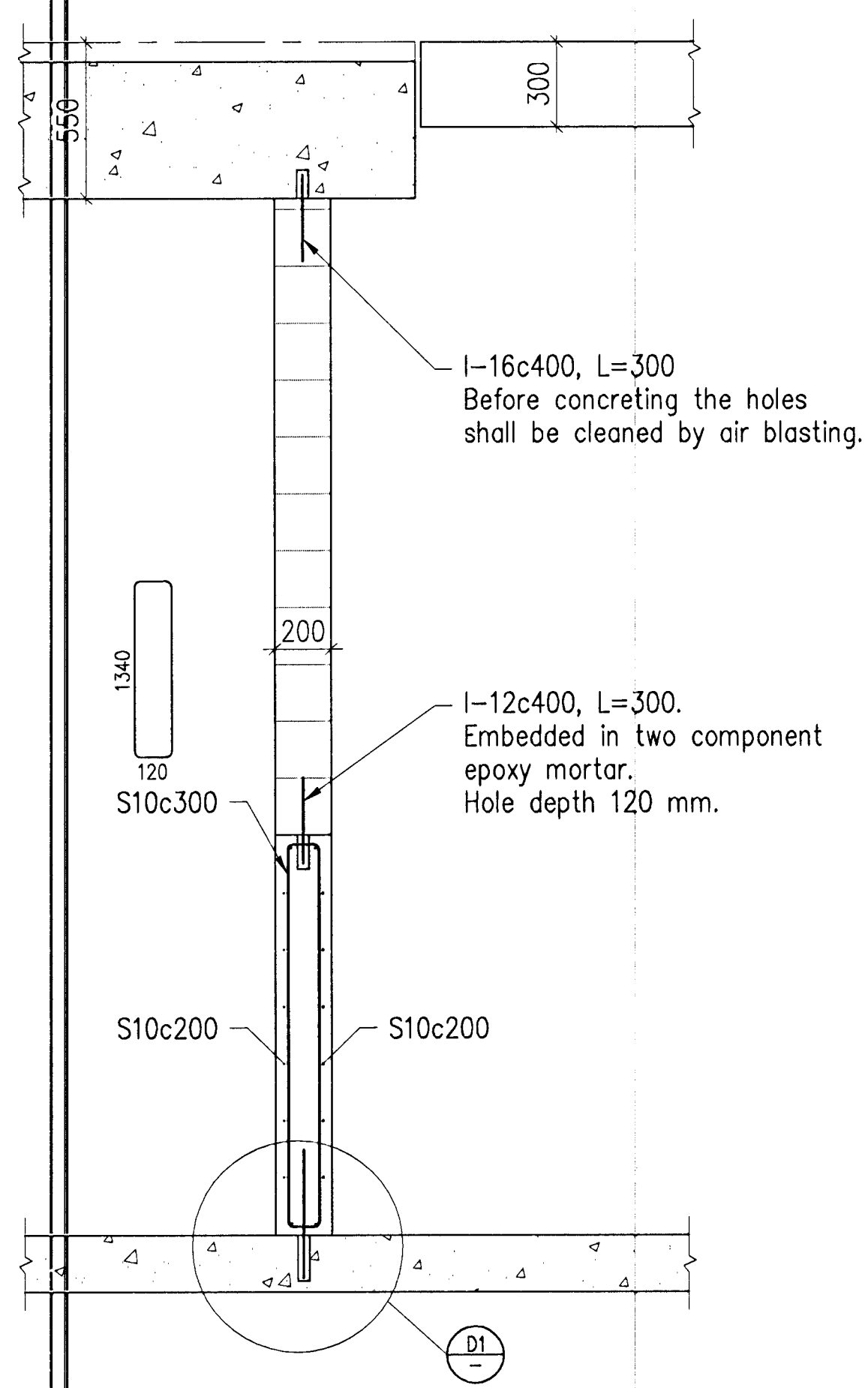


ISOLATED CONNECTING ROD M16, 1:50
marked as I-16 on drawings
W. Indriðason
Kr. 181144-3949 NI

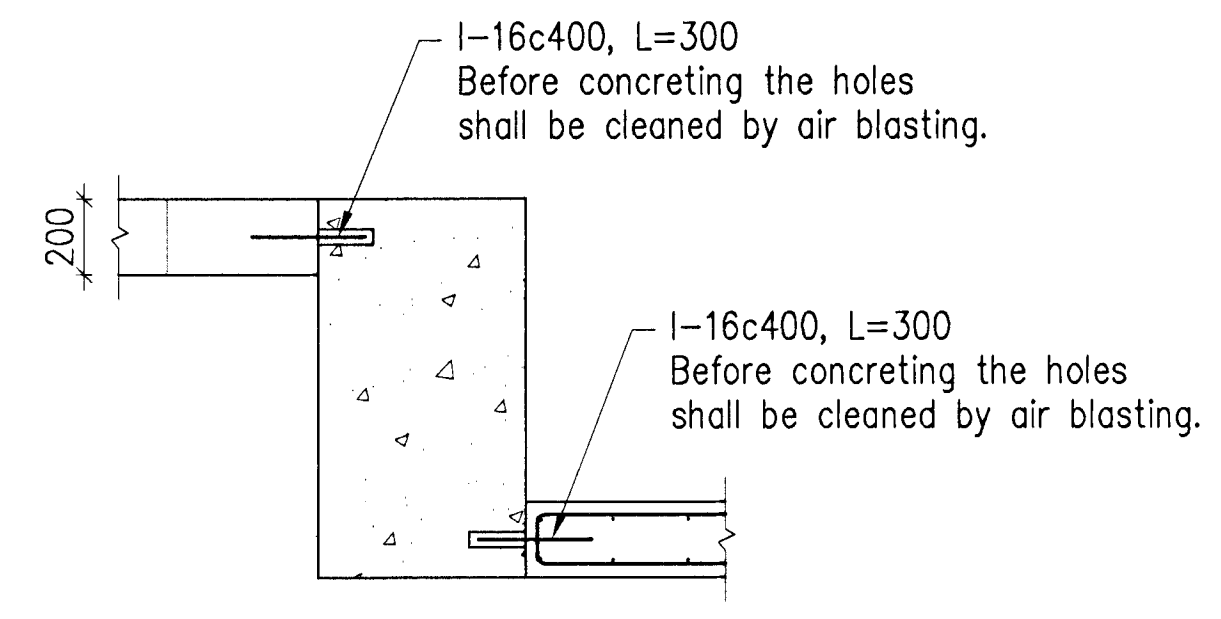


The location of rods M16 in height shall fit with the size of hollow core blocks so the rods hit in the joints between the blocks. Around that end is to be completely filled with mortar.

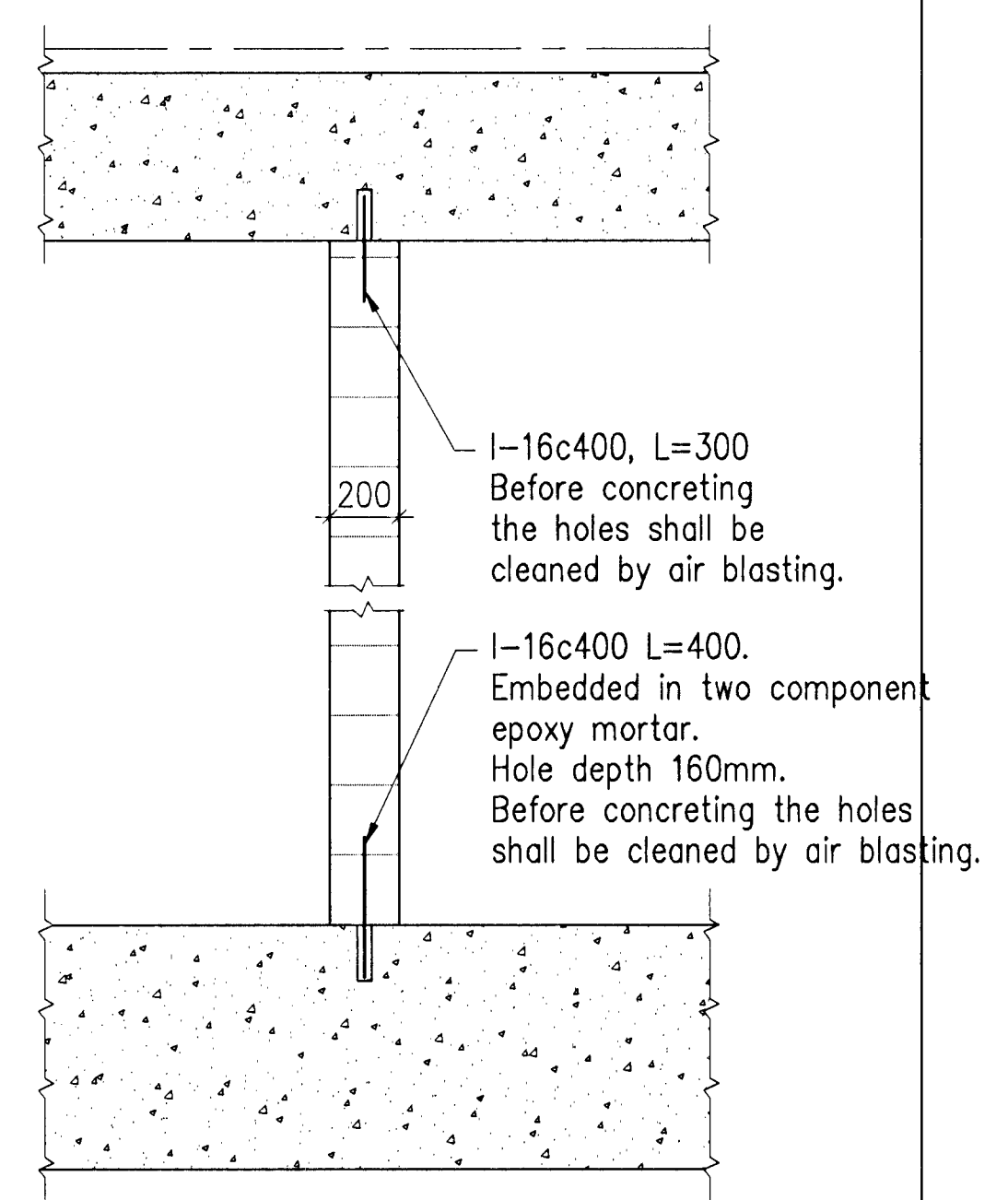
1 SECTION, 1:20



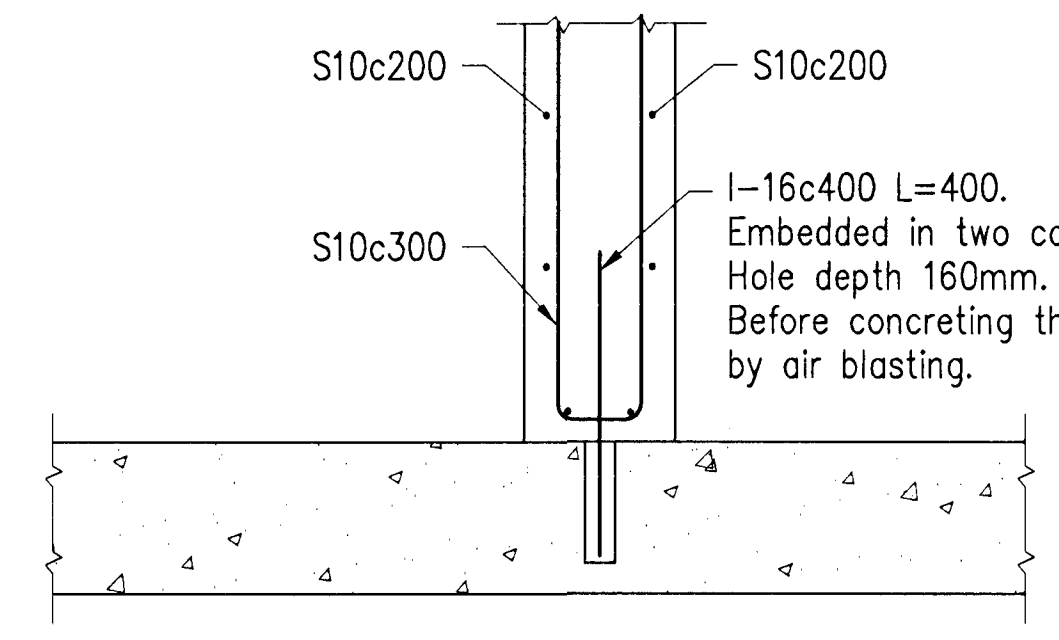
2 SECTION, 1:20



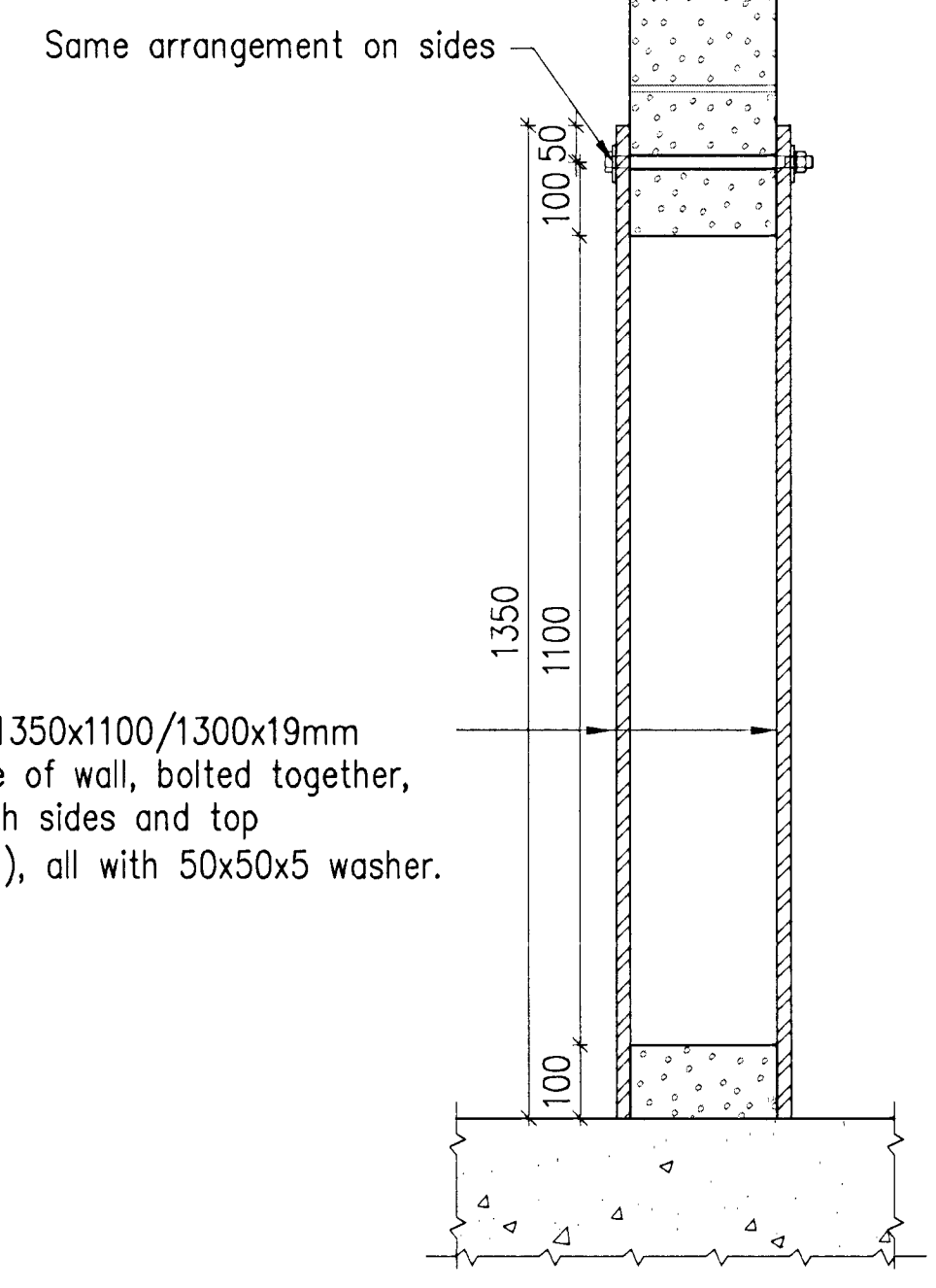
5 SECTION, 1:20



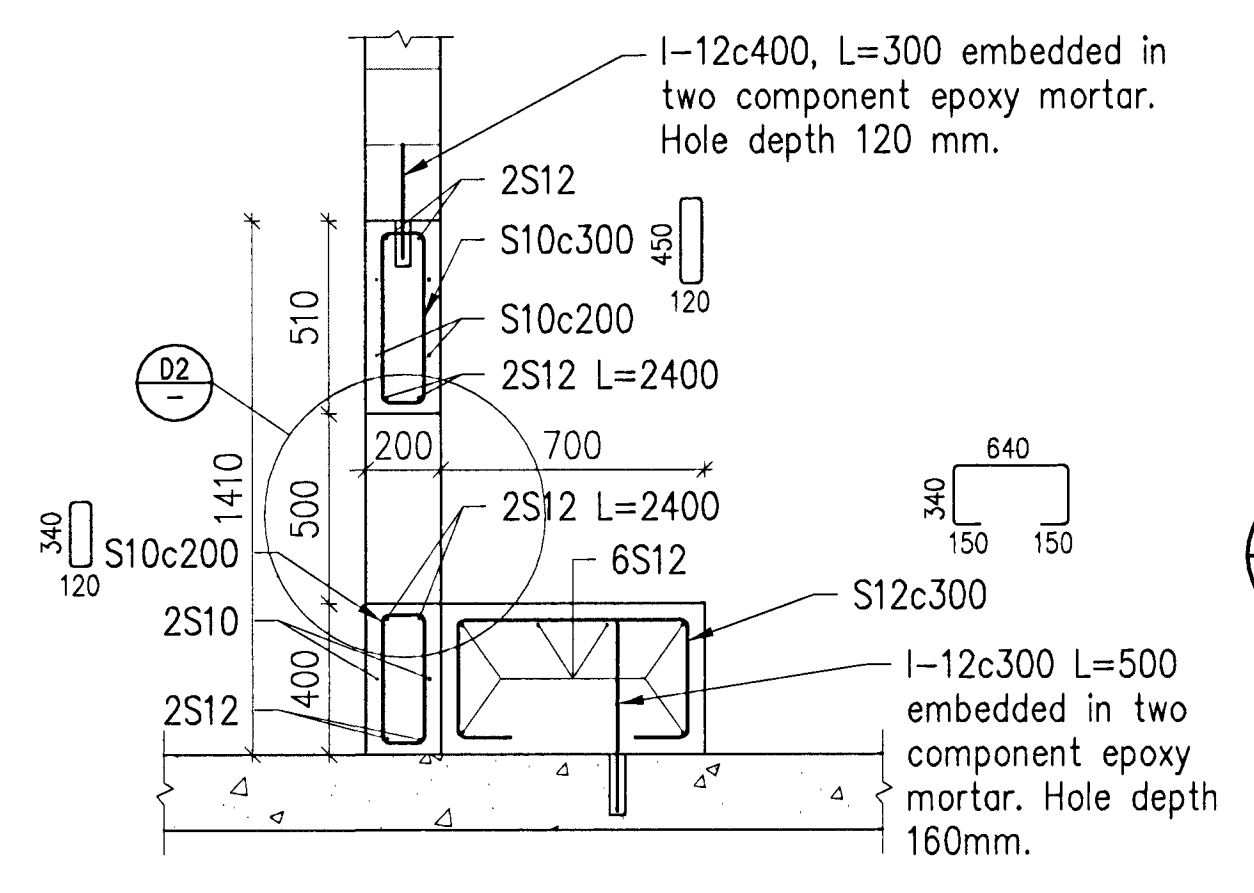
D1 DETAIL, 1:10



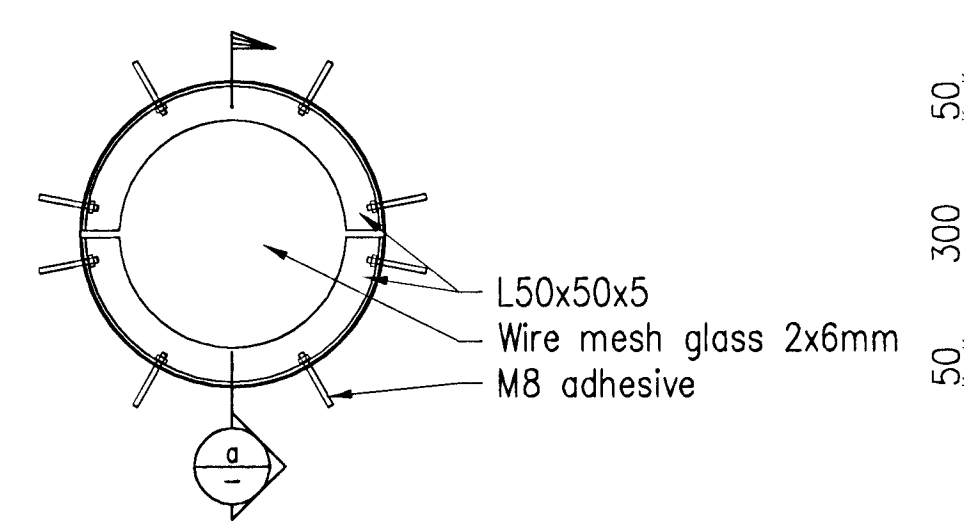
6 SECTION, 1:10



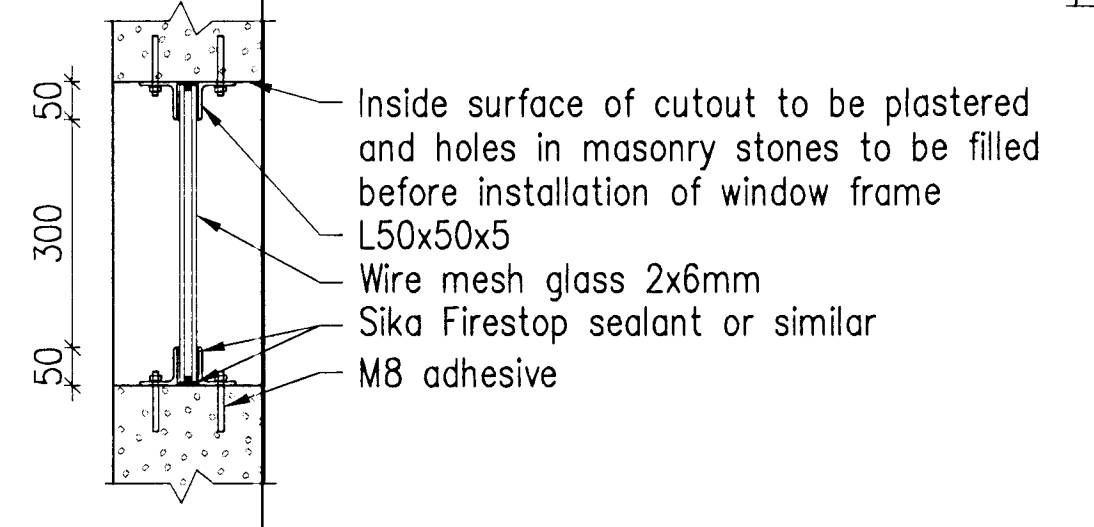
4 SECTION, 1:20



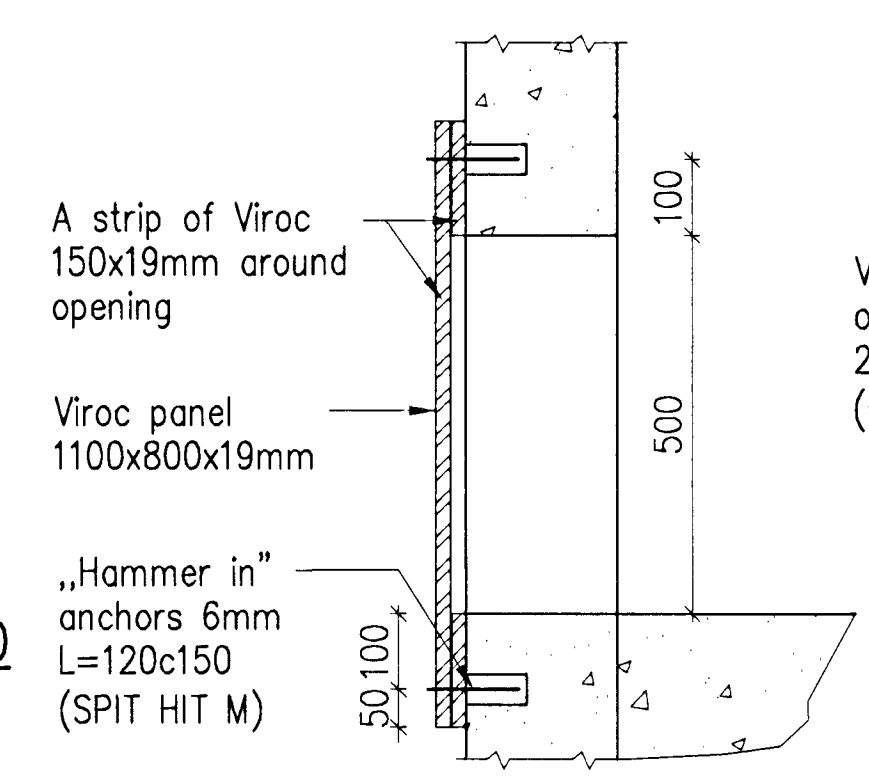
D3 DETAIL, 1:10



a SECTION, 1:10



D2 DETAIL, 1:10
CLOSING OF OPENING



Skýringar Legend:
Concrete cover 30 mm.
Concrete: C30/37.
Reinforcement: B500C
① Blue busbar openings.
② Recess for pot carrier.

Reinforcement:
• All connection points shall be separated by plastic tube, 5 mm.
• Plastic straps to be used for fastening of bars.
• All closed loops to be separated at ends by 30 mm.

7	Record drawing	2012.09.13	GMG	NI	EG	NR			
Fig. nr	Lýsing	Dagsetning	Man/Inn	Yfirt	Notk	Notk	Notk	Notk	Notk
Rev. no	Description	Date	Des/Dr	Old	Rel	Rel	Rel	Rel	Rel

This drawing is the property of Rio Tinto Alcan Iceland Ltd. and handed out for personal use only. It may neither be copied nor made available to others without permission of Rio Tinto Alcan Iceland Ltd. The receiver is liable for any misuse.		Dagsetning / Date	2011.07.14
HRV HATCH REAL PRODUCTION UPGRADE	Hannað / Designed	TEKNI / Drawn	LDB
	Verktaki / Supplier	HRV	
Tækniráðgjafi / Supplier dra.no		Yfirt / Chkd	NI
IDP-410-CA-109-384		Yfirt / Chkd	NI
Sambútt / Approved		Yfirt / Chkd	NI
Hústi af / Part of:			

IPU 410-RECTIFIER BUILDINGS-POTROOM 2		Flokkur nr.:	Blátt nr.:	Nasta blinn.:
COLLECTOR BUSBAR ROOMS		Kostn.nr.-Deno. / Bgn.nr.-Eq.no	4011	13982
SECTIONS AND DETAIL		AKS	UB12	
FORM WORK		ISAL Tekn.nr. ISAL / Dr.no. of ISAL / Breyt./Rev.	251323	A
Rio Tinto Alcan		ISAL Yfirfarð og skrð. dags / ISAL Checked, date		ISAL Samþykkt. dags / ISAL Approved, date