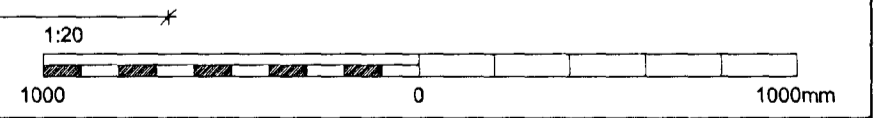
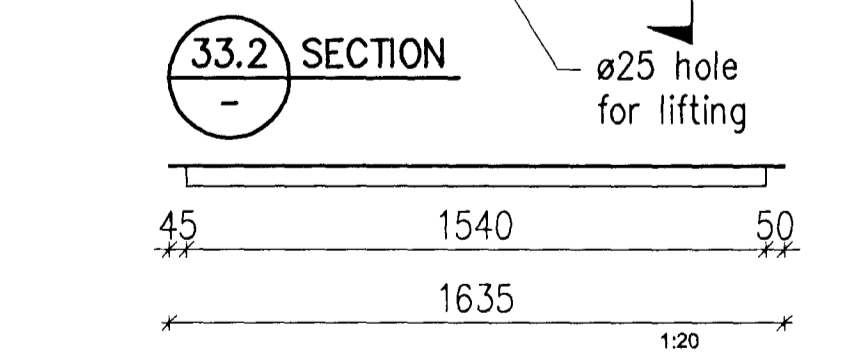
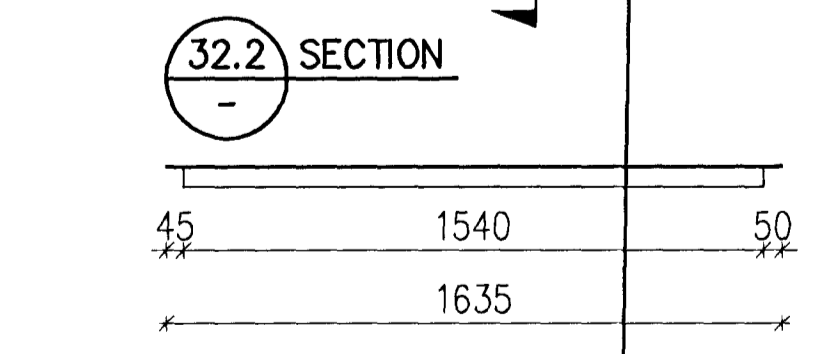
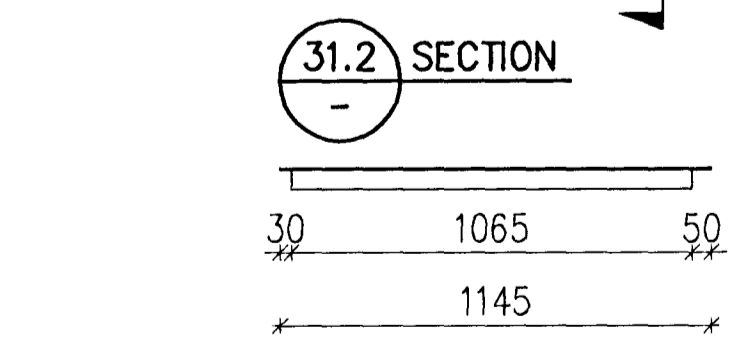
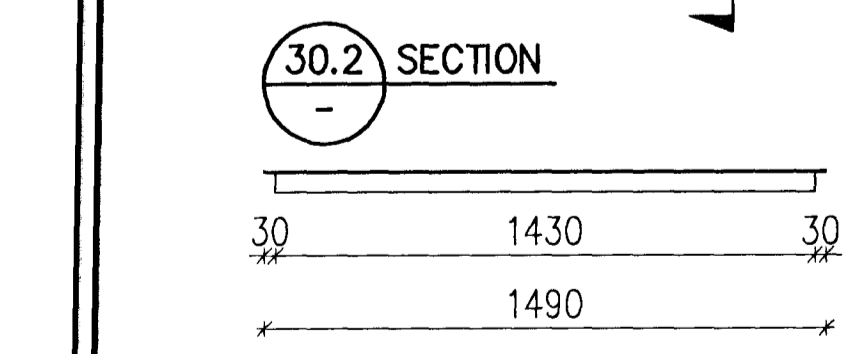
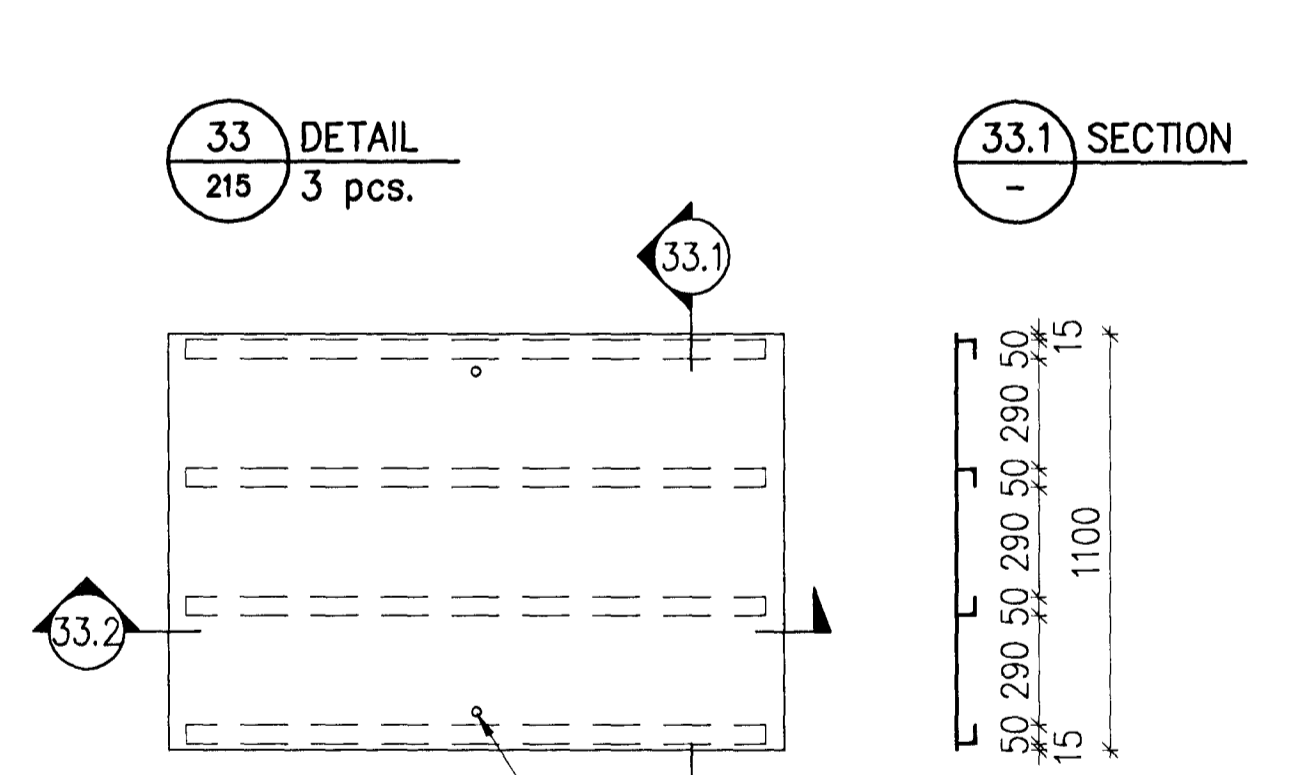
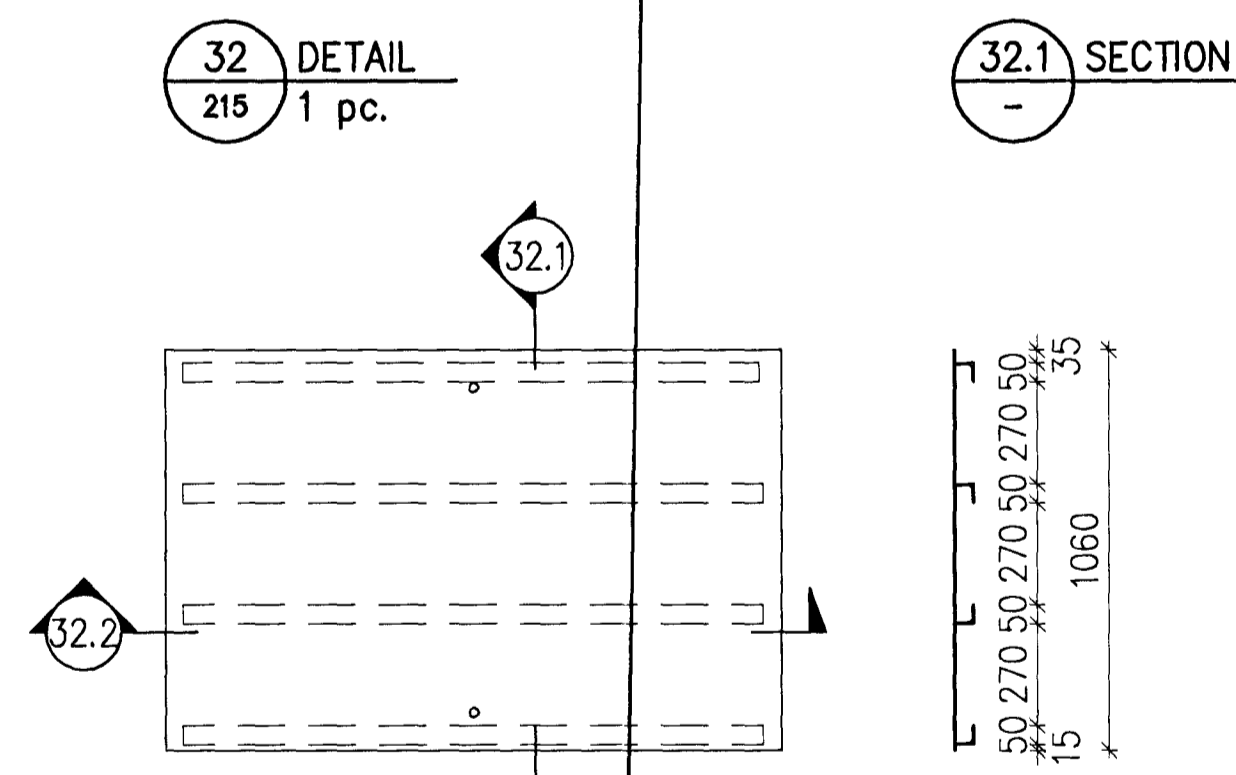
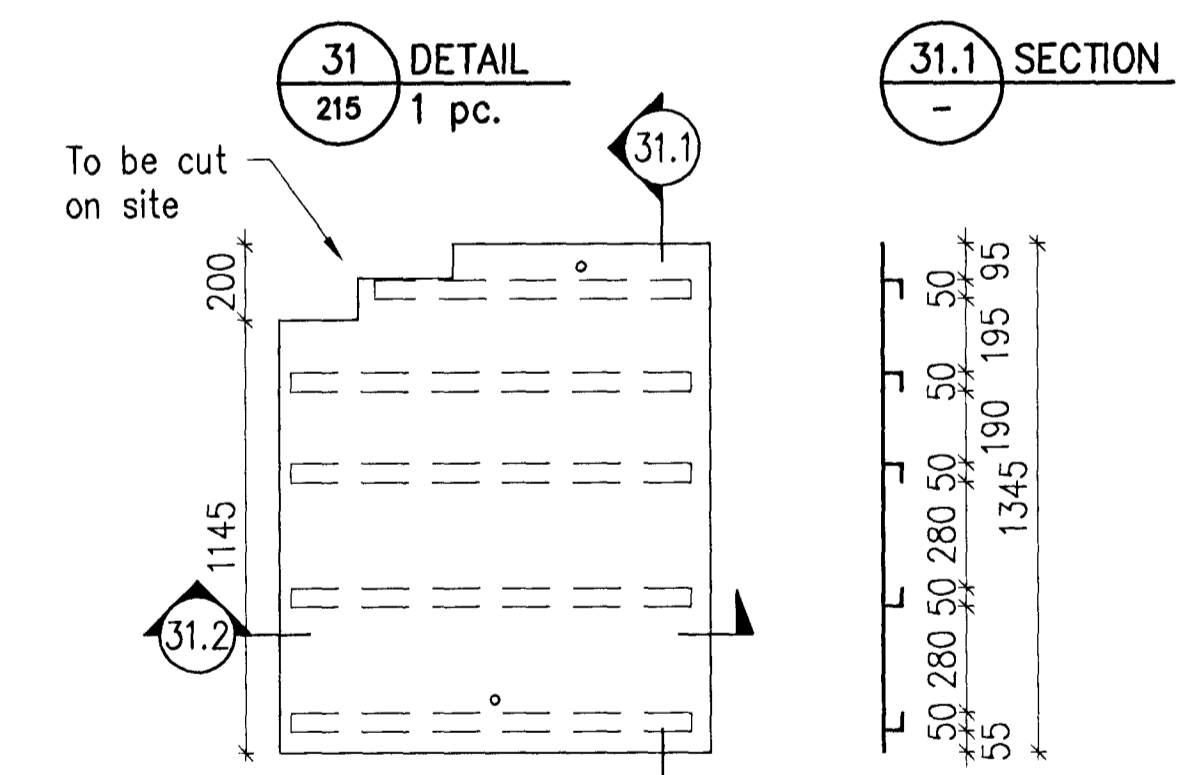
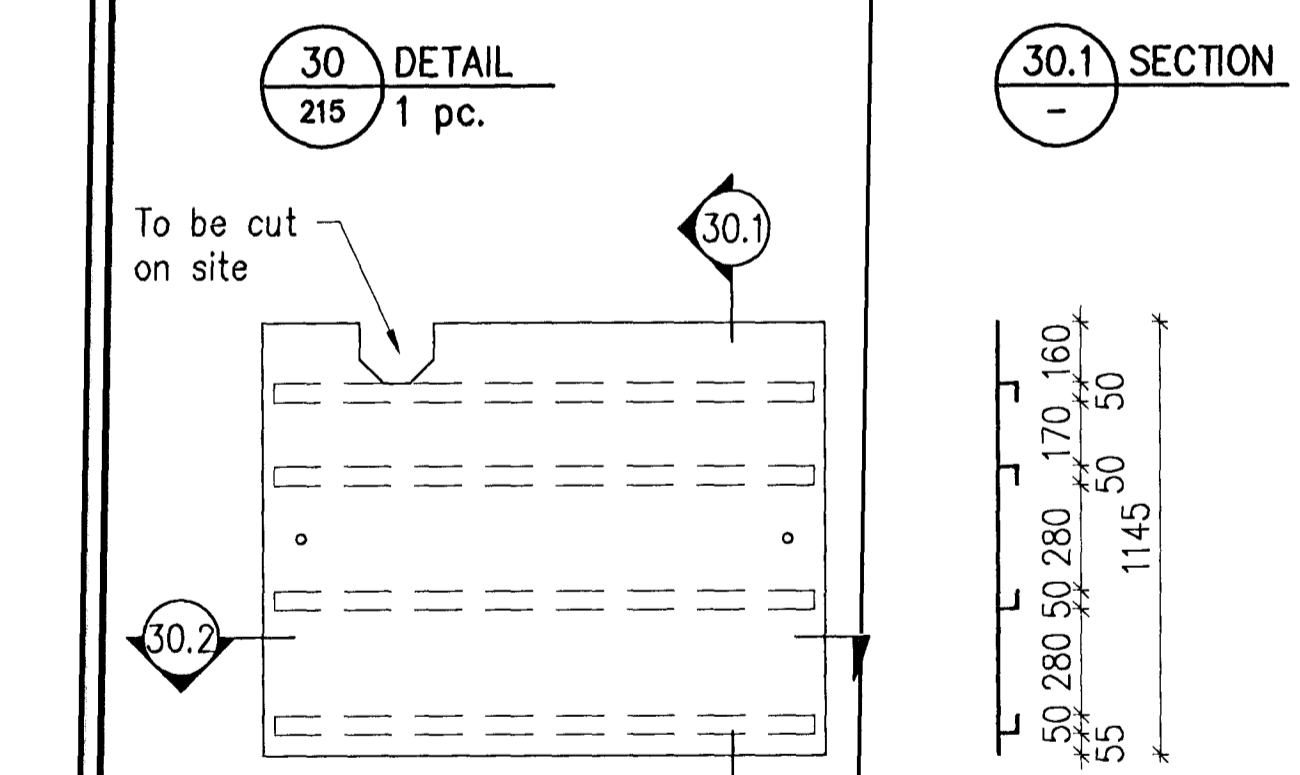
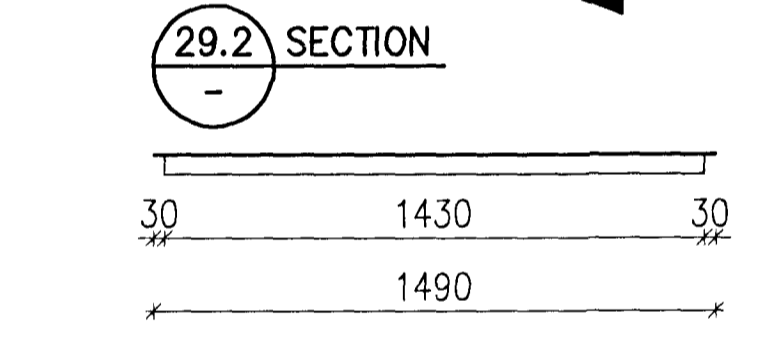
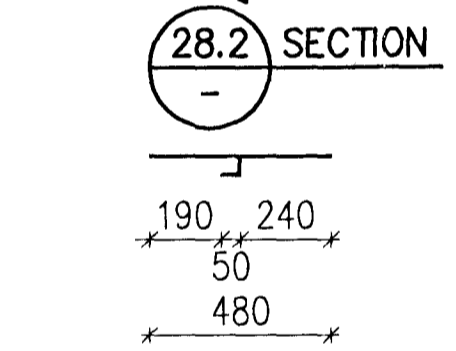
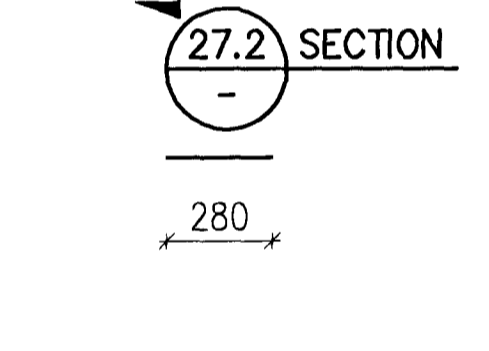
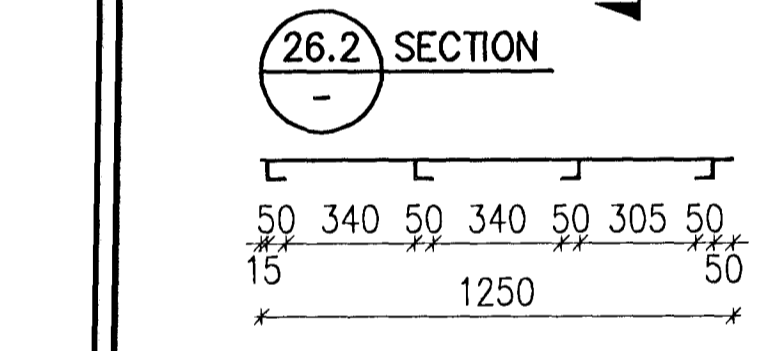
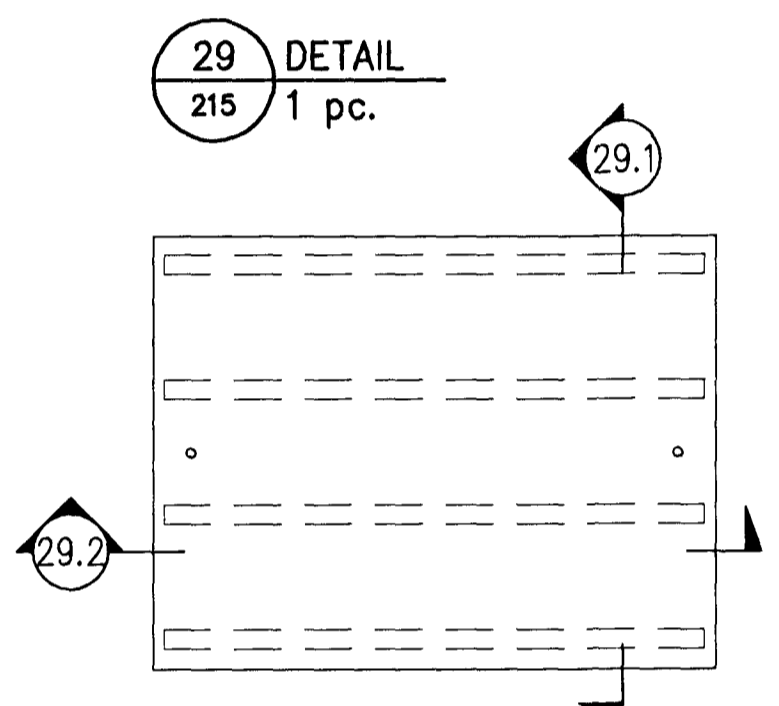
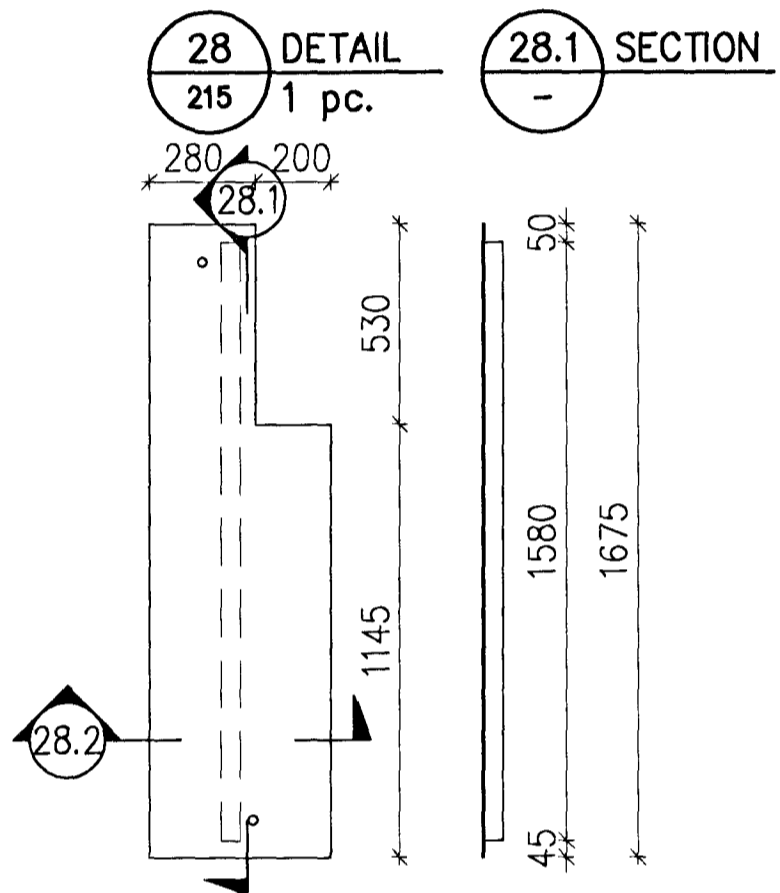
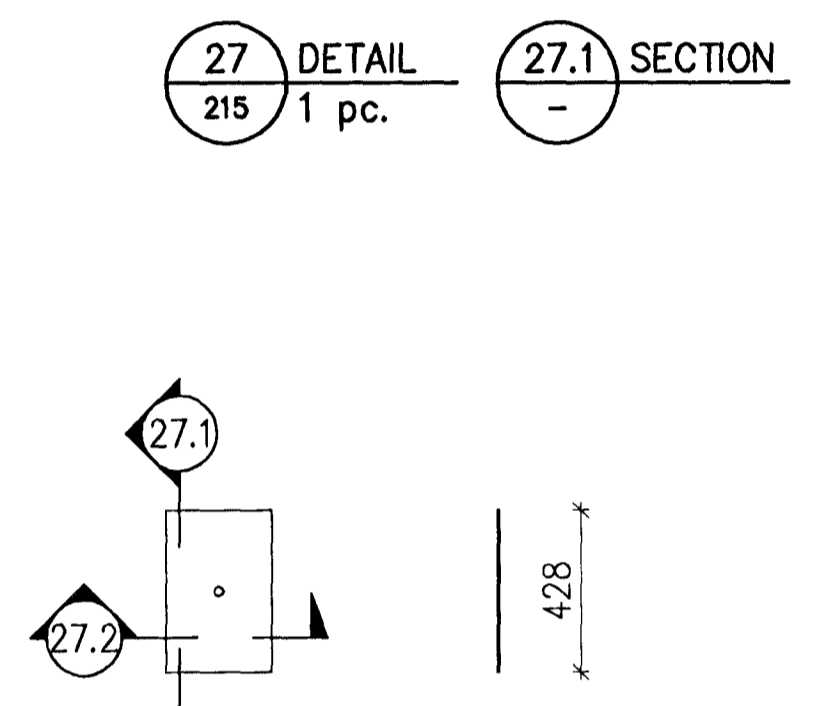
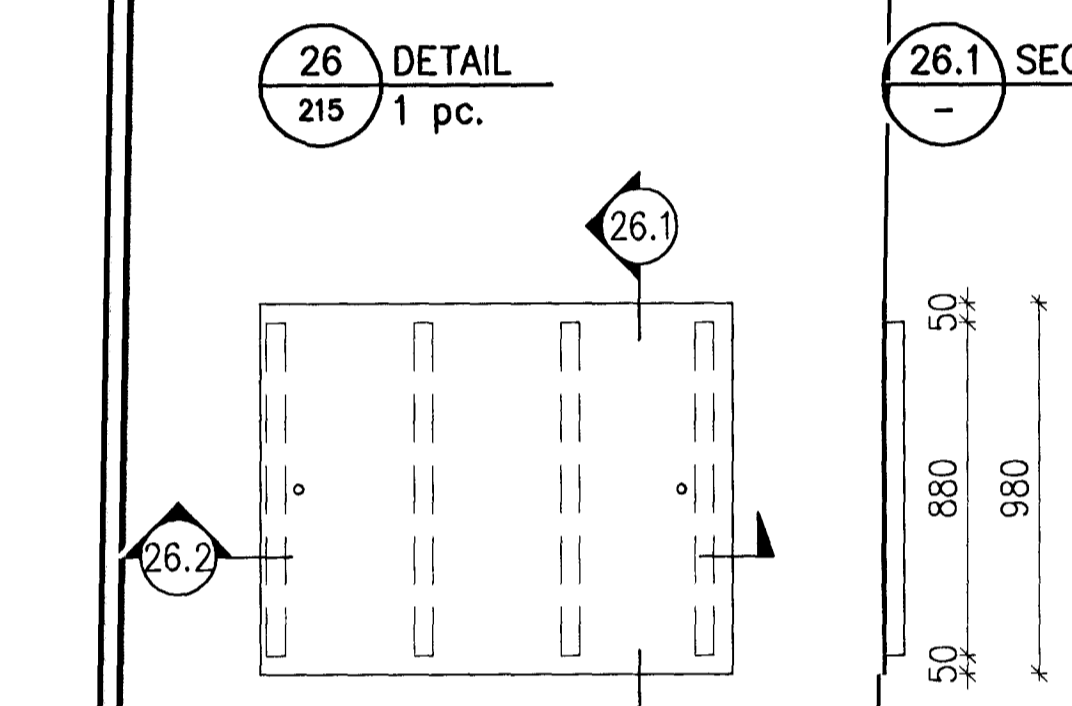
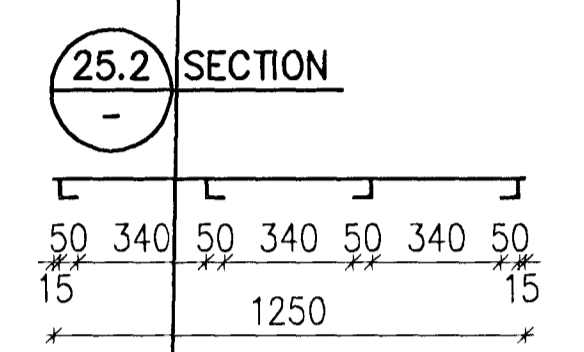
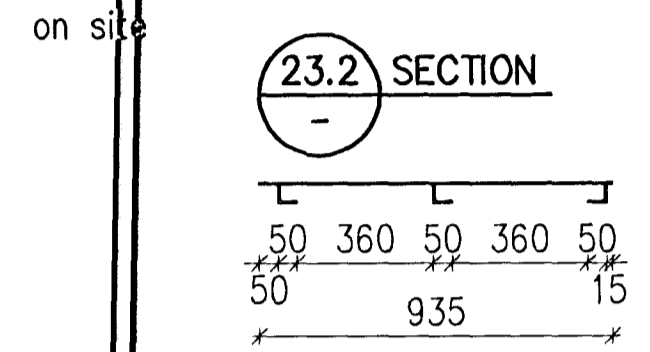
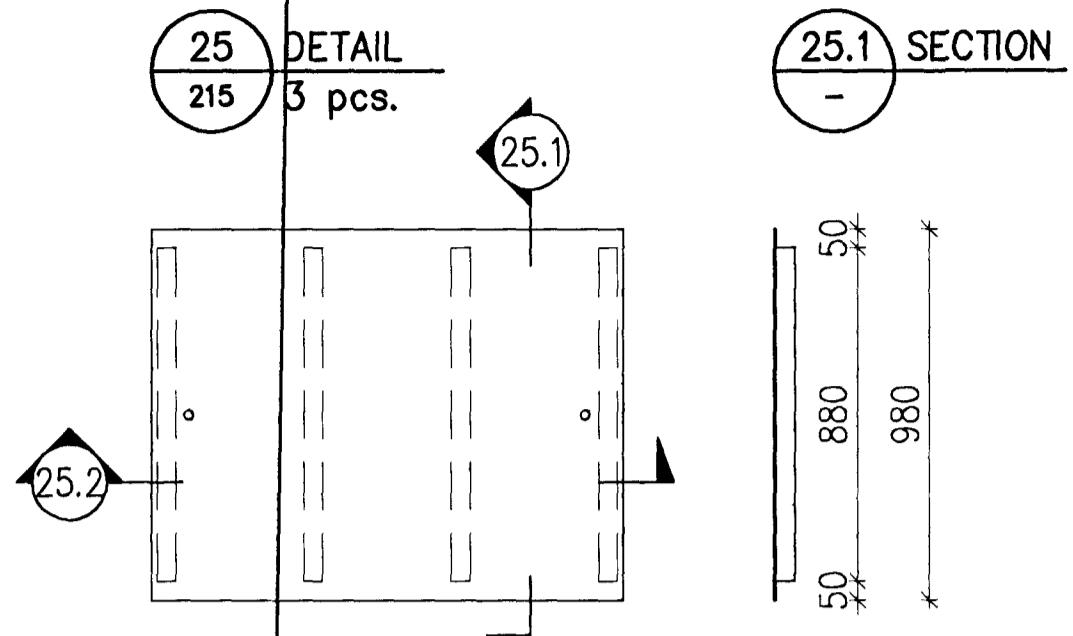
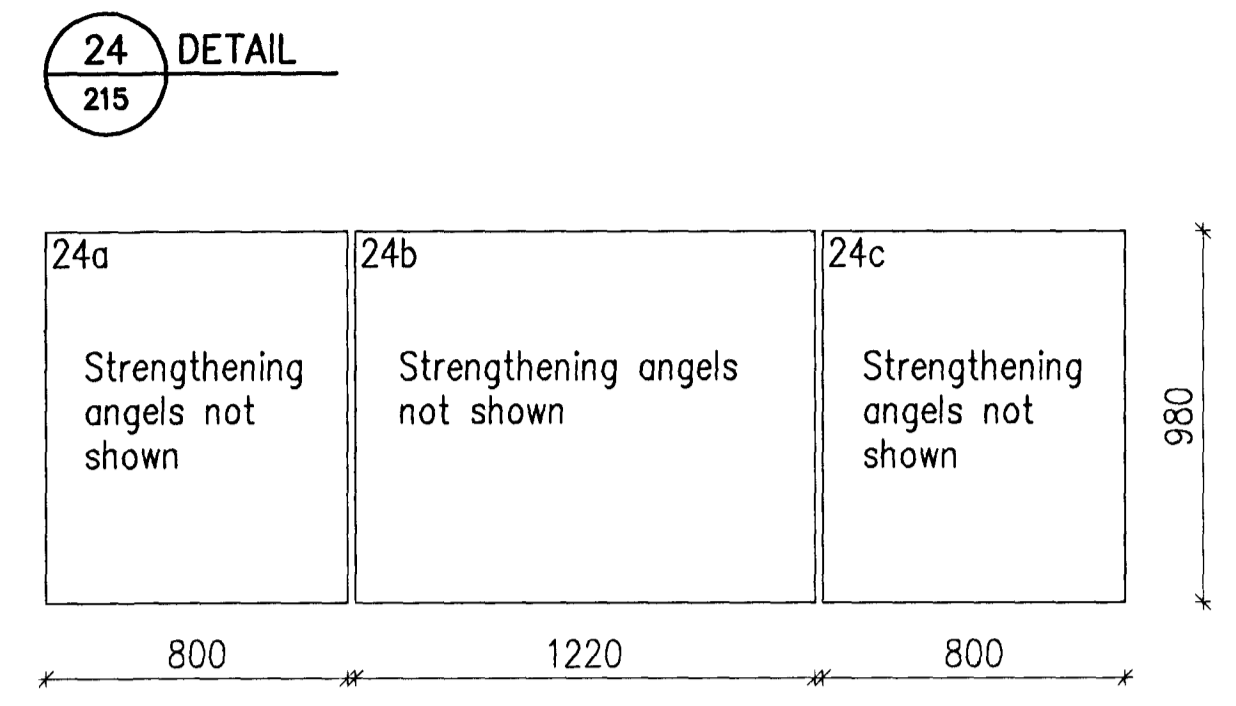
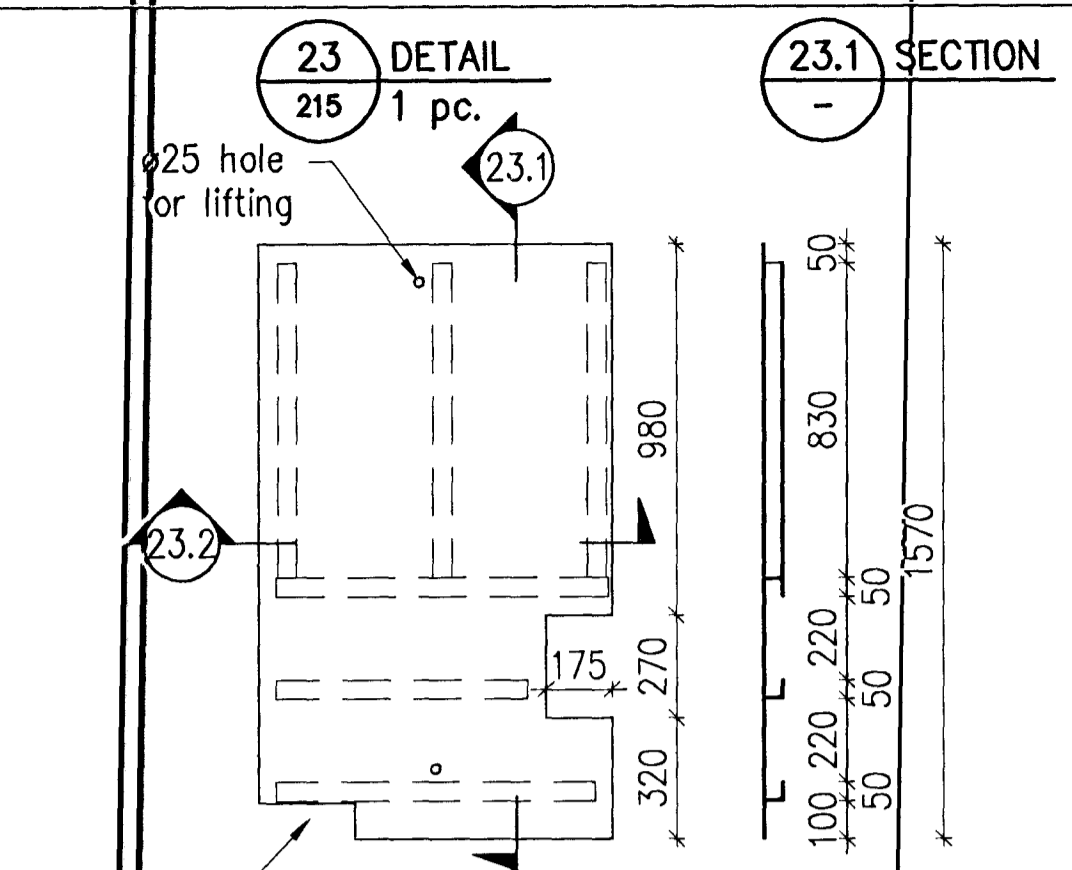


Nick Indriðason
 Kt. 181144-3949 NI



Skýringar: Plates are aluminium chequered plates 5/7.
 Legend: Angels are aluminium 50x50x5 welded to plates.
 All dimenions shall be checked on site.

2	Record drawing	2012.09.12	HS	NI	HS	NI	HS
01g nr	01g Description	Dagsetning	Har/Rn	Yfir	Notk	Notk	Notk
Rev no		Date	Des/Drw	Chk	ham	heim	hef
					Suppl	Ref	ISAL

This drawing is the property of Rio Tinto Alcan Iceland Ltd and handed out for personal use only. It may neither be copied nor made available to others without permission of Rio Tinto Alcan Iceland Ltd. The receiver is liable for any misuse.

Staðir: HRV/HATCH
 Format: A1 Scale: 1:20
 Dimensions without tolerances according to ISO 2768-1 medium.

Dagsetning / Date	2011.09.14	Flokkur nr.:	Blað nr.:	Nasta bl. nr.:
Hannað / Designed	HS	4011		
Tekin / Drawn	LDB	Kostn.nr.-Ócono. / Búgn.nr.-Eq.no	AKS	13981
Verktaki / Supplier	HRV	UB11		
Teikn.nr.verktaka / Supplier drw.no.	IDP-410-ZA-015-219	ISAL Tekn.nr. ISAL / Drw.no. of ISAL	251356	Breyt./Rev. A
Sambúikt / Approved	NI	ISAL Yfirfarð og skráð, dags. / ISAL Checked, date	ISAL Sambúikt, dags. / ISAL Approval, date	
Hlusti af: / Part of				