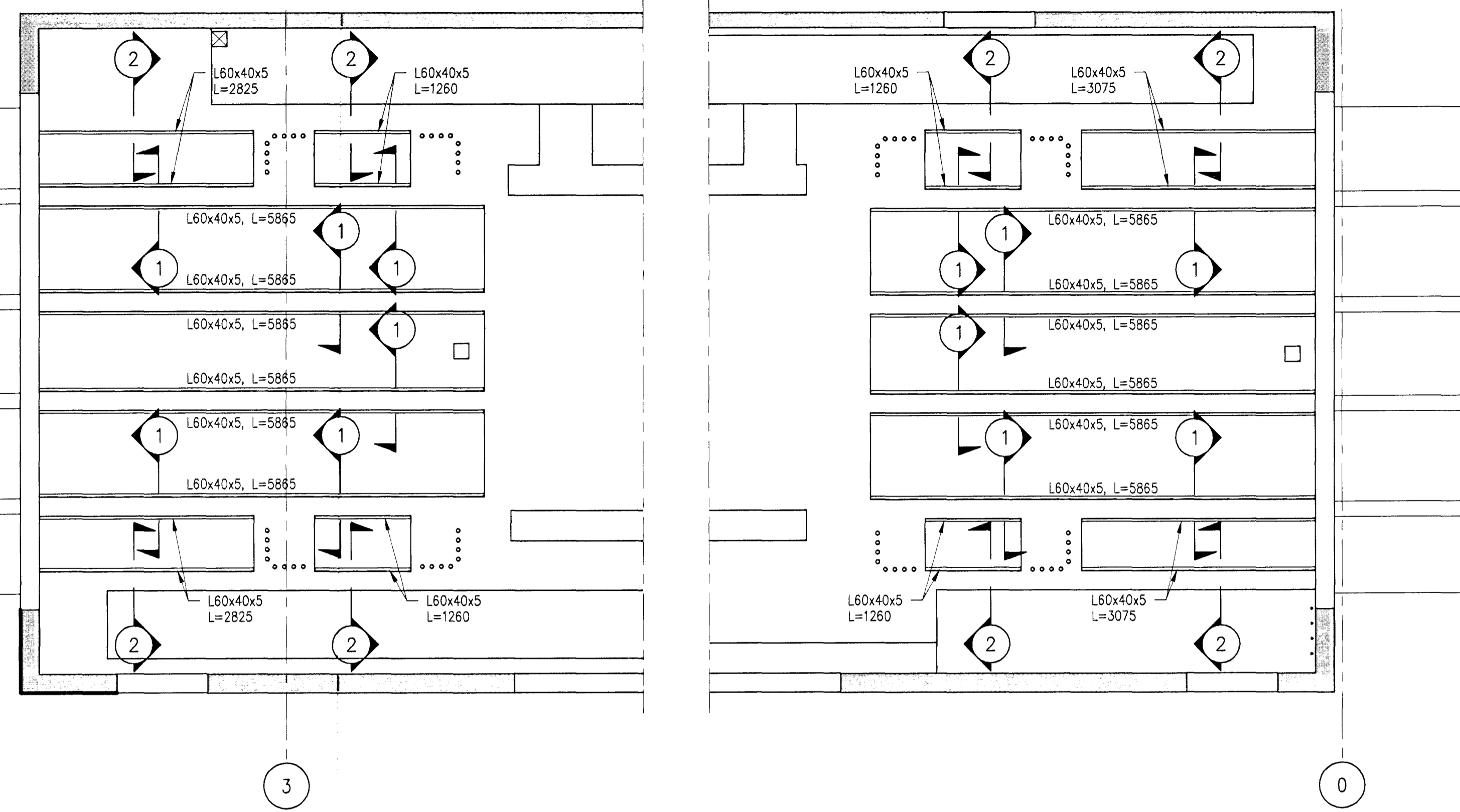
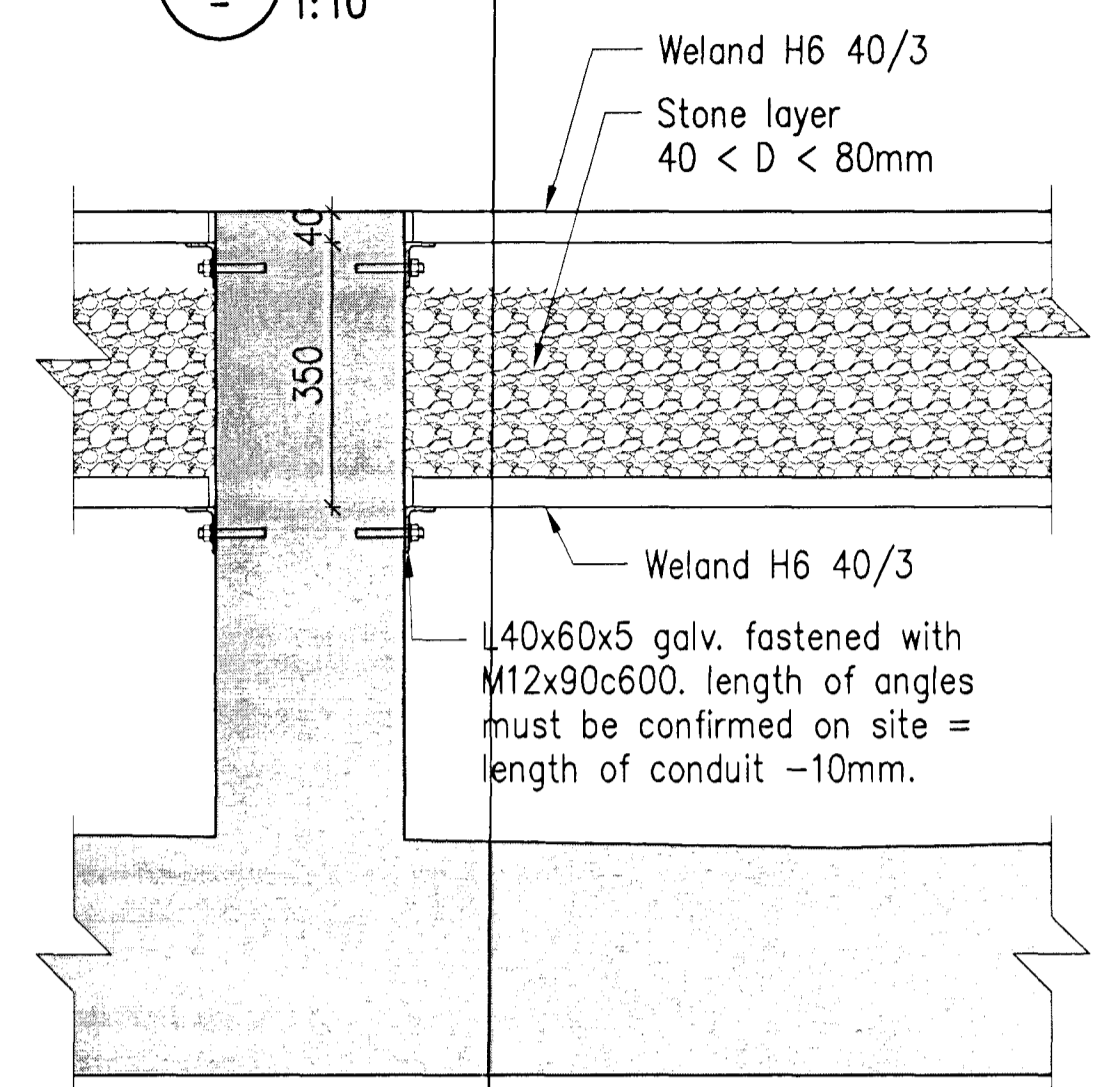


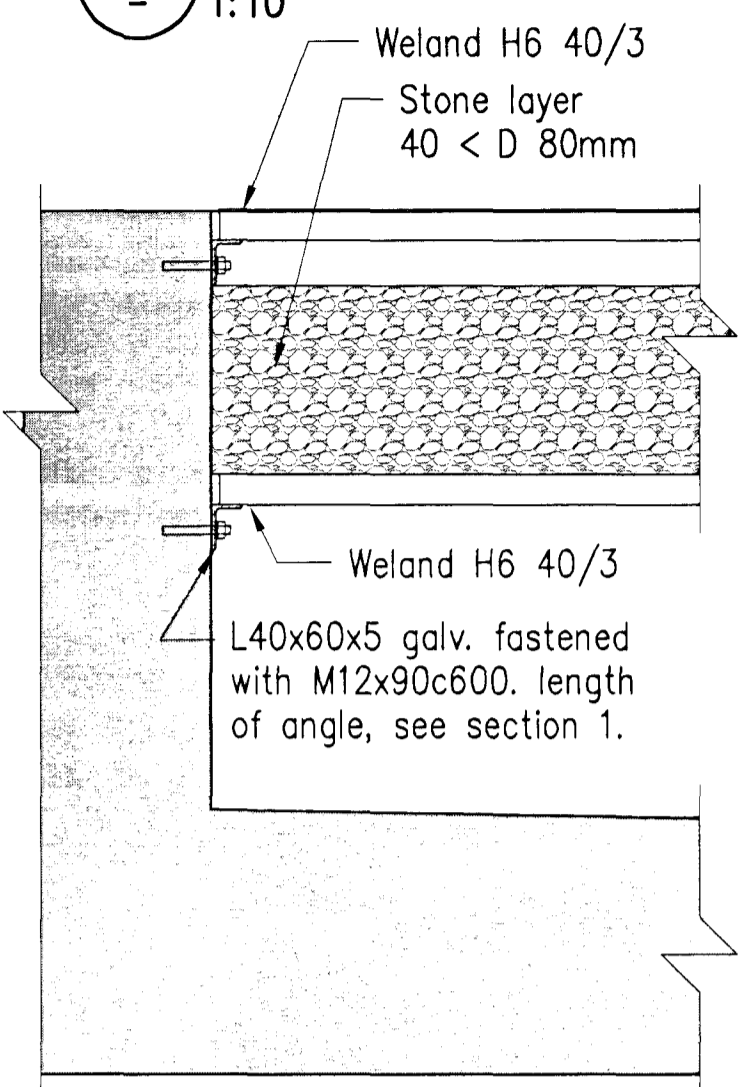
BOTTOM STEEL ANGLES, PLAN VIEW, 1:50



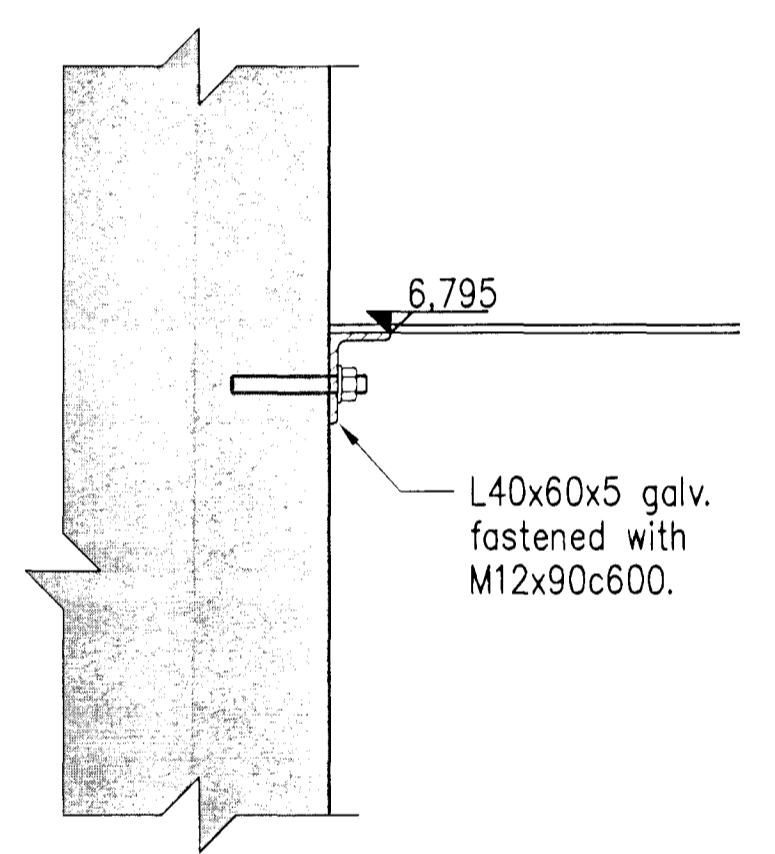
1 SECTION 1:10



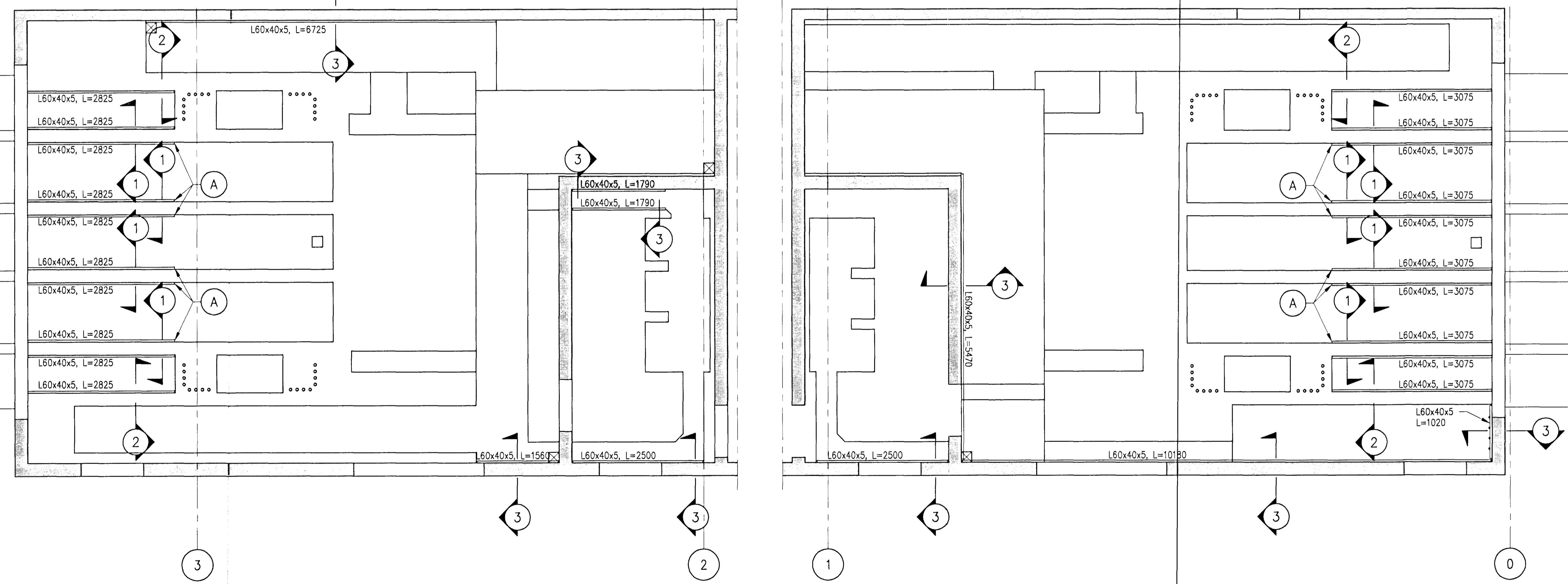
2 SECTION 1:10



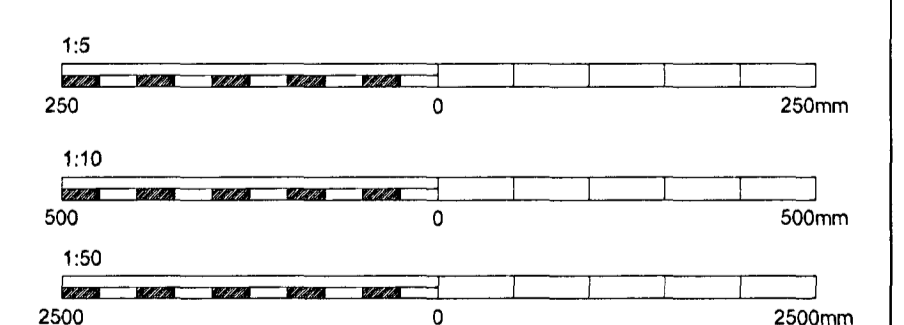
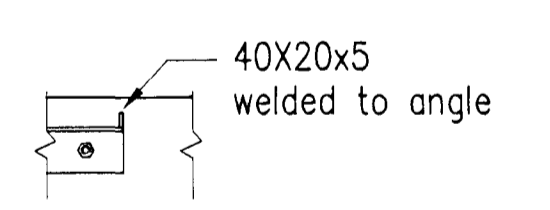
3 SECTION 1:5



TOP STEEL ANGLES, PLAN VIEW, 1:50



A DETAIL 1:10



Samþykkt þann
01 OCT 2012
Byggingaútlitirúnn / Hafnarfróð
Fh. Sigurður Steinar Jónsson

Níels Indriðsson
Kt. 181144-3949
NI

Skýringar Legend GENERAL NOTES Steel: S235 Bolts: 8.8 All grating, support angles, beams and anchorbolts to be hot dip galvanized, min 80µ. Grating: Weland H6 40/3 Mesh size 34x75 or similar. Dimensions shall be determined on site. C:\VDP\01\PPV400 - Reduction\410 Substation\Drawings\Civil\VDP-410-ZA-015-201.dwg	3 Record drawing 2012.09.12 HS NI	This drawing is the property of Rio Tinto Alcan Iceland Ltd and handed out for personal use only. It may neither be copied nor made available to others without permission of Rio Tinto Alcan Iceland Ltd. The receiver is liable for any misuse. Scale: 1:5, 10, 50 Dimensions without tolerances according to ISO 2768-1 medium.	HRVA HATCH ISAL PRODUCTION SERVICES	Dagsetning / Date: 2011-07-29 Hönnuð / Designed: IAJ Tækn / Drawn: IAJ Verktaki / Supplier: HRV Tækn nr. verktaka / Supplier draw no.: IDP-410-ZA-015-201 Samþykkt / Approved: NI Hluti af: / Part of:	IPU410-RECTIFIER BUILDINGS A5/S1, FLOOR GRATING BOLTED ANGLES, PLAN VIEWS AND SECTIONS STRUCTURAL STEEL Rio Tinto Alcan Alcan Isönd Ltd Símanúmer: IS-222 Hafnarforður Ísland	Flakur nr.: Blað nr.: Nasta bl. nr.: Kostn. nr. - Cono. / Búnr. - Eq. no.: 4011 13981 Tækn. nr. ISAL / Drw. no. of ISAL: 251349 Breyt. / Rev: A
	3 Record drawing 2012.09.12 HS NI	ISAL ISAL Checked, date ISAL Samþykkt, dags / ISAL Approval, date				