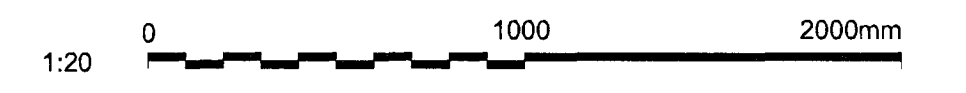
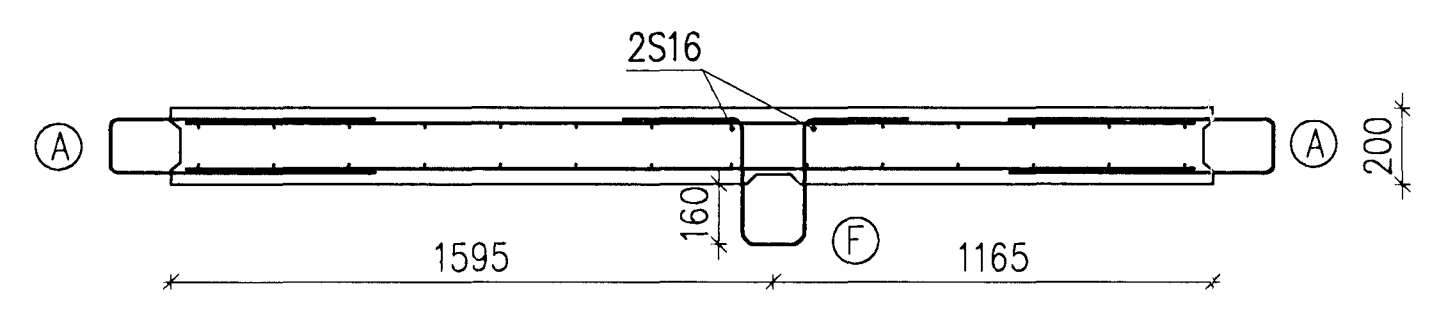
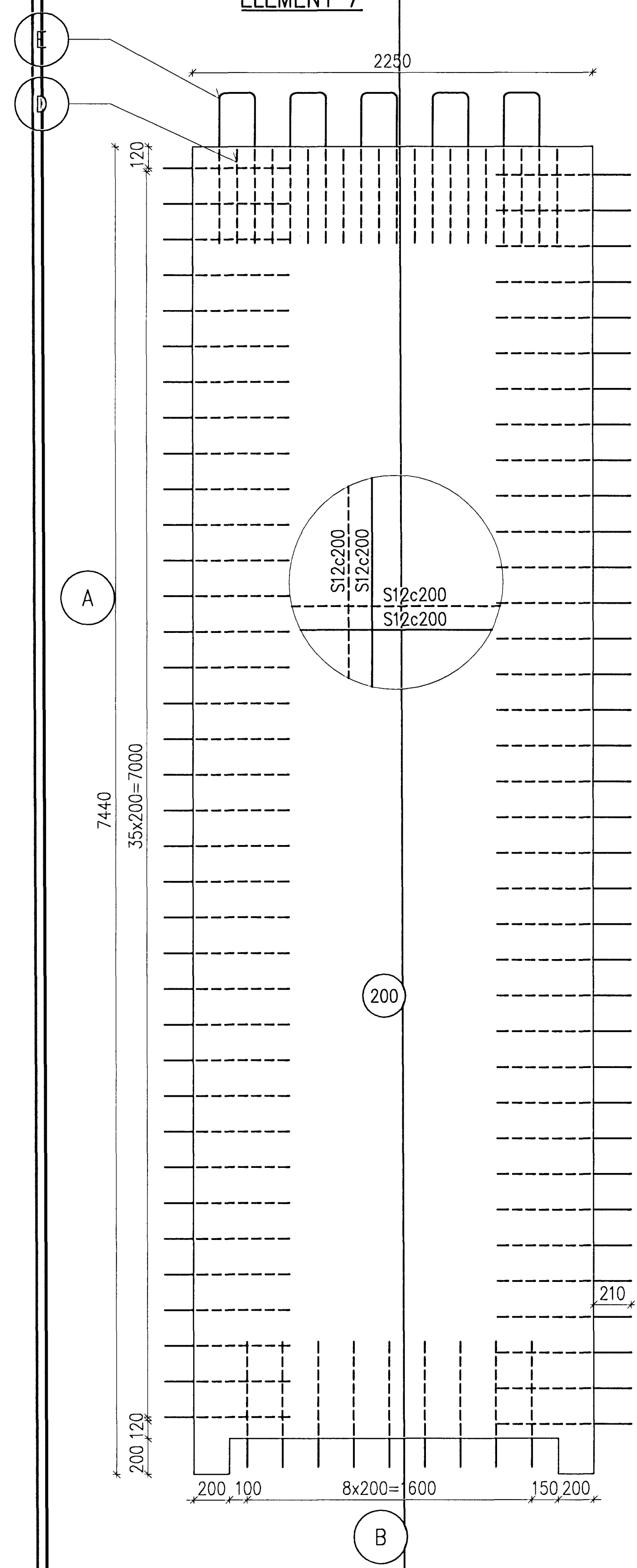


Samþykkt þann
 01 OCT 2012
 Byggingafræðingur / Háskólinn
 Fh. Sigurður Steinar Jónsson

Niels Indriðason
 Kt. 181144-3949
 NI

ELEMENT 7

1 SECTION
 273



Skýringar Legend: Stirrups details see drawing 272.

C:\DP\01 IDP\400 - Reduction\410 Substation\Drawings\Civil\DP-410-CA-015-275.dwg

2	Record drawing	2012.09.12	HS	NI	BS	RS			
Ölg nr	Rev no	Lýsing Description	Dagsetning Date	Hor/Ten Des/Drw	Yfirt Dkd	Naik heim Suppl Rel	Naik heim ISAL Rel		

This drawing is the property of Rio Tinto Alcan Iceland Ltd. and handed out for personal use only. It may neither be copied nor made available to others without permission of Rio Tinto Alcan Iceland Ltd. The receiver is liable for any misuse.	
Scale:	1:20
Form:	A1
Dimensions without tolerances according to ISO 2768-1 medium.	

Dagaetning / Date 2011.03.03		IPU 410 - RECTIFIER BUILDINGS	
Hönnuð / Designed HS	Tekn / Drawn ÁFV	A5/S1 PRECAST ELEMENT	
Verktaki / Supplier HRV		Teg.teikningar / Des. type: REINFORCEMENT	
Tekn.nr.verktaka / Supplier drw.no. IDP-410-CA-015-275		ISAL Alcan Iceland Ltd Staumavik IS-222 Hafnargerður Island	
Samþykkt / Approved NI		Tekn.nr. ISAL / Drw.no. of ISAL 251275	
Hlut af: / Part of:		Breyt./Rev. A	

