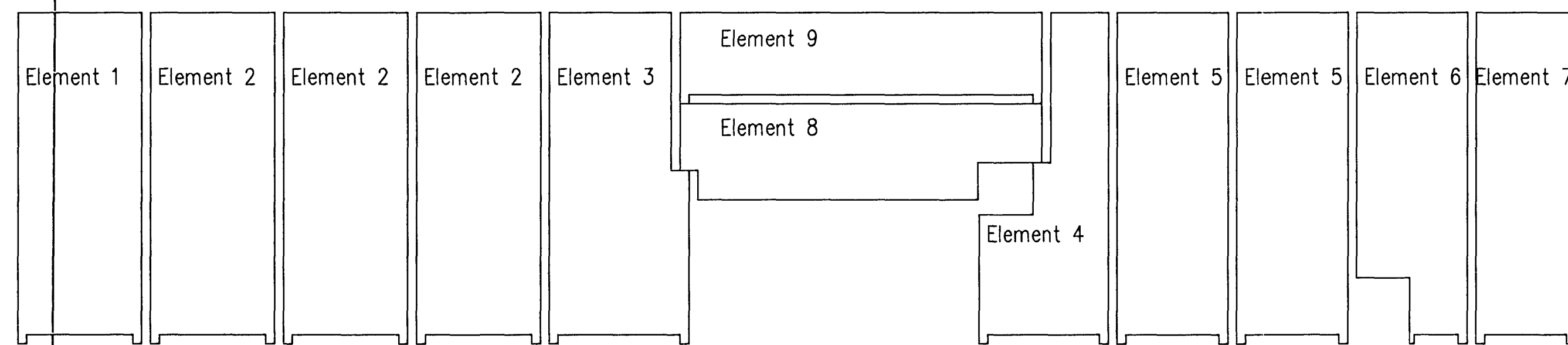


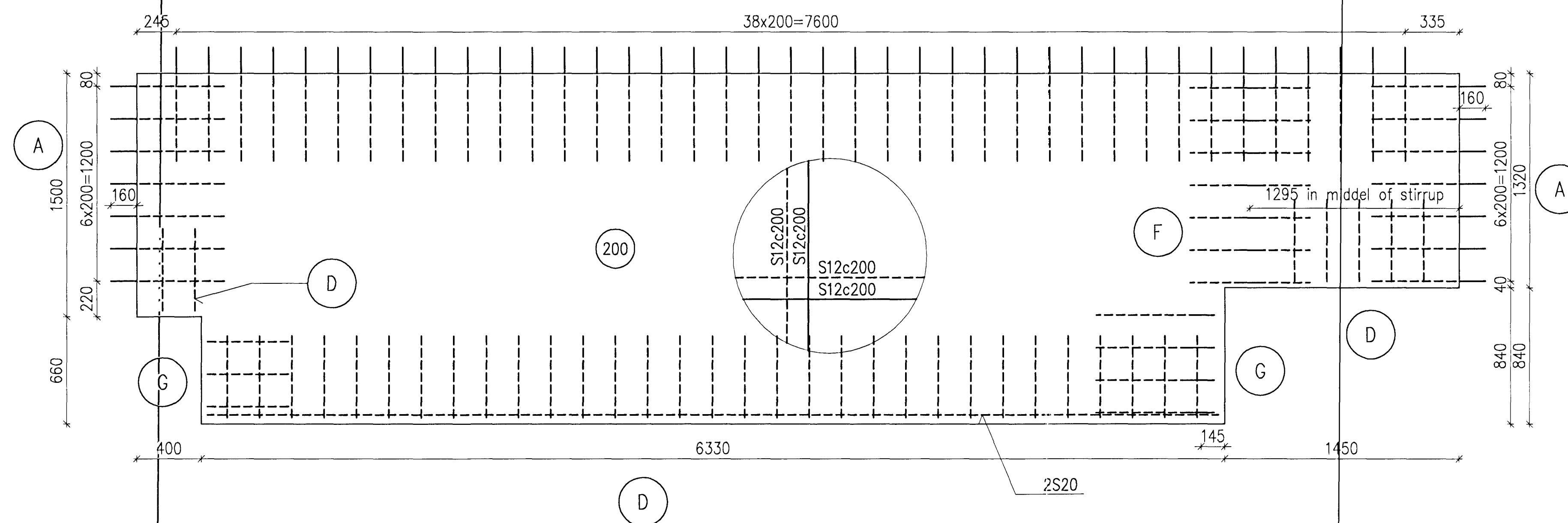
Sambýkkt þann
 01 OCT 2012
 Byggingafrádráttur / Höfnun / SI
 F.h. Sigurður Steinar Jónsson

Niels Indriðason
 Kt. 181144-3949 NI

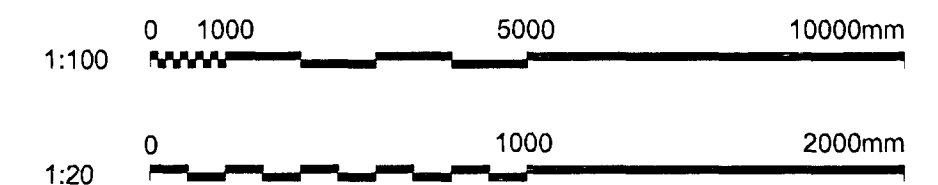
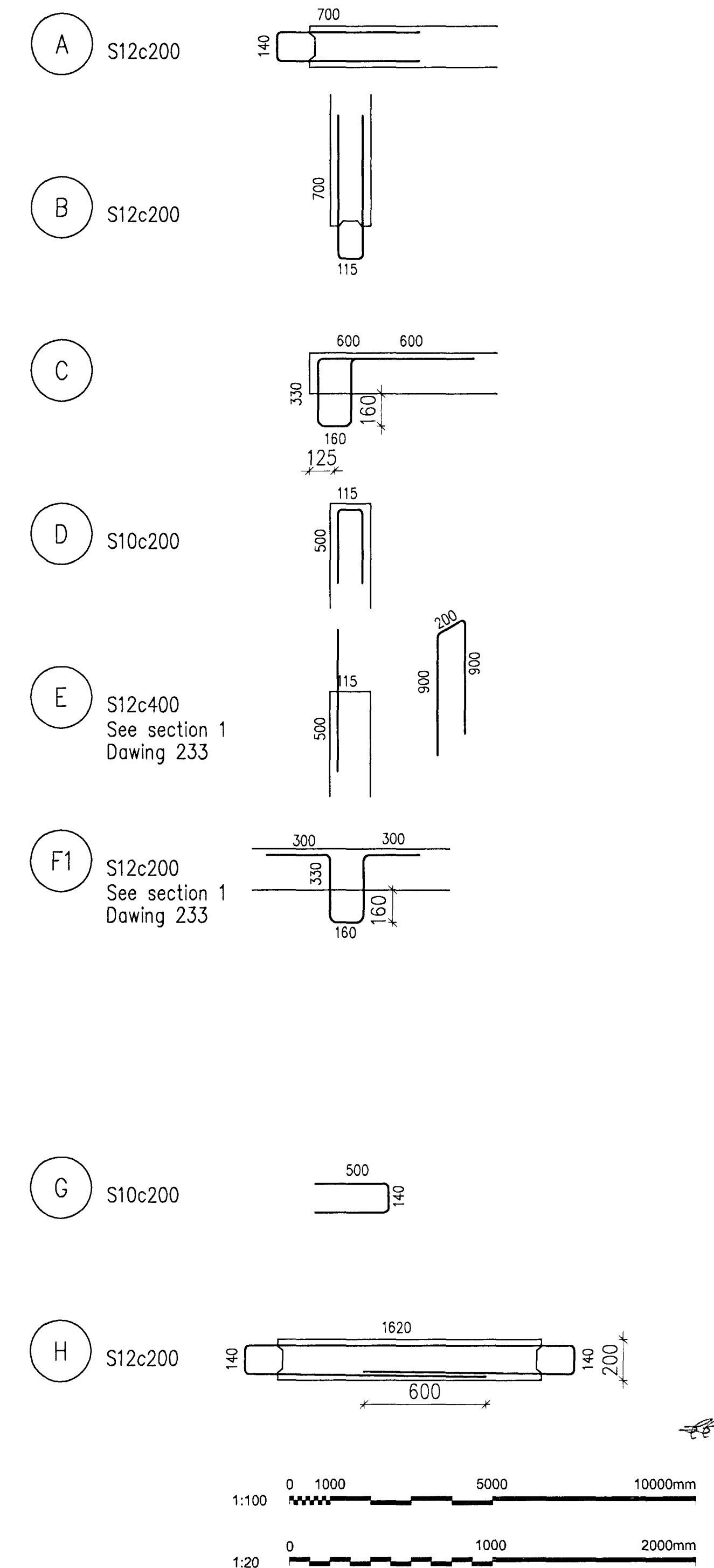
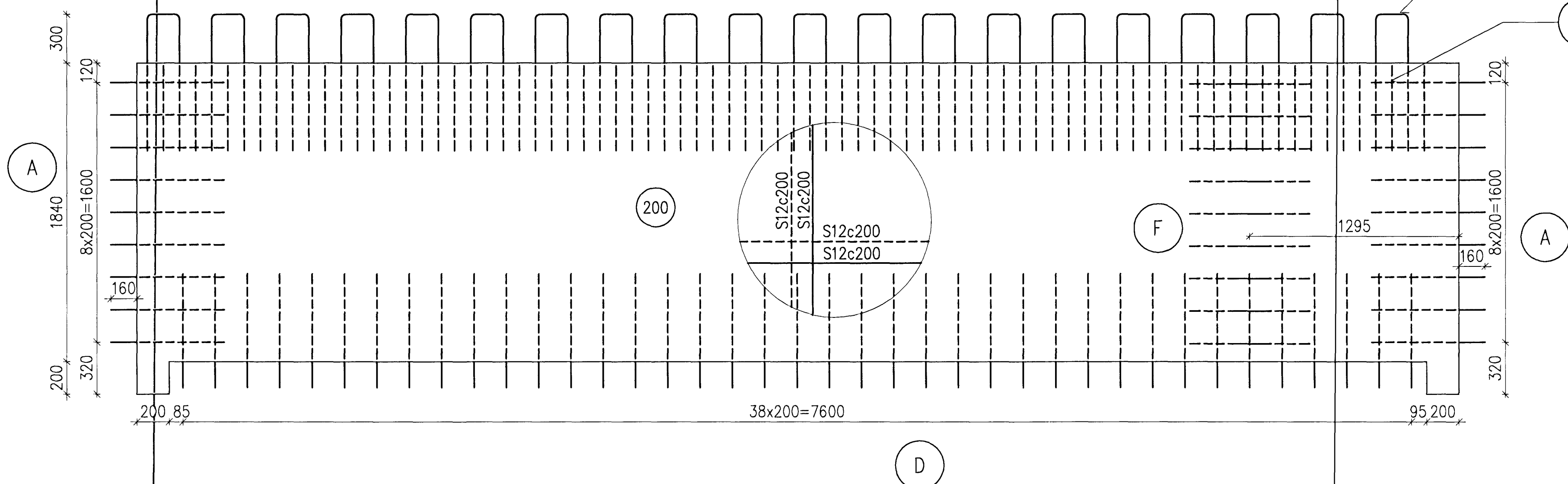
WALL ELEMENTS OVERVIEW



ELEMENT 8



ELEMENT 9



Skýringar Legenda						This drawing is the property of Rio Tinto Alcan Iceland Ltd. and handed out for personal use only. It may neither be copied nor made available to others without permission of Rio Tinto Alcan Iceland Ltd. The receiver is liable for any misuse. Stærð Formst. A1 Mkv. Scale: 1:100/20 Dimensions without tolerances according to ISO 2768-1 medium.		Dagaþingning / Date 2011.03.03		IPU 410 - RECTIFIER BUILDINGS A5/S1 PRECAST ELEMENTS		Flakkur nr.: Blað nr.: 4011 13981	Nasta blinnur: 13981
	4 Record drawing 2012.09.12 HS NI EG vds							Verktaki / Supplier HRV	Tekn. / Drawn ÁFV	Tag.teikningar / Dwg. type: REINFORCEMENT		ISAL Teikn.nr. ISAL / Drw.no. of ISAL 251272	Breyt./Rev. A
C:\VDP\01_VDP\400 - Reduction\410 Substation\Drawings\Civil\410-CA-015-272.dwg						ISAL IS-222 Hafnarforður Ísland		ISAL Sambýkkt, dags / ISAL Checked, date		ISAL Sambýkkt, dags / ISAL Approval, date			