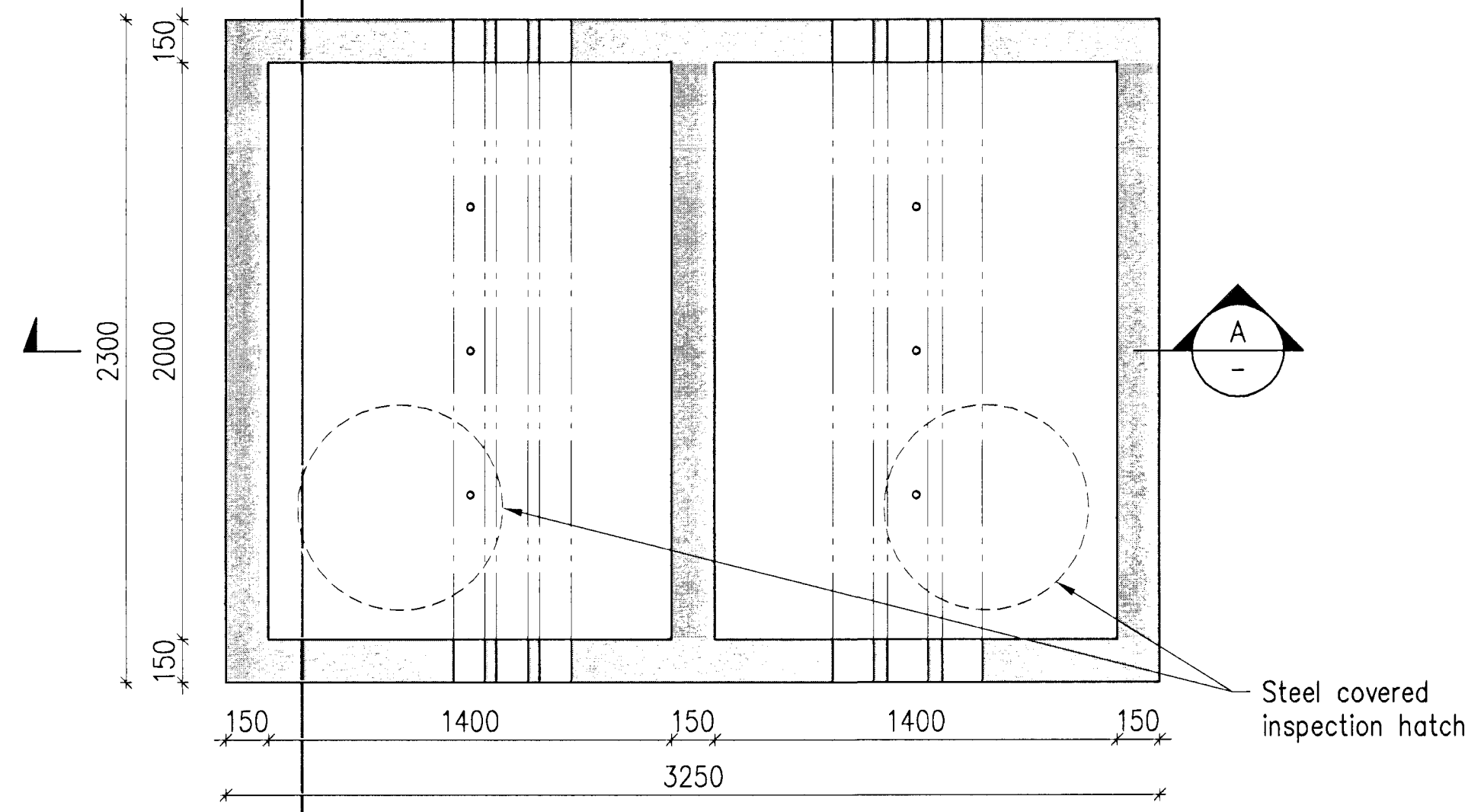


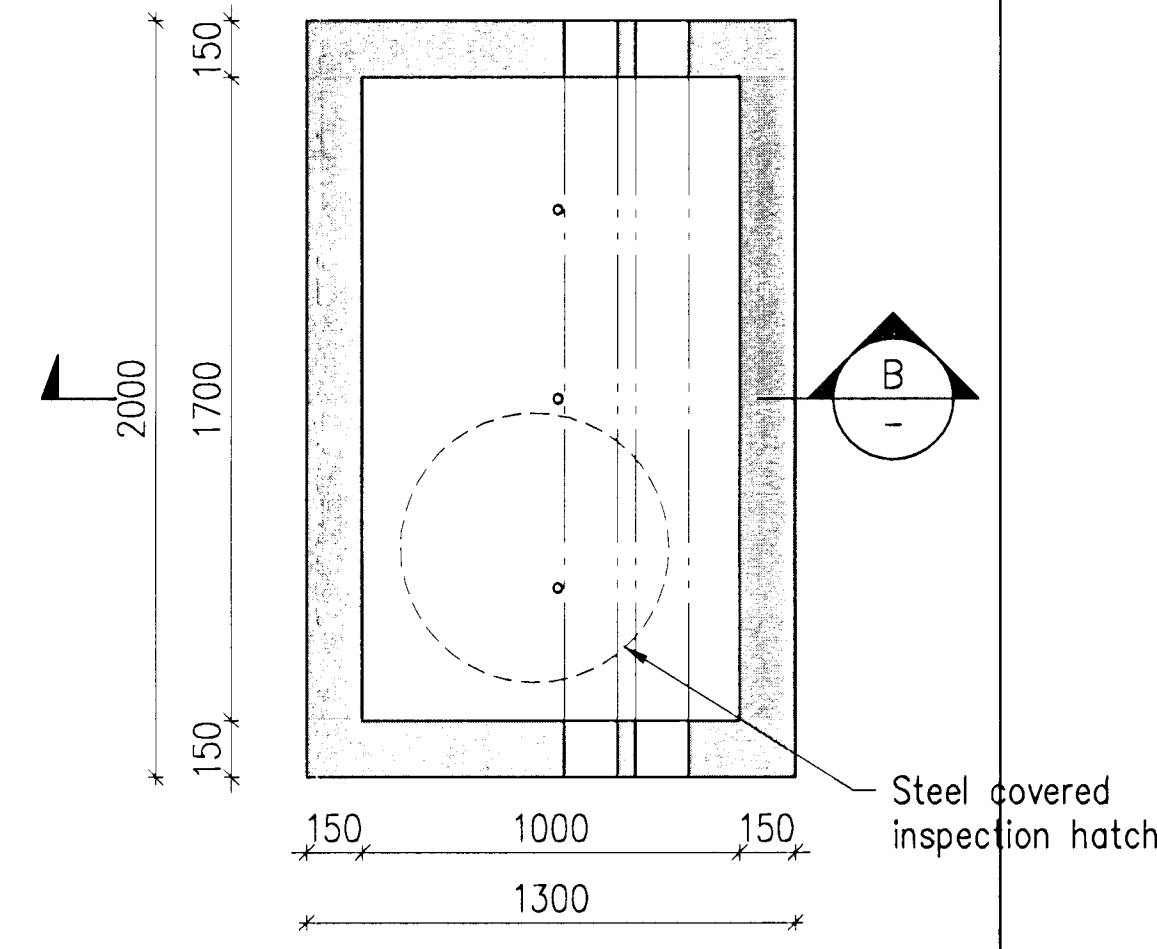
NI

Nick Indrisson  
 Kt. 181144-3949  
 NI

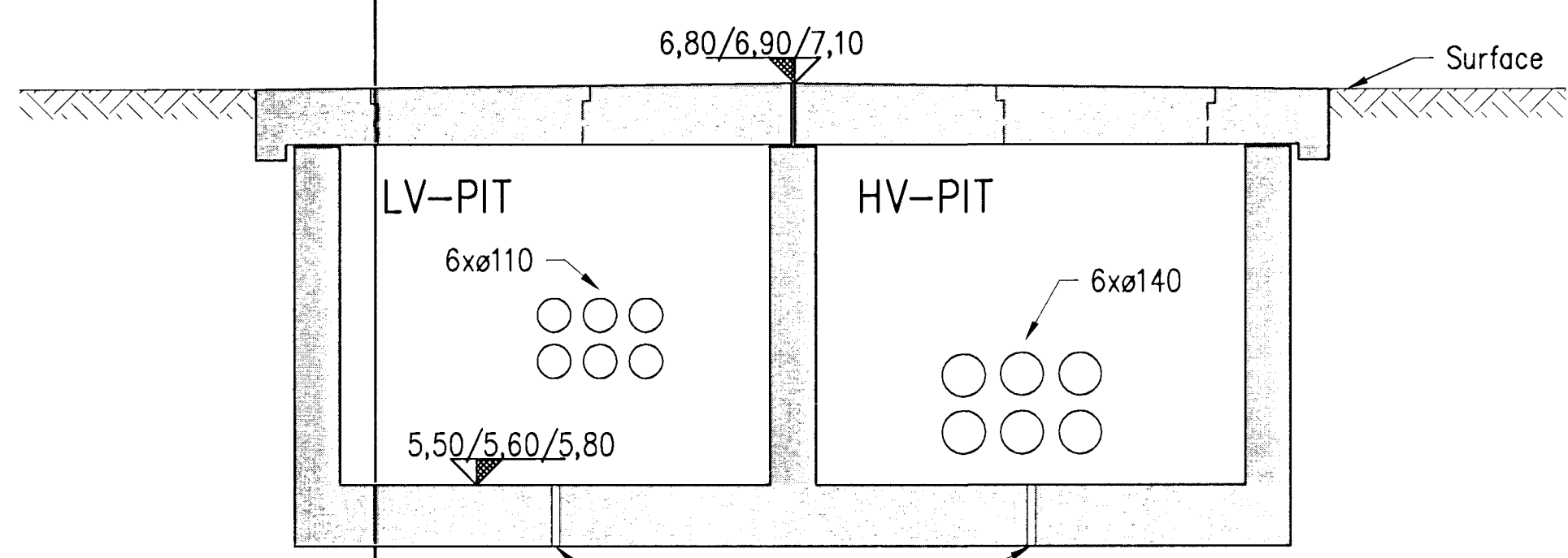
DP7 DRAW PIT 1:20



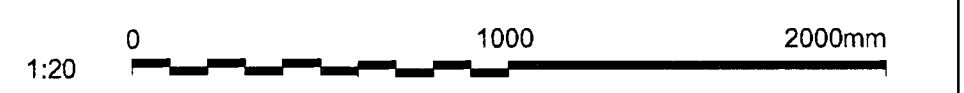
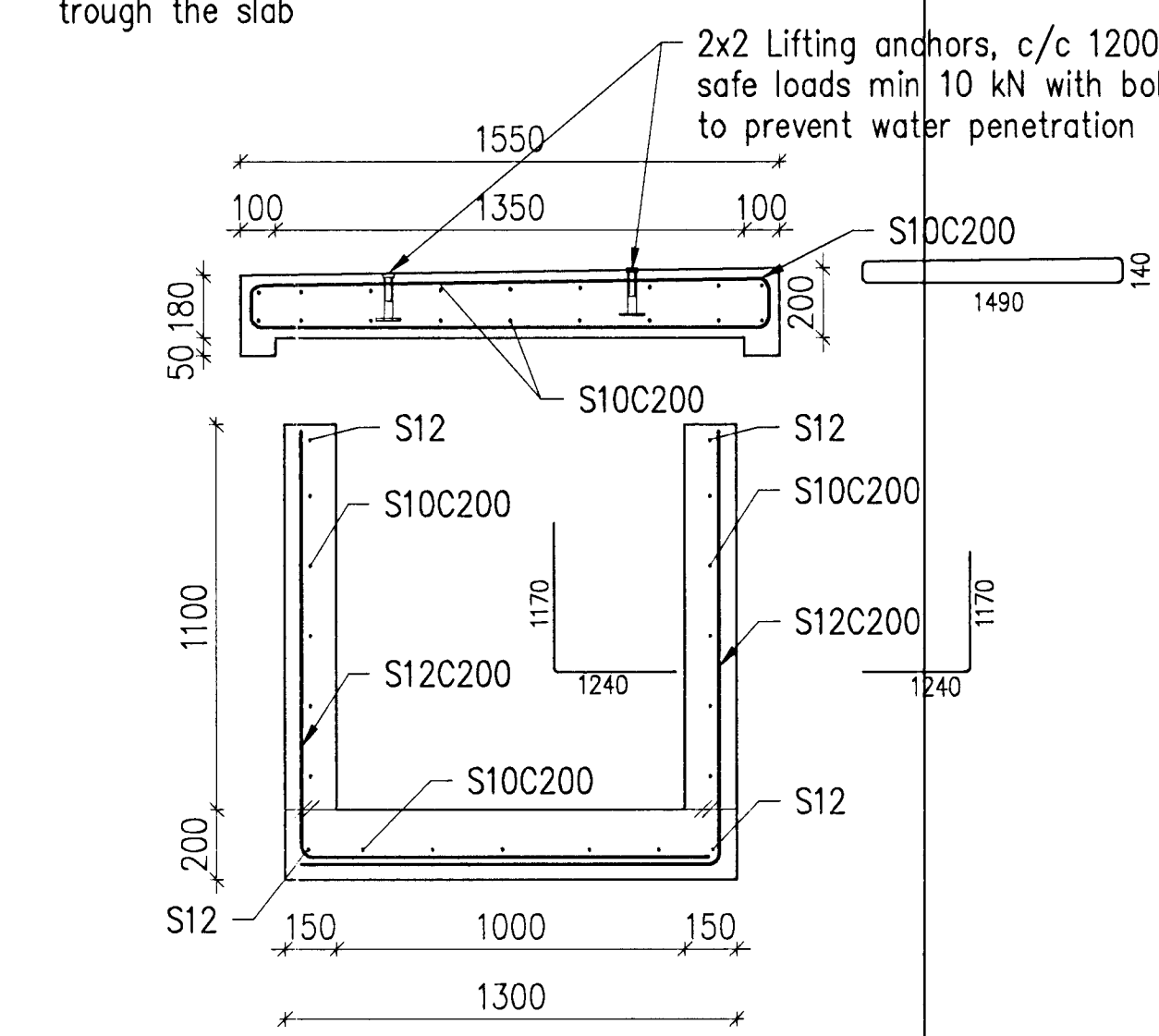
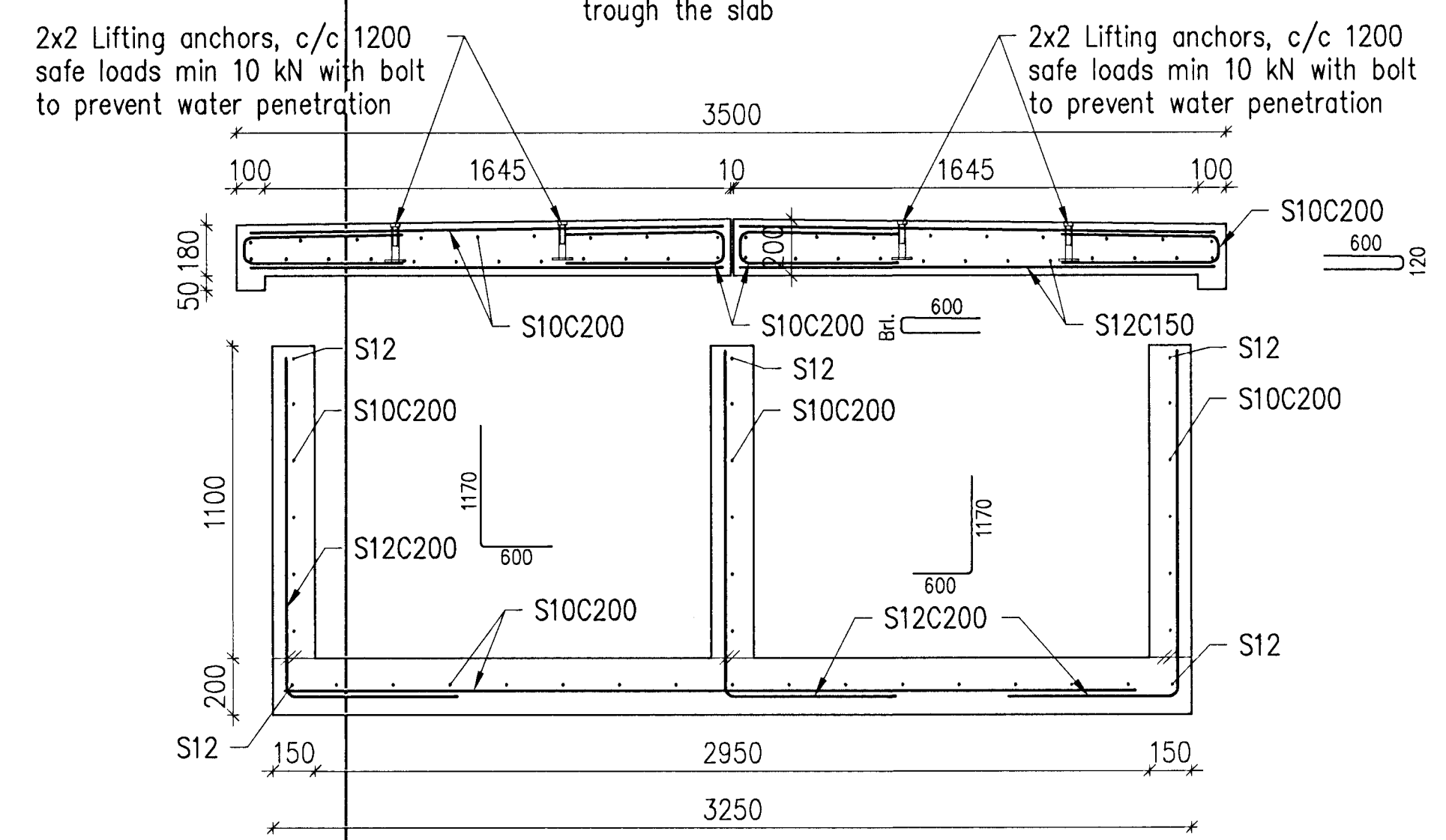
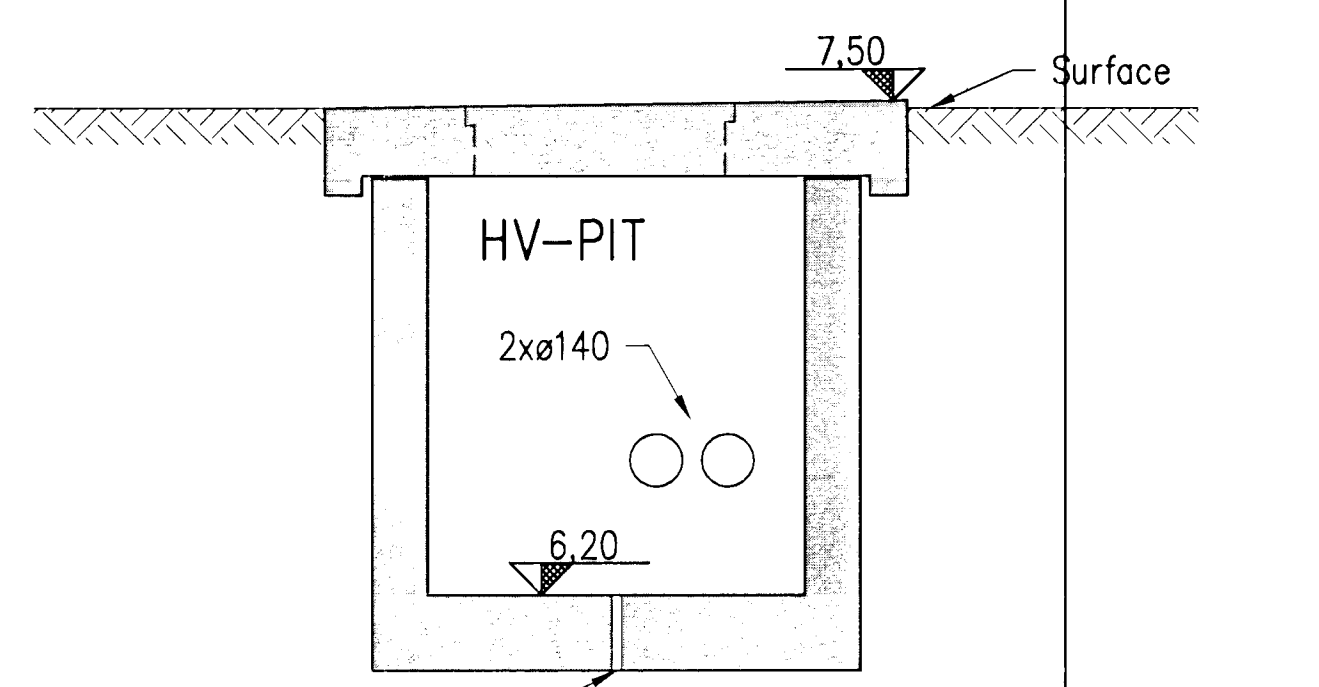
DP8 DRAW PIT 1:20



A SECTION 1:20



B SECTION 1:20



Skýringar Legend:						This drawing is the property of Rio Tinto Alcan Iceland Ltd and handed out for personal use only. It may neither be copied nor made available to others without permission of Rio Tinto Alcan Iceland Ltd. The receiver is liable for any misuse. Scale: 1:20 Dimensions without tolerances according to ISO 2768-1 medium.		Dagsetting / Date: 02.05.2010		IPU 410 - POWER AREA EMBEDDED CONDUITS AND MANHOLES DRAW PITS DP7, DP8 AND DP9, DETAILS			Flokkur nr.:	Blöð nr.:	Nasta bl. nr.:
										Hannað / Designed:	Teikn / Drawn:	EMBEDDED CONDUITS AND MANHOLES DRAW PITS DP7, DP8 AND DP9, DETAILS			Kostn.nr.-Ccmo. / Bdr.nr.-Ea.no:
							Verktaki / Supplier:	ÁFV	Form work, reinforcement			AKS			
							Teikn.nr.verktaka / Supplier drw.no:	HRV	FORM WORK, REINFORCEMENT			UB01			
							Samþykkt / Approved:	Yfir / Chkd:	RioTintoAlcan			ISAL			
							Hluti af / Part of:	NI	ISAL 251270			ISAL			
										ISAL Yfirfarið og skráð, dags / ISAL Checked, date ISAL Samþykkt, dags / ISAL Approval, date					