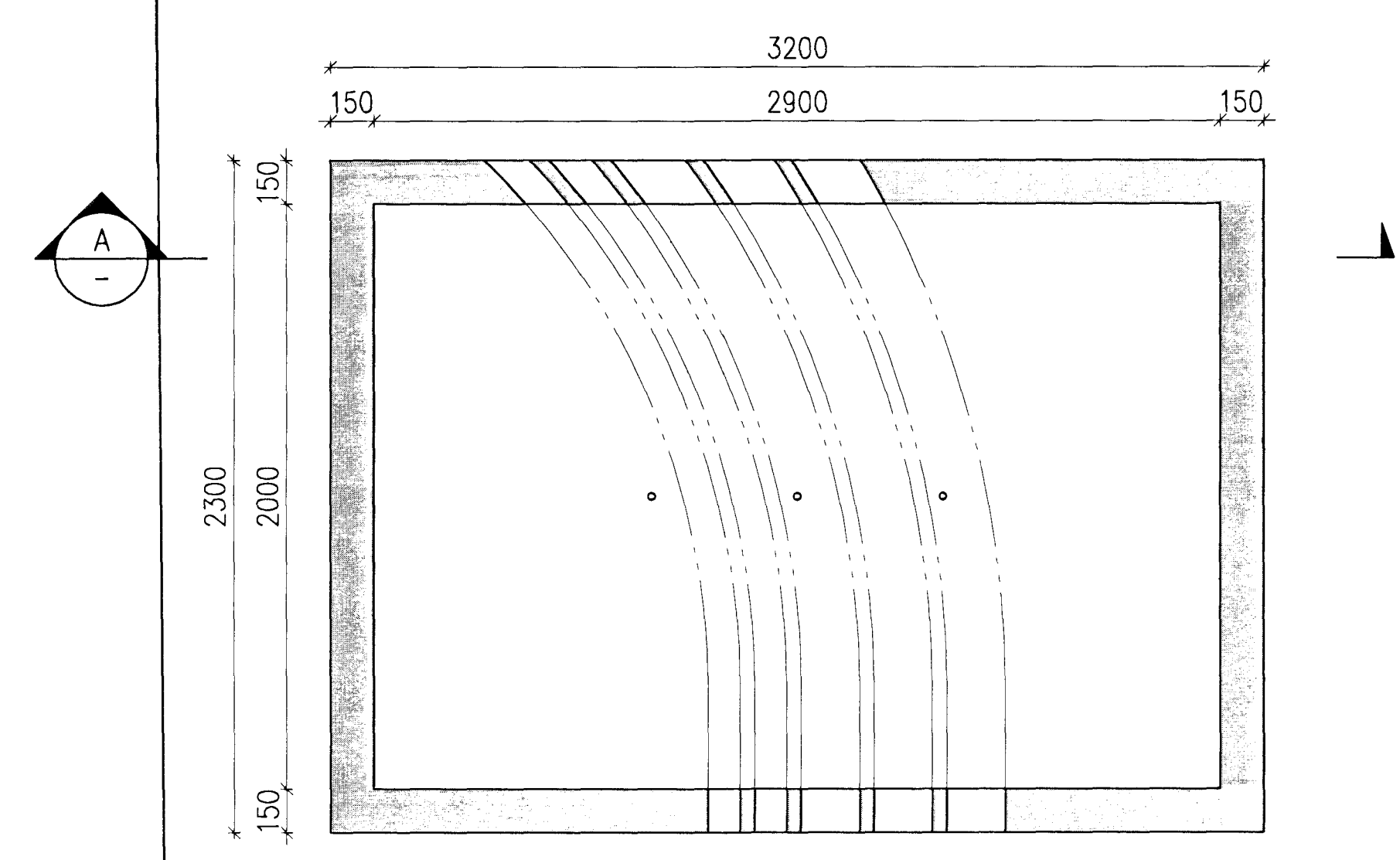
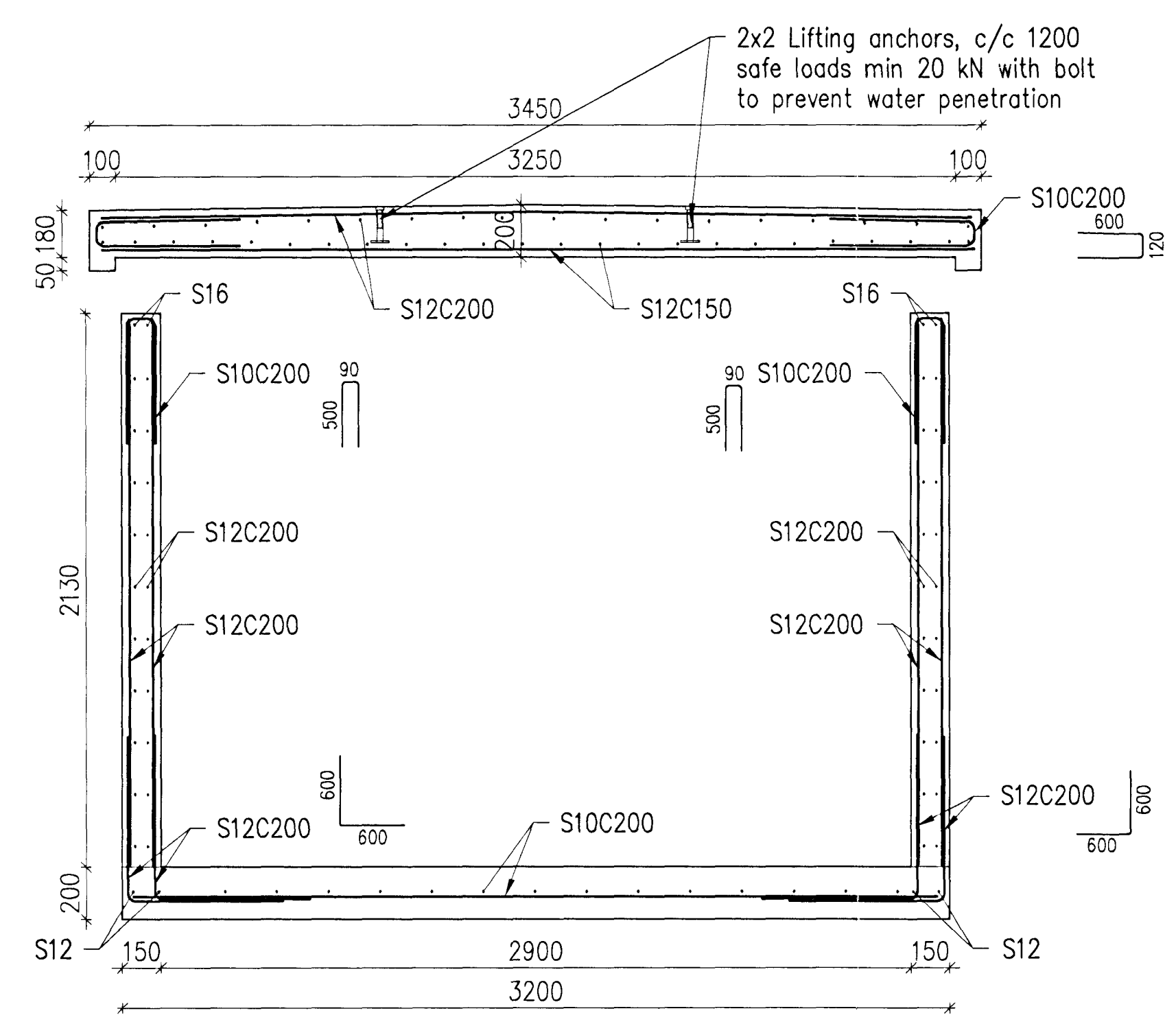
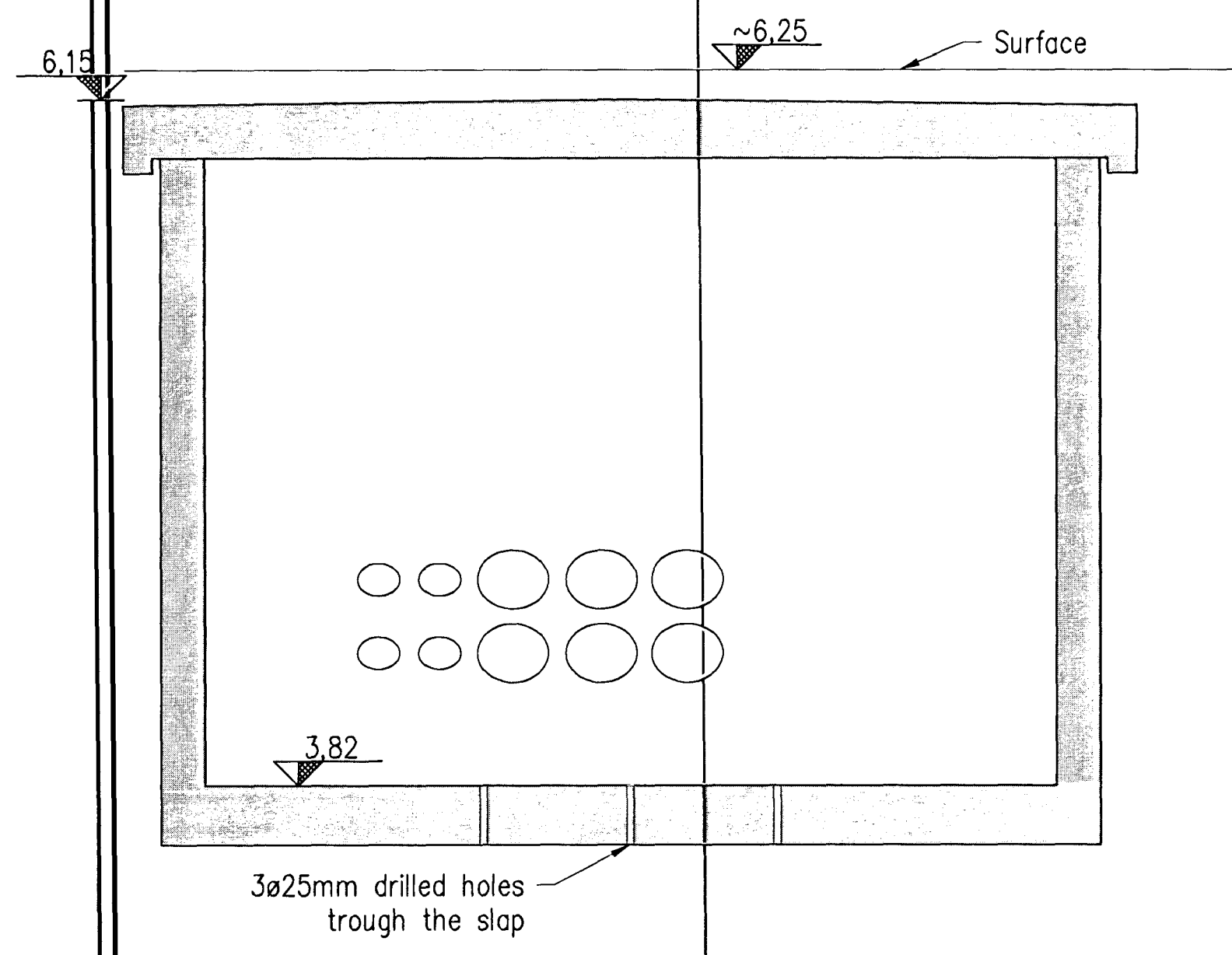


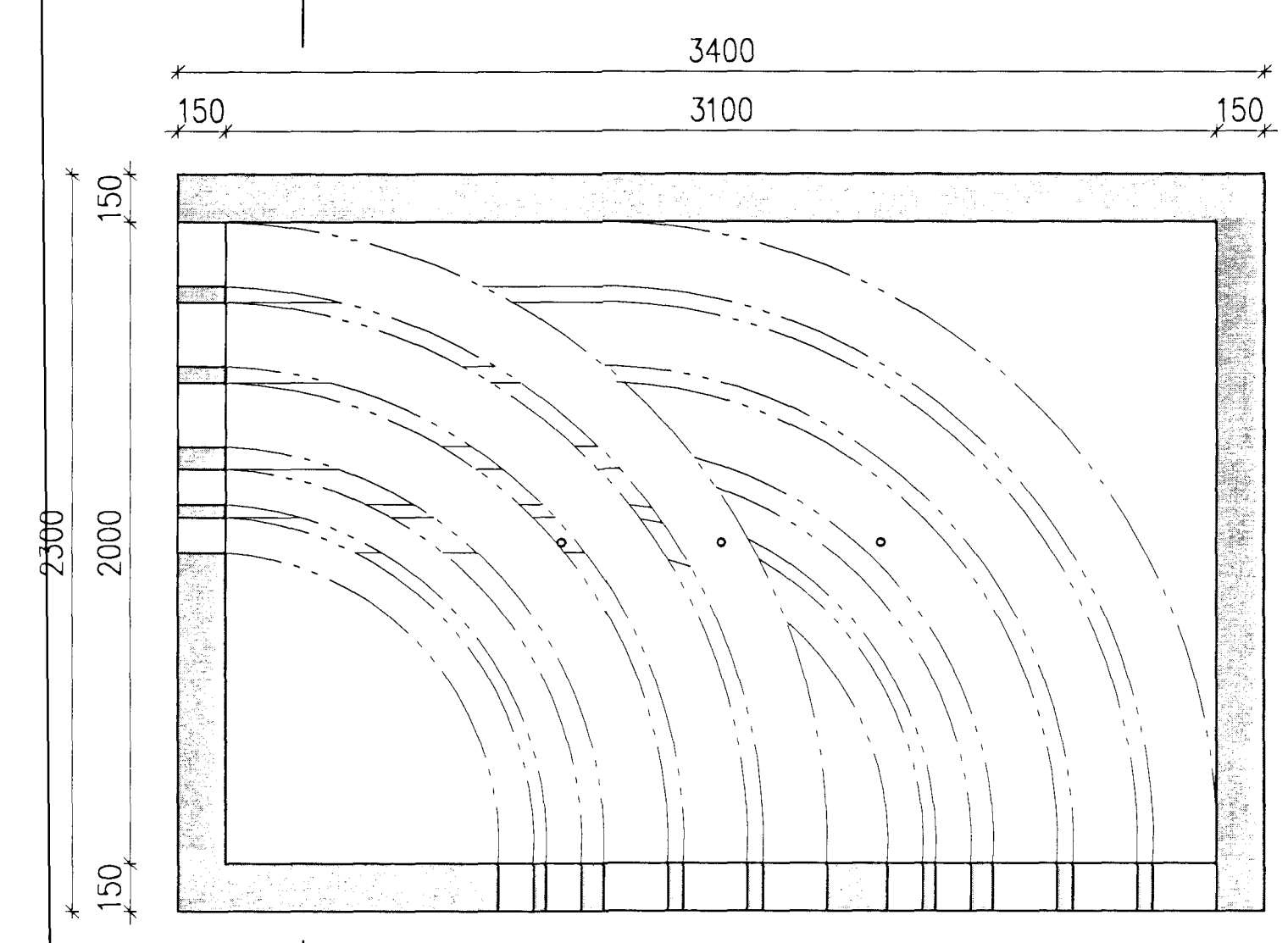
DP3 DRAWING PIT 1:20
256



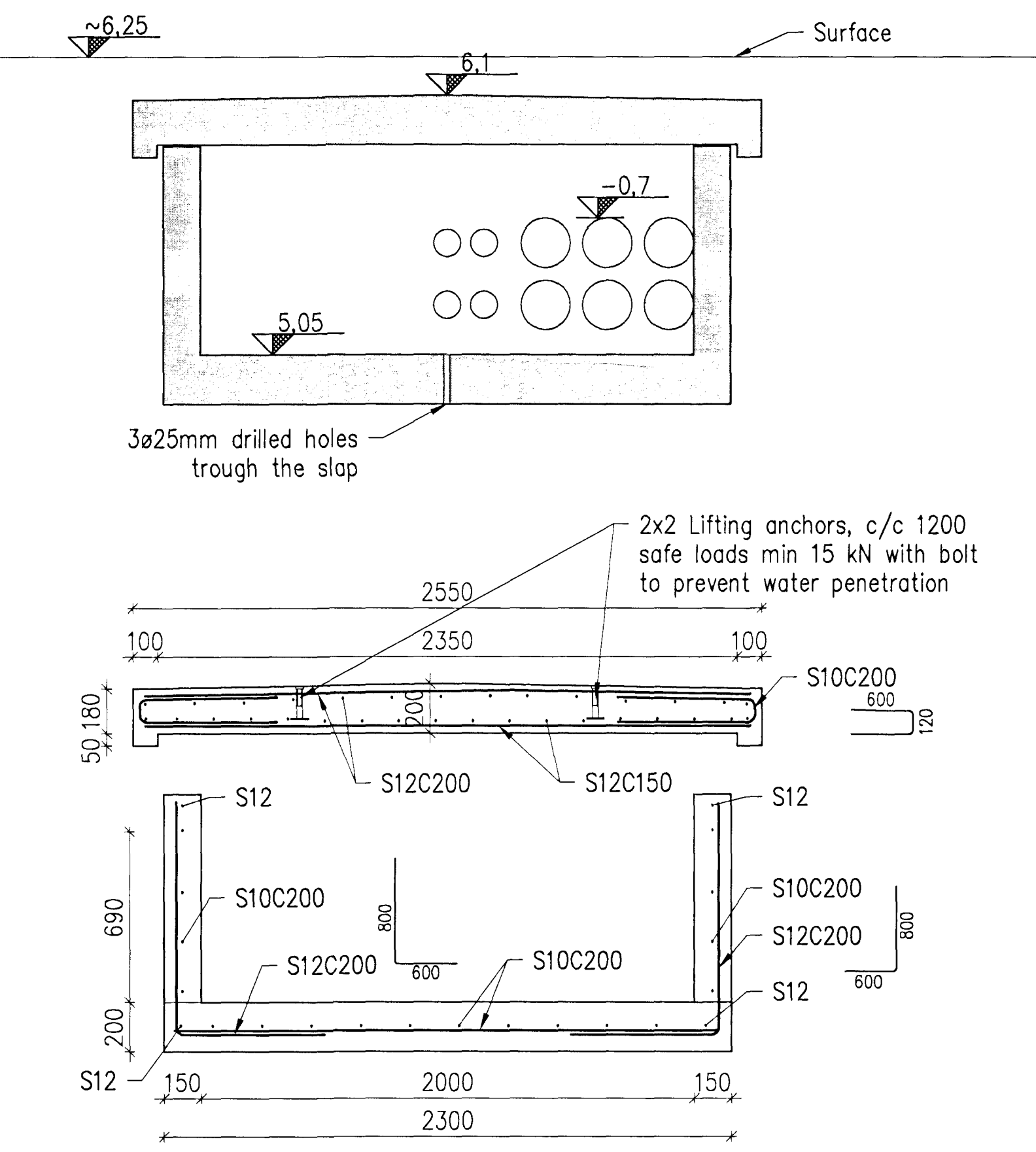
A SECTION 1:20



DP4 DRAWING PIT 1:20
256

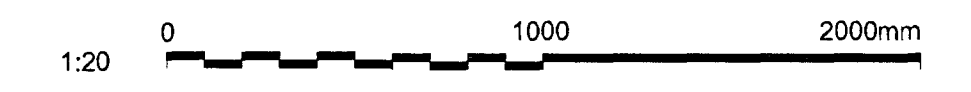


B SECTION 1:20



Sambýkkt þann
01 OCT 2012
Byggingafulltrúinn / Hafnarfróði
F.h. Sigurður Steinar Jónsson

Níels Indriðason
Kt. 181144-3949 NI



Skýringar: Legend:						This drawing is the property of Rio Tinto Alcan Iceland Ltd. and is not to be copied or used for personal use only. It may neither be copied nor made available to others without permission of Rio Tinto Alcan Iceland Ltd. The receiver is liable for any misuse. Scale: 1:20 Dimensions without tolerances according to ISO 2768-1 medium.	HRVA HATCH REAL PRODUCTION UPGRADER	Dagsetning / Date: 2010.08.23 Hluti af / Part of:		IPU 410 - POWER AREA EMBEDDED CONDUITS AND MANHOLES DRAWING PIT DP3 AND DP4, DETAILS DRAWING PITS		Flokkur nr.: 4011 Blað nr.: 01188	Næsta bl. nr.: Kostn. nr. - Cono. / Bón. nr. - Eq.no. 4011 01188
	13 Record drawing Lýsing: Lysing Description: Description	2012.09.12 Dagsetning: Date Des/Dra: Des/Dra	GWG Hafi/Des: Designer	NI Yfir/Des: Checker	NI Notk. heiti/Suppl: Supplier			NI Notk. heiti/Suppl: Supplier	Tekni / Drawn: GMG Verktaki / Supplier: HRV	Tækniráðgjafi / Supplier drwno: IDP-410-CA-015-261 Símbýkkt / Approved: NI Yfir / Chkd: NI	RioTinto Alcan Alcan Iceland Ltd Straumsvík IS-222 Hafnarfordur Ísland	ISAL Tæknir. ISAL / Drawn of ISAL: 251268 Breyt./Rev.: A	ISAL Sambýkkt, dags / ISAL Approval, date