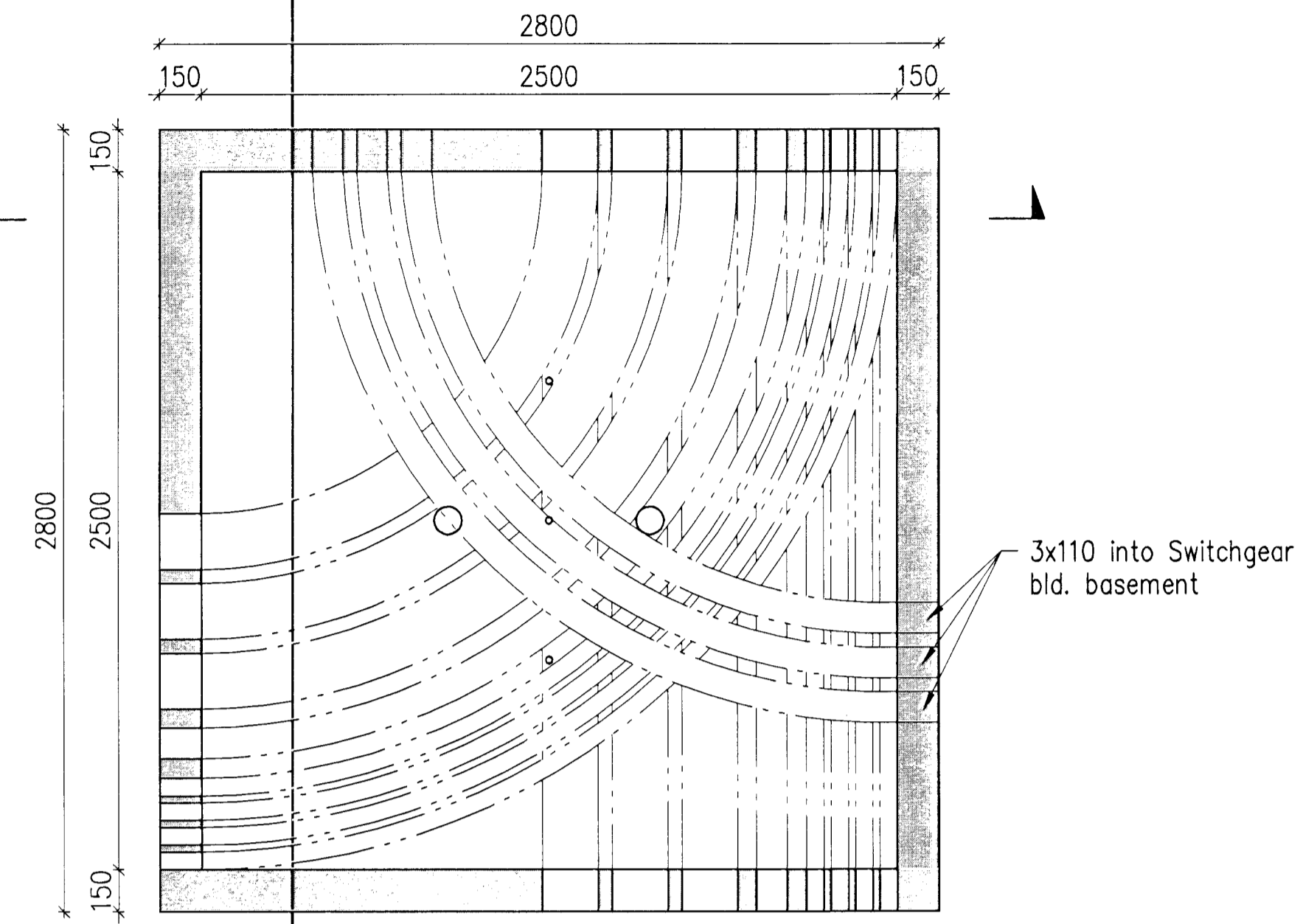
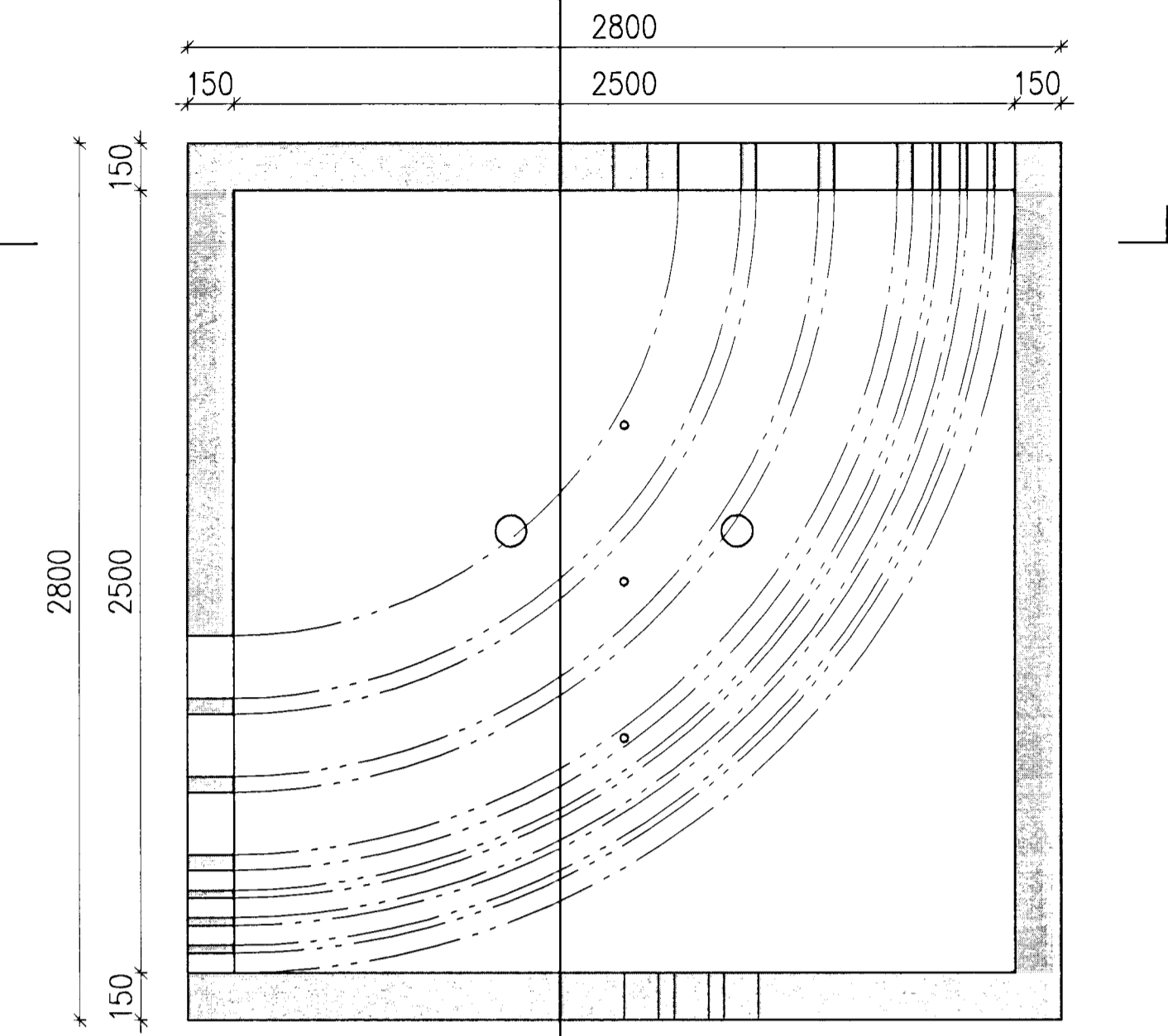


DP1 DRAWING PIT 1:20
256



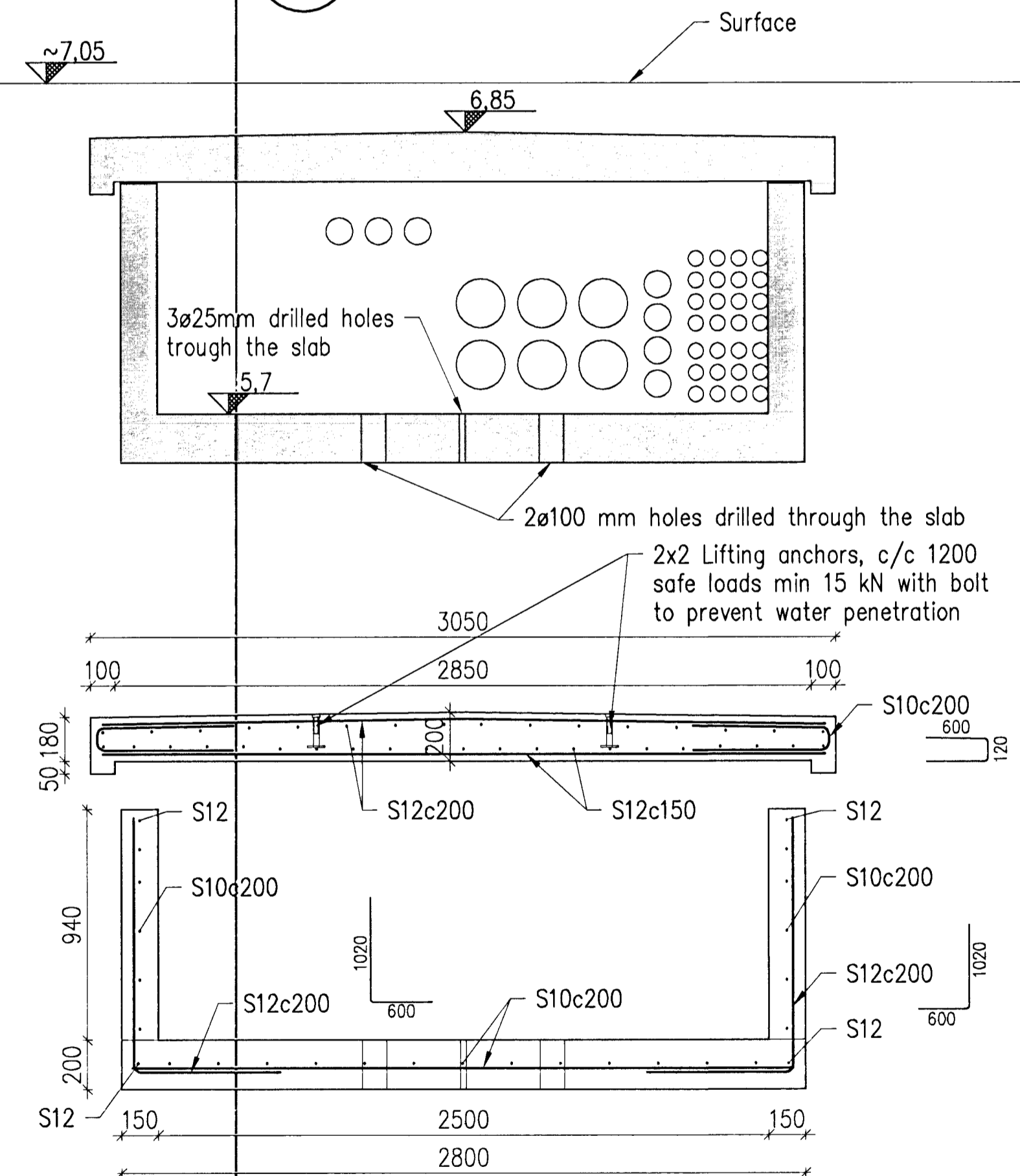
DP2 DRAWING PIT 1:20
256



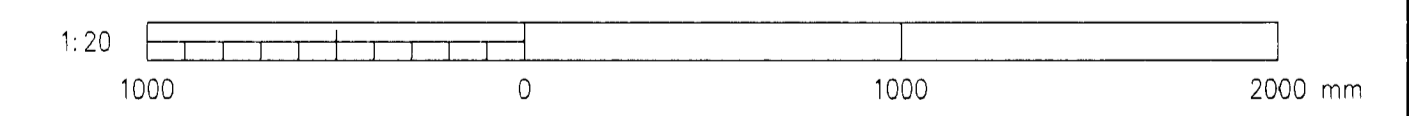
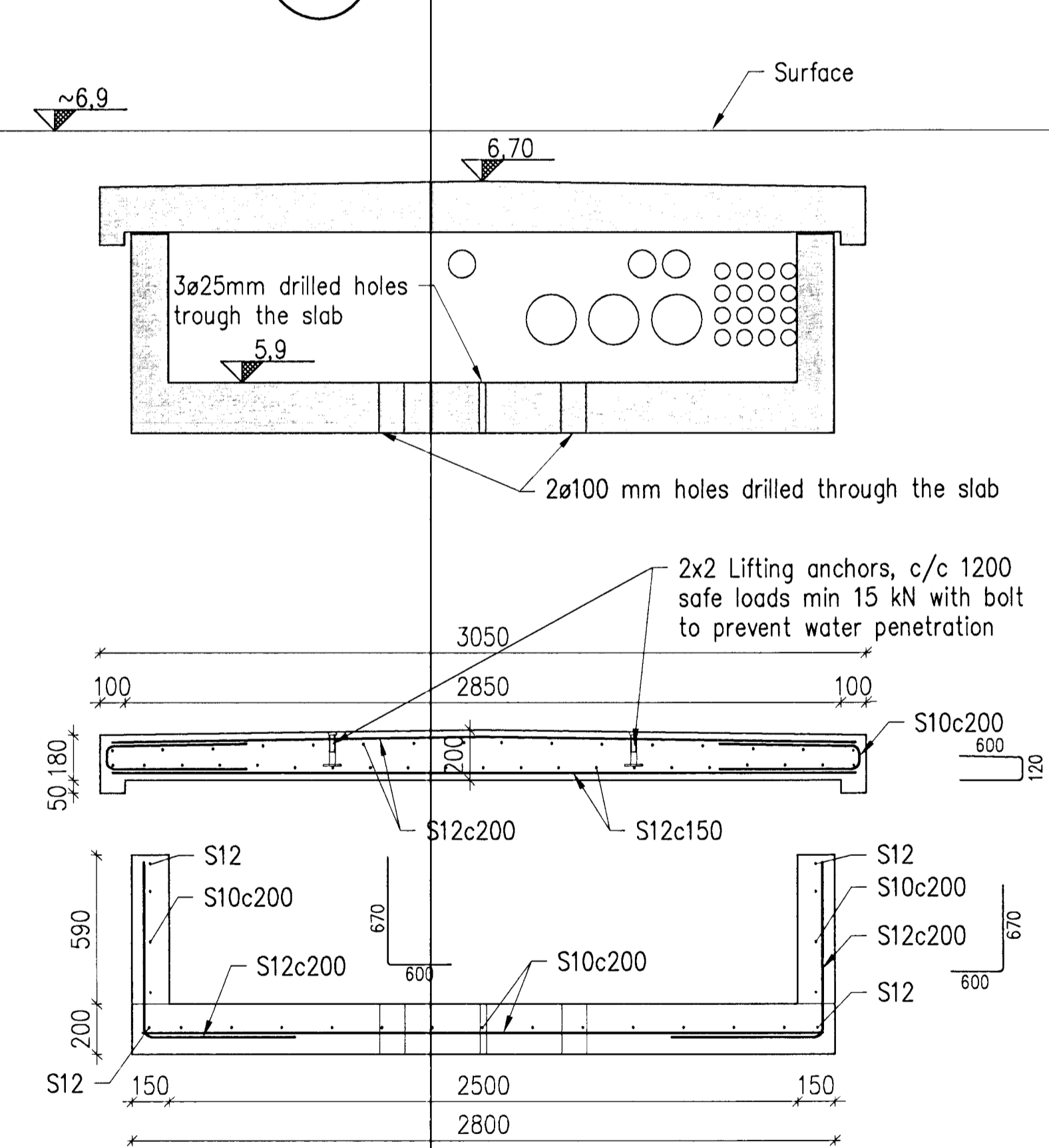
Samþykkt þann
01 OCT 2012
Byggingafráttárin í Hafnarfirði
F.h. Sigurður Steinar Jónsson

Nick Indrisarov
Kt. 181144-3949
NI

A SECTION 1:20



B SECTION 1:20



Skýringar Legend:	This drawing is the property of Rio Tinto Alcan Iceland Ltd. and handed out for personal use only. It may neither be copied nor made available to others without permission of Rio Tinto Alcan Iceland Ltd. The receiver is liable for any misuse.					 HRV & HATCH ISAL PRODUCTION UPGRADE	Dagsetning / Date 2010.08.23		IPU 410 - POWER AREA EMBEDDED CONDUITS AND MANHOLES DRAWING PIT DP1 AND DP2, DETAILS		Flokkur nr.:	Blöð nr.:	Nesta bl. nr.:
	Stofn: A1 Mkv.: 1:20 Færsla: Scale: 1:20 Dimensions without tolerances according to ISO 2768-1 medium.						Hönnuð / Designed: CMG Teikn / Drawn: CMG Verktaki / Supplier: HRV		Tekn.nr.verkataka / Supplier drw.no.: IDP-410-CA-015-260 Samþykkt / Approved: Yfir / Chkd: NI		Kostn.nr.-Gögn. / Bón.nr.-Eg.no.: 4011 01188 Teg.teikningar / Þwg. type: AKS UB01		Flokkur nr. / Drw.no. of ISAL: 251267 Breyt./Rev.: A
14	Record drawing	2012.09.12	CMG	NI	BS	MS	Húti af / Part of:		ISAL: ISAL Yfirfarið og skráð, dags / ISAL Checked, date ISAL: ISAL Samþykkt, dags / ISAL Approval, date				