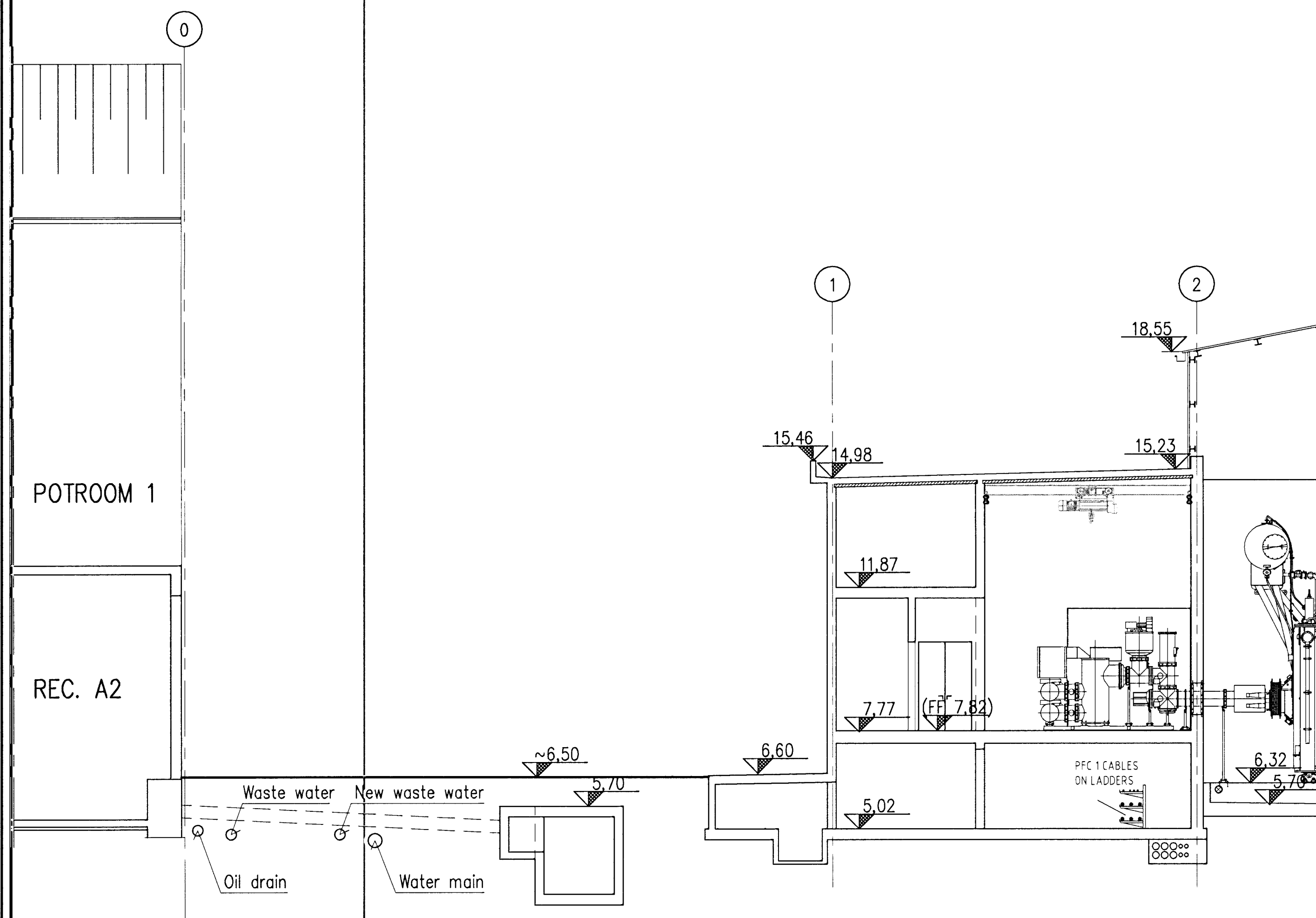
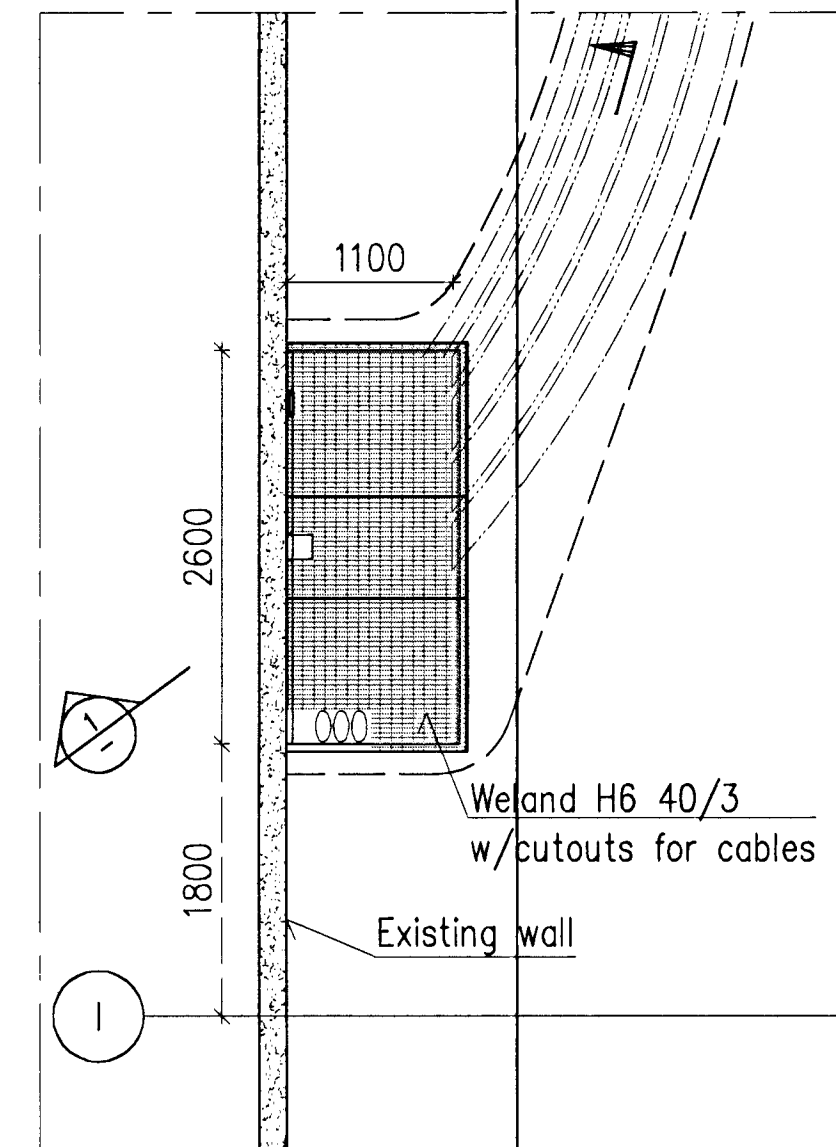


Níels Indriðason
 Kt. 181144-3949 NI

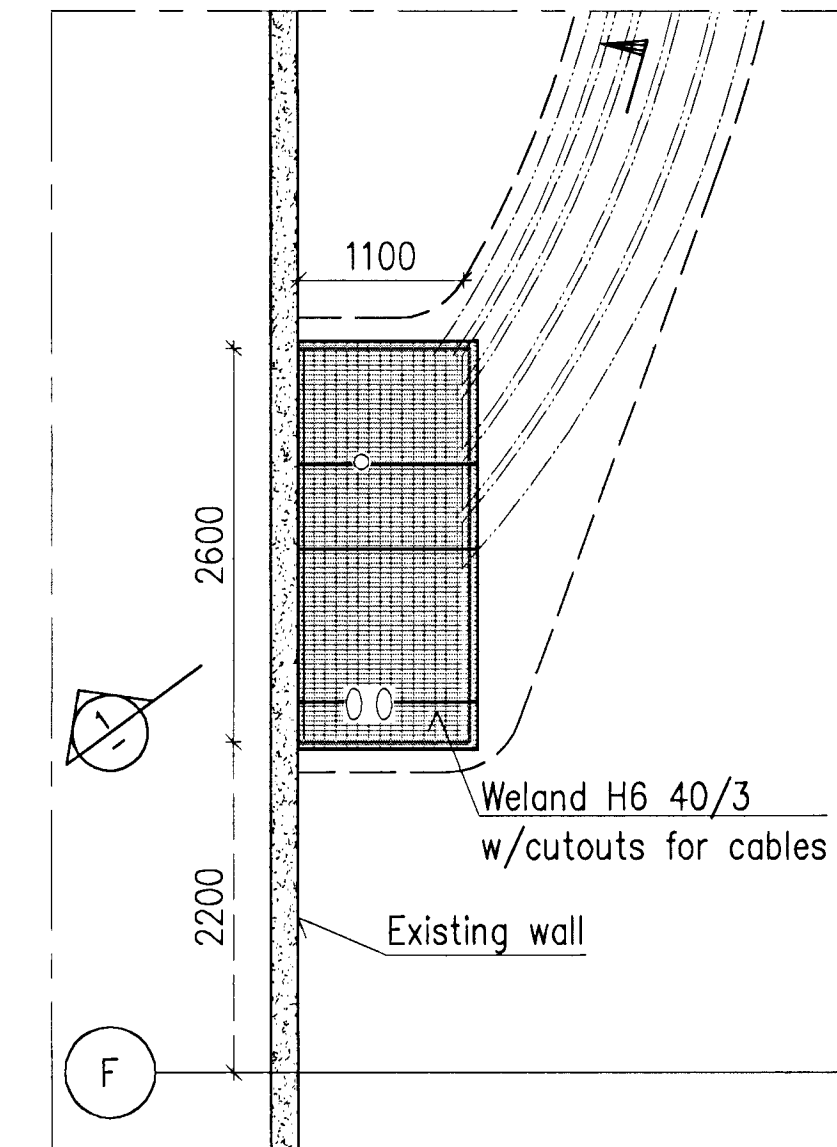


A SECTION, 1:100
 256

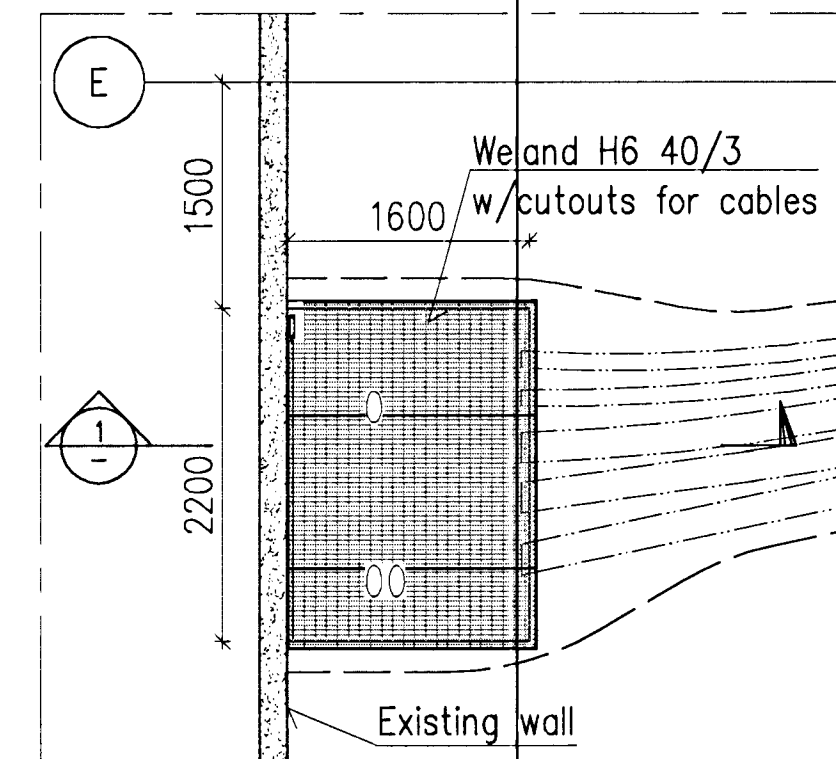
D SECTION, 1:100
 256



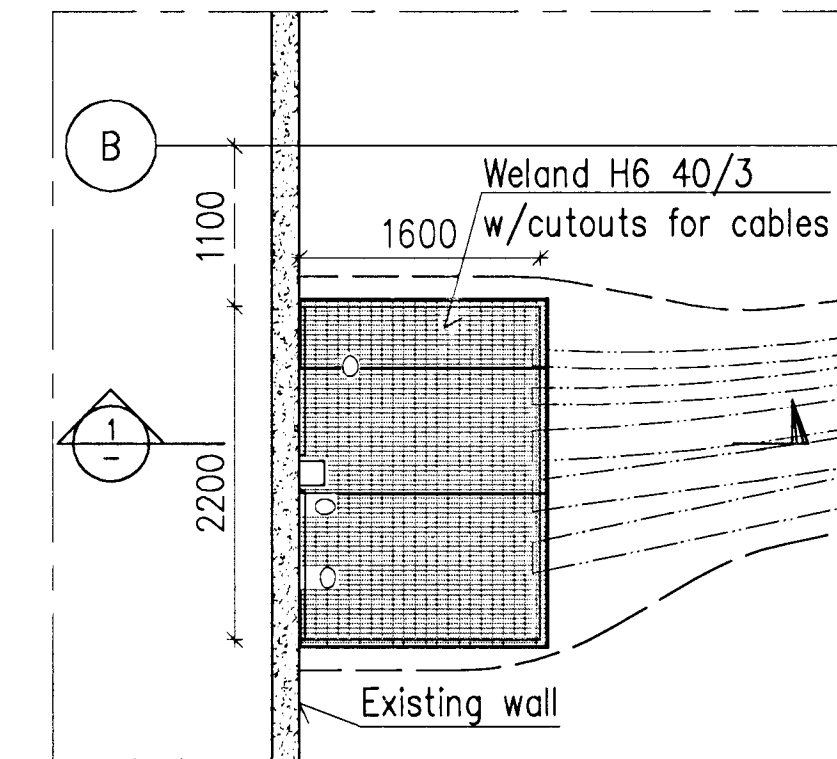
1 DETAIL, 1:50
 256



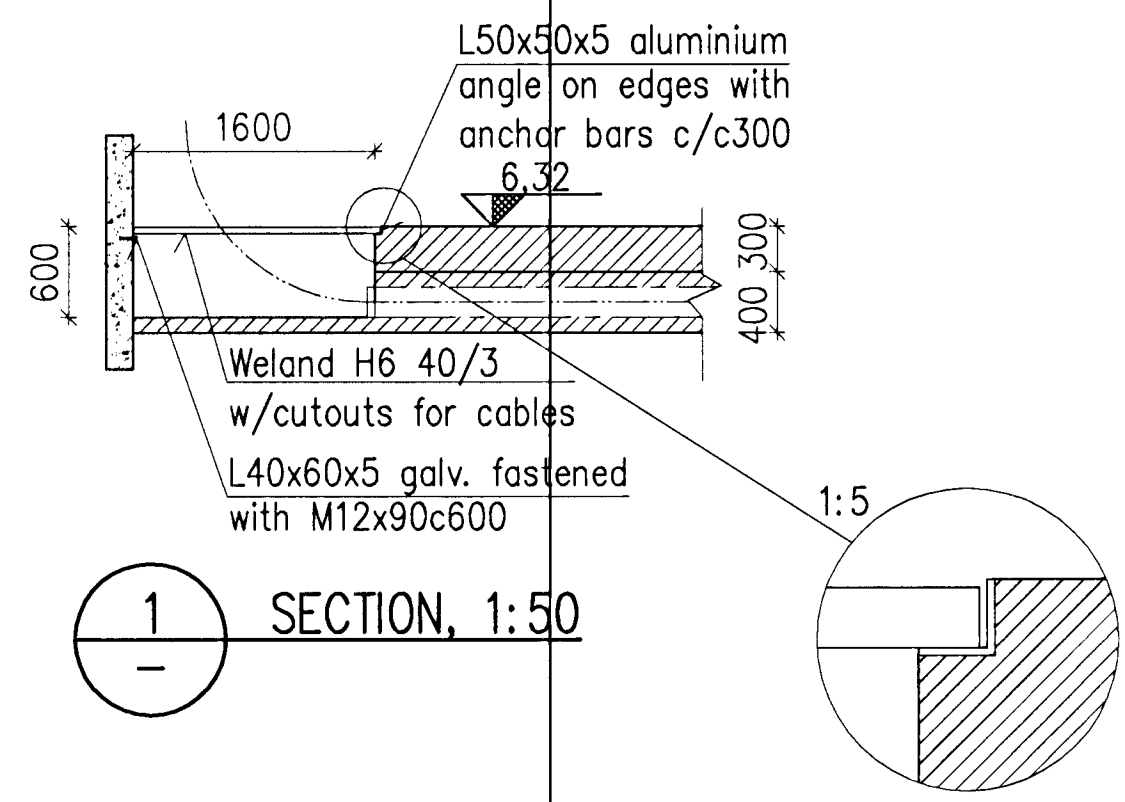
2 DETAIL, 1:50
 256



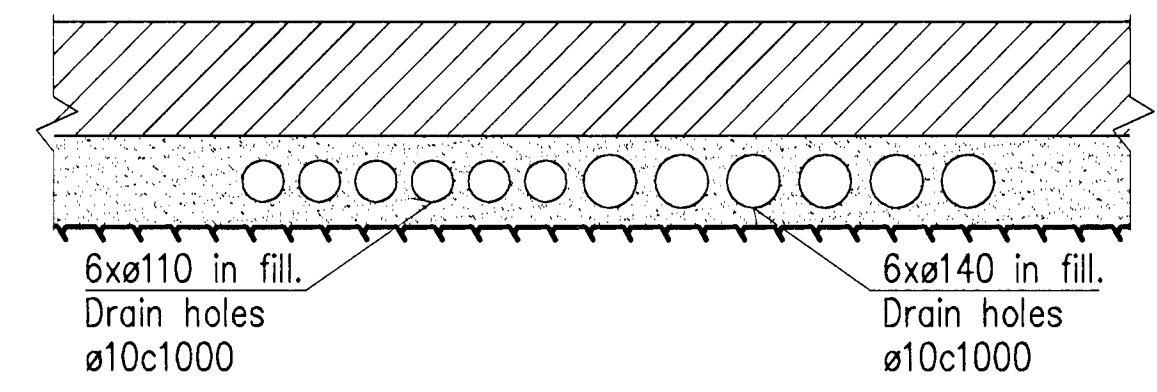
3 DETAIL, 1:50
 256



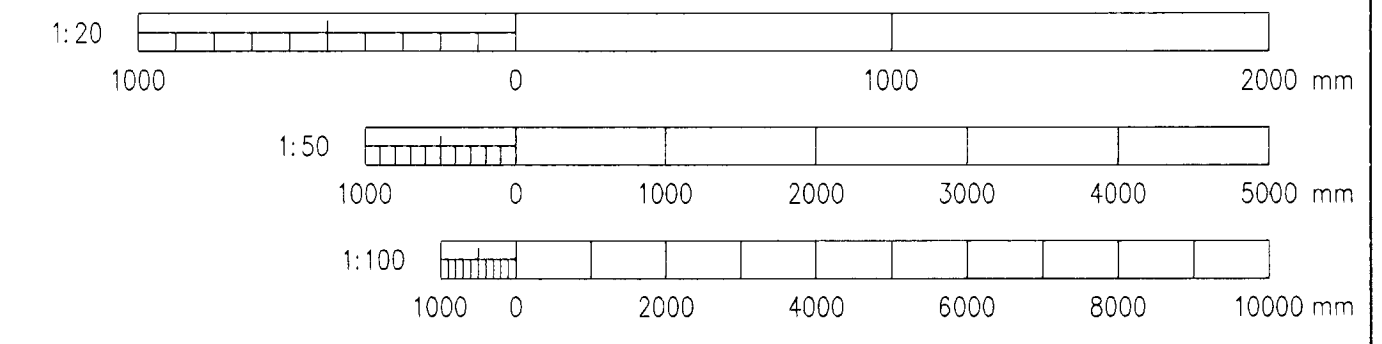
4 DETAIL, 1:50
 256



1 SECTION, 1:50



2 SECTION, 1:20



Skýringar:
 Legend:
GRATING:
 Weland H6 40/3 Mesh size 34x75 or similar.
 All grating, support angles and beams and anchorbolts to be hot dip galvanized, min 80µ.
 All dimensions shall be checked on site.

17	Record drawing		2012.09.12	HS	NI	EG	MS	
Útg nr	Revisi	Lýsing	Dagsetning	Har/Ún	Yfir	Notk heim	Notk heim	
Rev no		Description	Date	Des/Drw	Chk	Suppl Ref	ISAL Ref	

This drawing is the property of Rio Tinto Alcan Iceland Ltd. and handed out for personal use only. It may neither be copied nor made available to others without permission of Rio Tinto Alcan Iceland Ltd. The receiver is liable for any misuse.

Scale: A1 Mkv: 1:100, 50, 20
 Dimensions without tolerances according to ISO 2768-1 medium.

HRV HATCH
 ISAL PRODUCTION UPGRADE

Dagsetning / Date: 2009.09.01
 Hannab / Designed: ÁFV/NI
 Tekn / Drawn: ÁFV/NI
 Verktö / Supplier: HRV
 Tekn. nr. verktö / Supplier drw. no.: IDP-410-CA-015-257
 Samþykkt / Approved: NI
 Hluti af / Part of:

IPU 410 - POWER AREA
 EMBEDDED CONDUITS AND MANHOLES
 SECTION A, DETAILS AND SECTION 1

Flokkur nr.: 4011
 Blað nr.: 01188
 Nasta bl. nr.:
 Kostn. nr. - Cono. / Búnr. - Egn. no.:
 UB01
 ISAL
 Alcan Iceland Ltd
 Straumavík
 IS-222 Hafnarfordur
 Ísland
 251264
 A

ISAL Yfirbúð og skráð, dags / ISAL Checked, date
 ISAL Samþykkt, dags / ISAL Approved, date