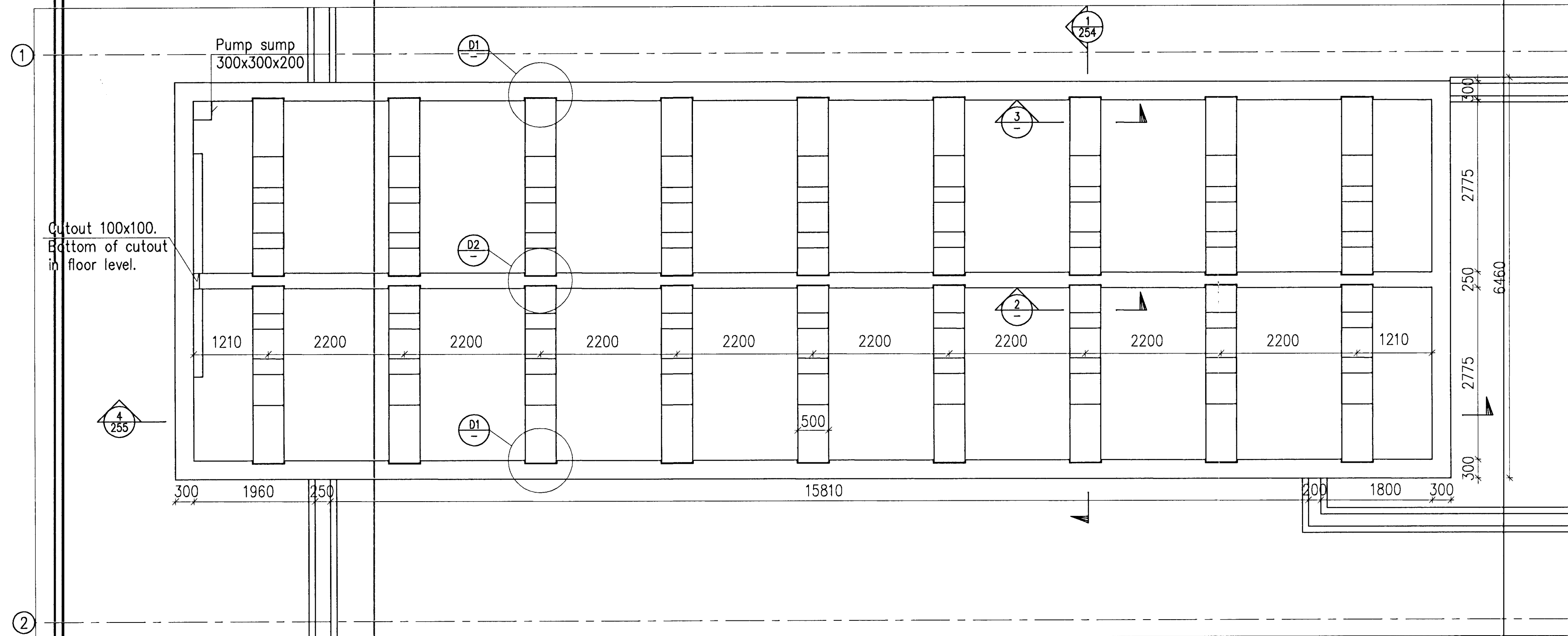
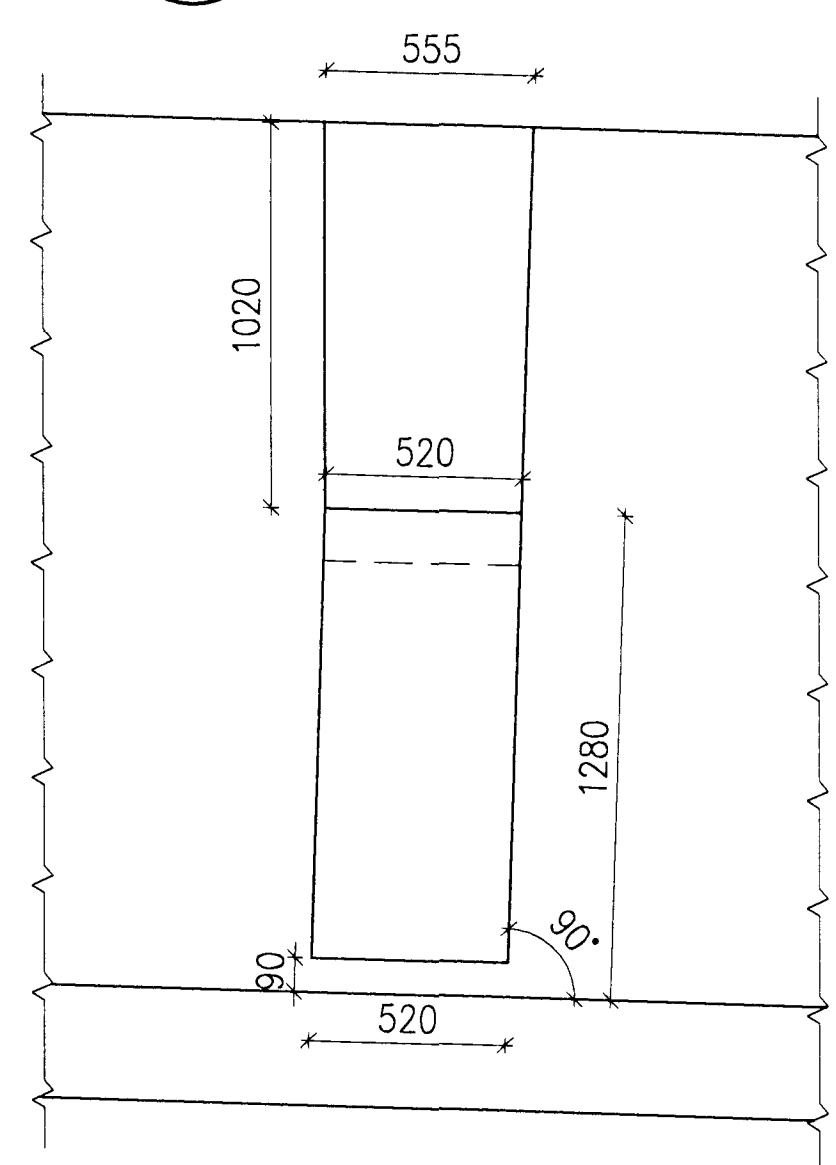


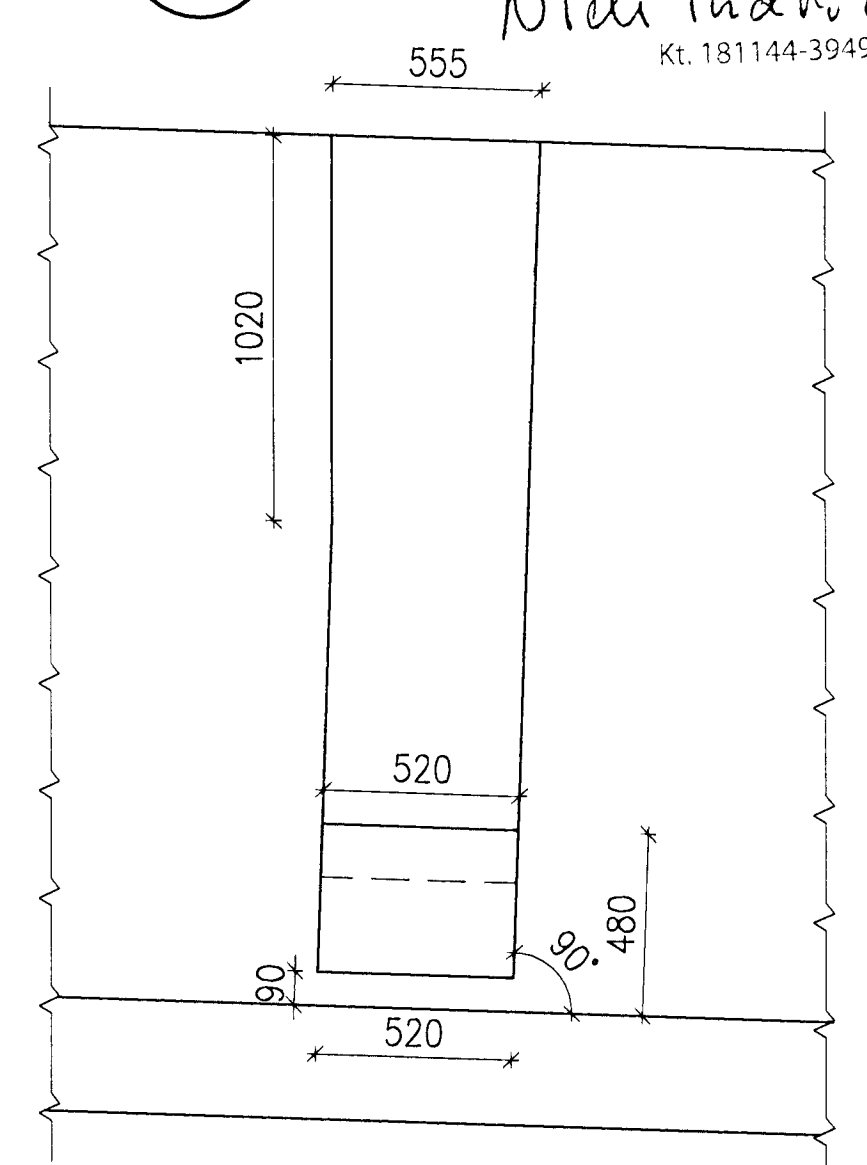
TUNNEL BETWEEN P2 AND P3, CONCRETE SUPPORTS, PLAN, 1:50



2 SECTION, 1:20



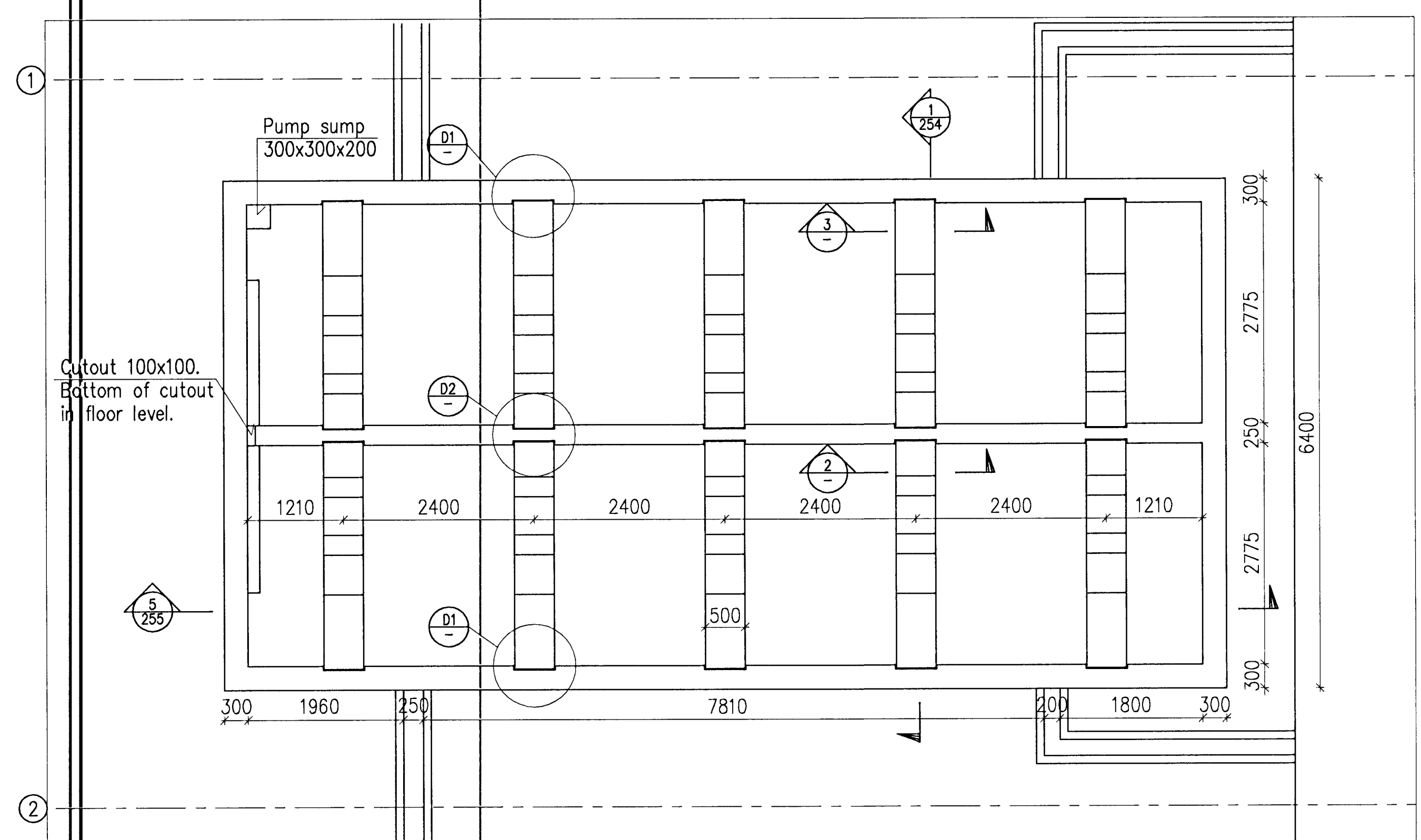
3 SECTION, 1:20



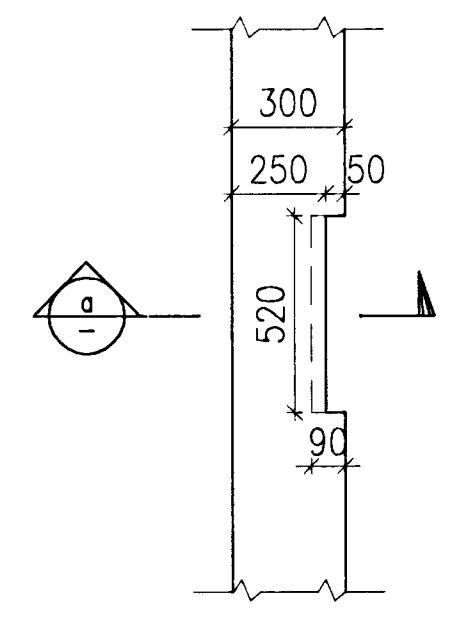
Samþykkt bann
 01 OCT 2012
 Byggingafræðingur / Ing. /
 F.h. Sigurður Steinar Jónsson

Níðri Indriðsson
 Kt. 181144-3949

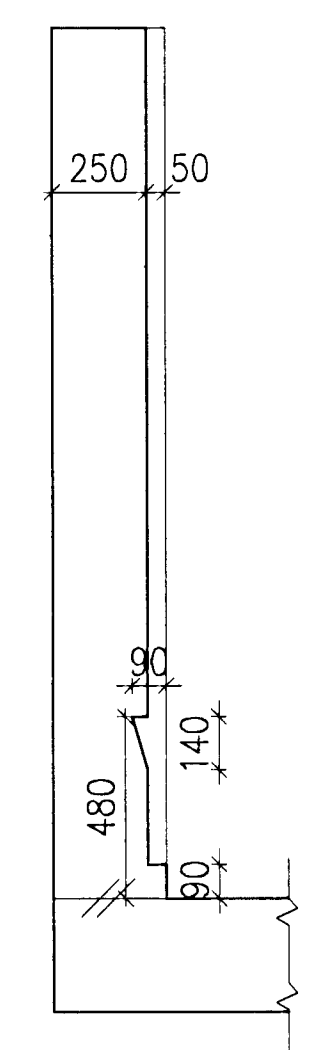
TUNNEL BETWEEN P1 AND P2, CONCRETE SUPPORTS, PLAN, 1:50



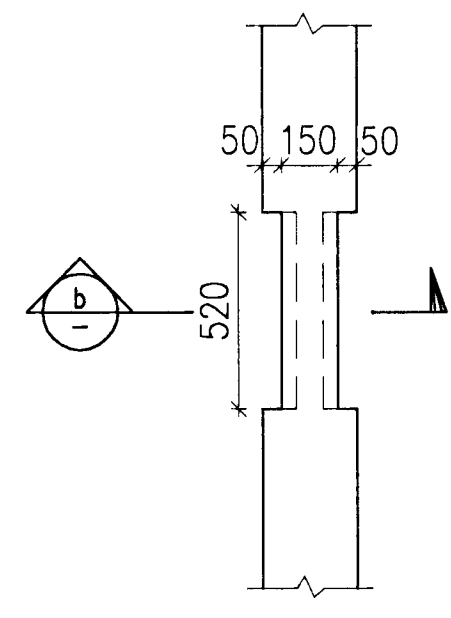
D1 DETAIL, 1:20



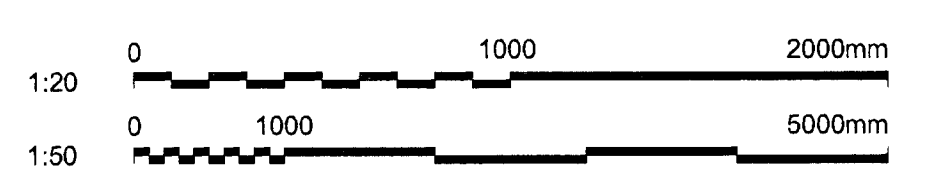
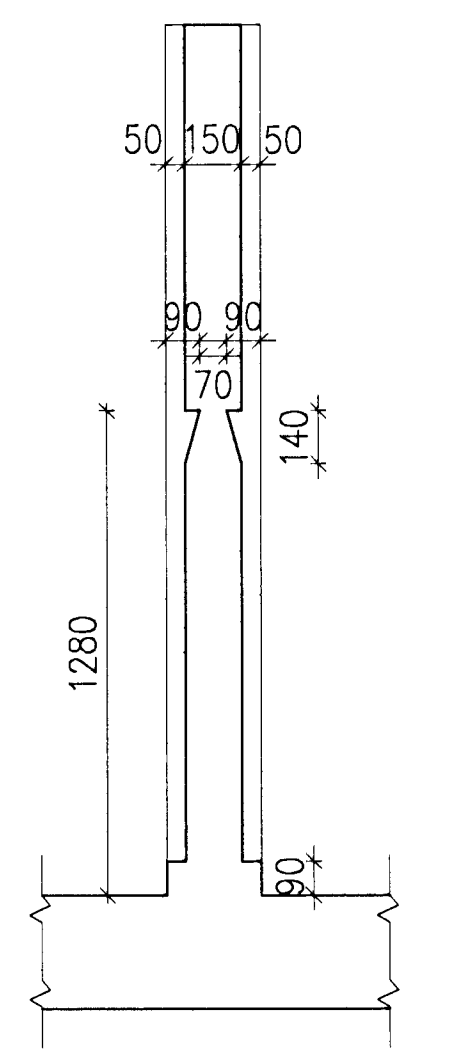
a SECTION, 1:20



D2 DETAIL, 1:20



b SECTION, 1:20



Skýringar Legend:										This drawing is the property of Rio Tinto Alcan Iceland Ltd and handed out for personal use only. It may neither be copied nor made available to others without permission of Rio Tinto Alcan Iceland Ltd. The receiver is liable for any misuse. Stærð / Format: A1 Mkv. / Scale: 1:20, 1:50 Dimensions without tolerances according to ISO 2768-1 medium.	HRV HATCH JOINT VENTURE ISAL PRODUCTION UPGRADE	Dagsetning / Date 2010.11.16	IPU410-RECTIFIER BUILDINGS A5/S1 AND B5/S2 CONCRETE SUPPORTS, PLAN	Flokkur nr.: Blað nr.: Næsto bl.: 4011 16961
	Höfundur / Designed CMG	Tækn / Drawn CMG	Verktaki / Supplier HRV	Tækn.nr.verktaka / Supplier drw.no. IDP-410-CA-015-253	Symbúikt / Approved NI	Yrfr / Chkd NI	Hluti af: / Part of:	ISAL Alcan Iceland Ltd IS-222 Hálnaflgarður Ísland	Tækn.nr. ISAL / Drw.no. of ISAL 251260			Breyt / Rev. A		
Útg nr Rev no	Lýsing Description	14 Record drawing	2012.09.12	GMG	NI	EAG	Notk heim Suppl Rel	Notk heim ISAL Rel	ISAL Yfirbót og skrá, dags / ISAL Checked, date	ISAL Samþykkt, dags / ISAL Approval, date				