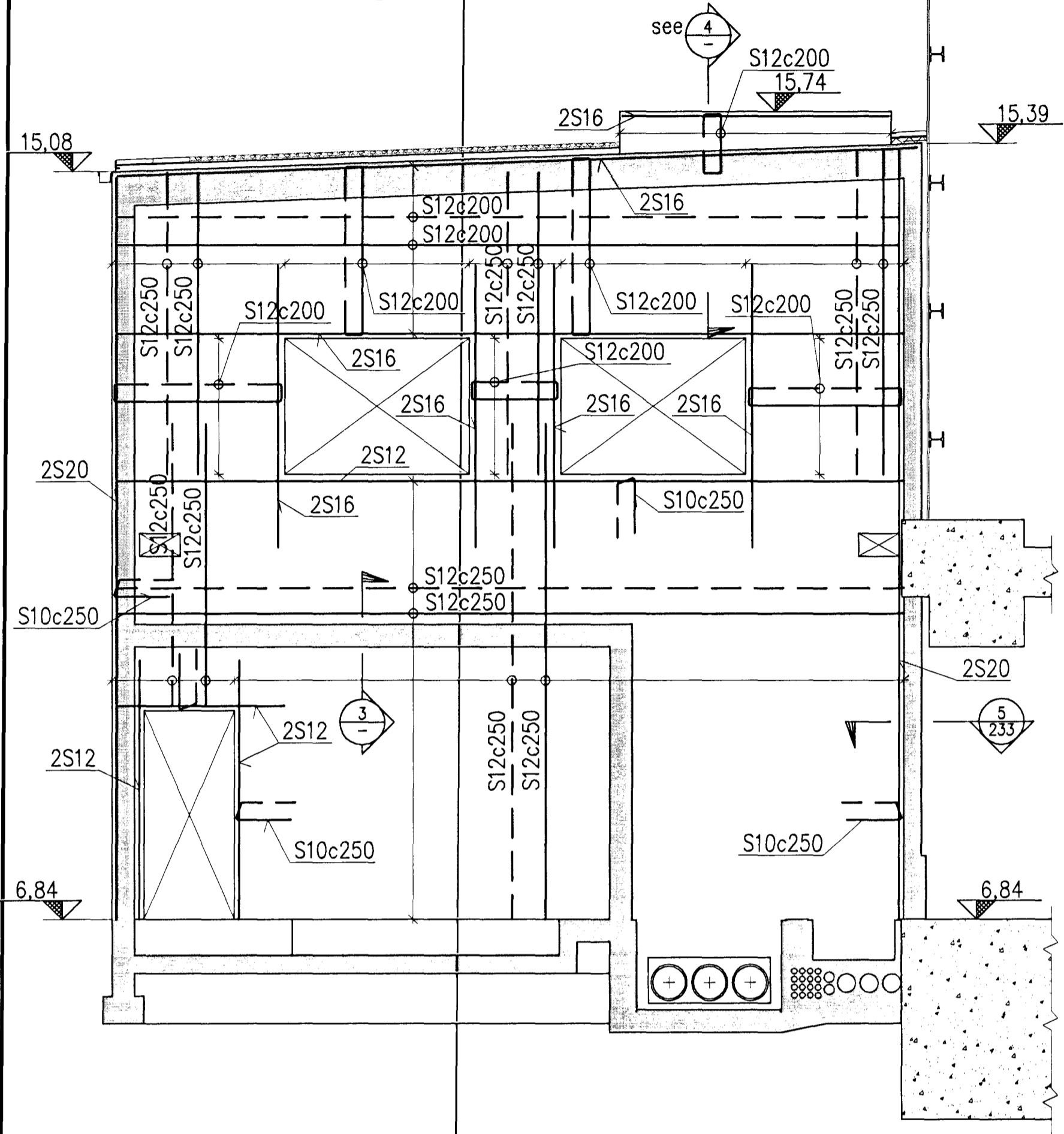


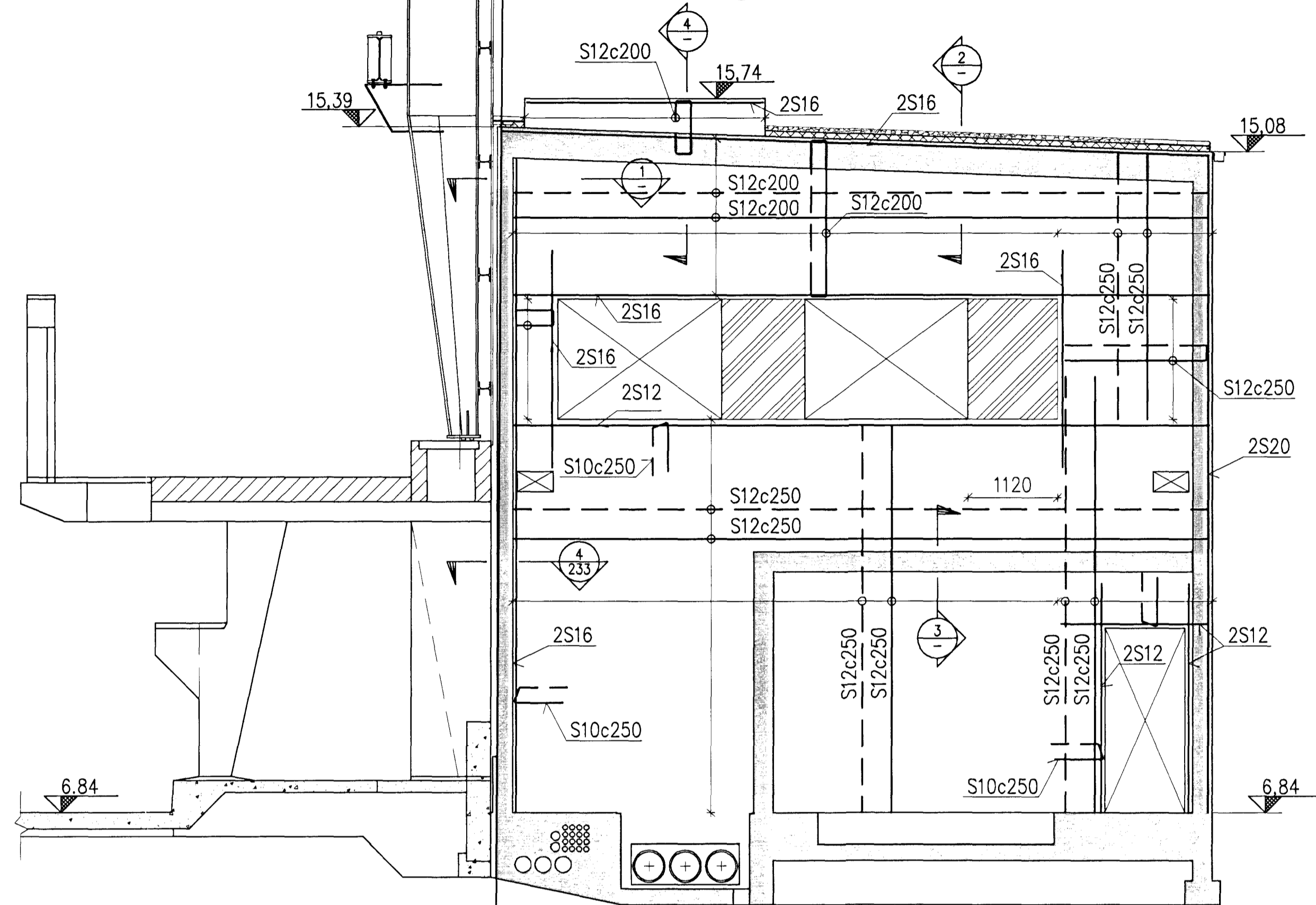
Samþykkt barn
 01 OCT 2012
 Byggingafultrúinn / Hofmann
 Fh. Sigurður Steinar Jónsson

Nick Indriðason
 Kt. 181144-3949
 NI

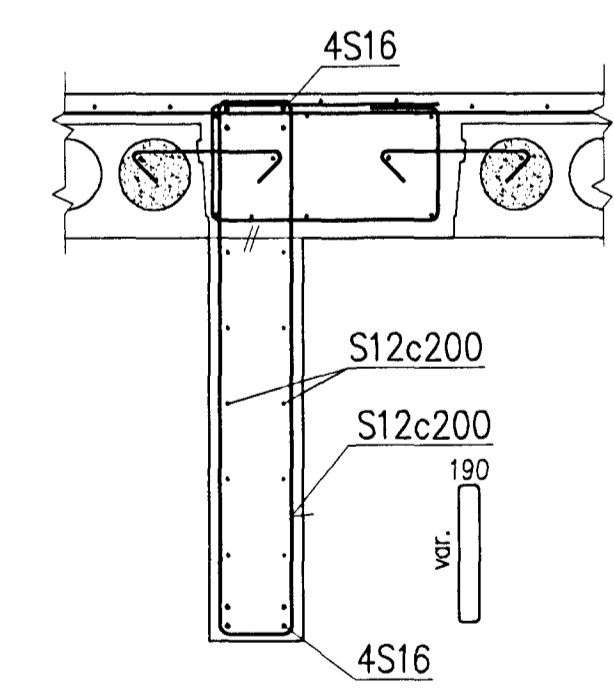
E SECTION, 1:50
 231



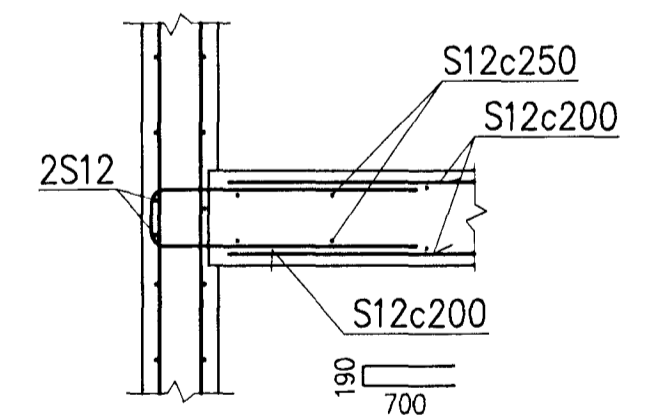
F SECTION, 1:50
 231



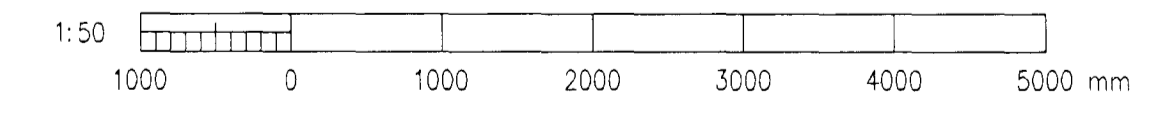
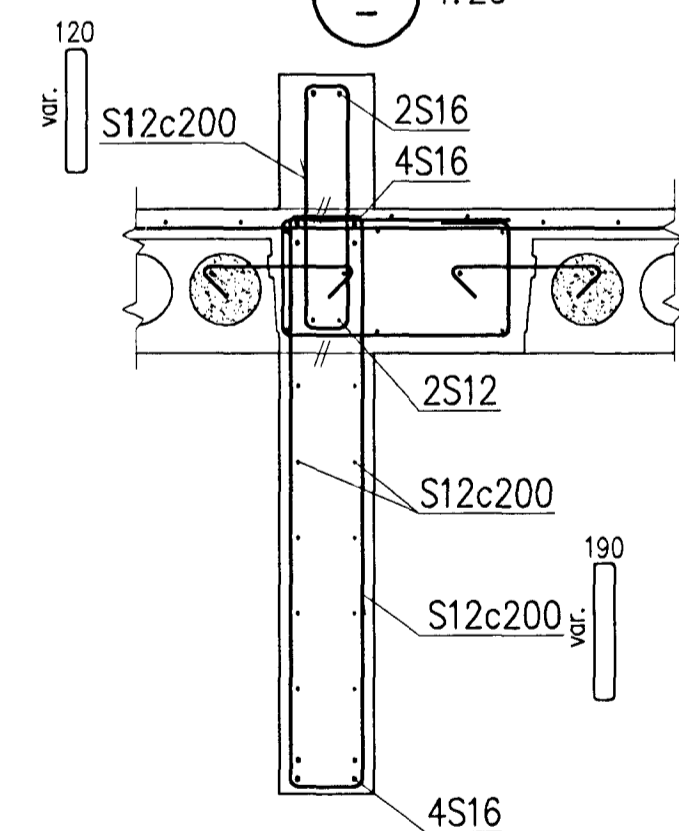
2 1:20



3 1:20



4 1:20



CONCRETE: C30/37:XF3-32

Skýringar:
 Legend



This drawing is the property of Rio Tinto Alcan Iceland Ltd. and handed out for personal use only. It may neither be copied nor made available to others without permission of Rio Tinto Alcan Iceland Ltd. The receiver is liable for any misuse.



Dagsetning / Date 2011.01.18	
Hannað / Designed GMG	Tekni / Drawn GMG
Vertakni / Supplier HRV	
Tilkaunvertakni / Supplier drw.no. IPU-410-CA-015-239	
Sambúikt / Approved NI	Yfir / Chkd NI
Hluti af / Part of:	

IPU 410-RECTIFIER BUILDINGS		
A5/S1		
INTERNAL WALLS SIDE VIEWS AND DETAILS		
Flokkur nr. / Class	Blað nr. / Sheet no.	Næsta blinn. / Next sheet
4011	13981	
Teg. teikningar / Dwg. type: REINFORCEMENT		
AKS UB11		
Tilkaun. ISAL / Drw. no. of ISAL 251255		
Breyt. / Rev. A		

17	Record drawing	2012.09.12	GMG	NI	EG	PER
Útg. nr / Rev. no.	Lýsing / Description	Dagsetning / Date	Höf./Rit. / Des./Dra.	Yfir / Chkd.	Notk. heim. / Suppl. Rel.	Notk. heim. / ISAL. Rel.