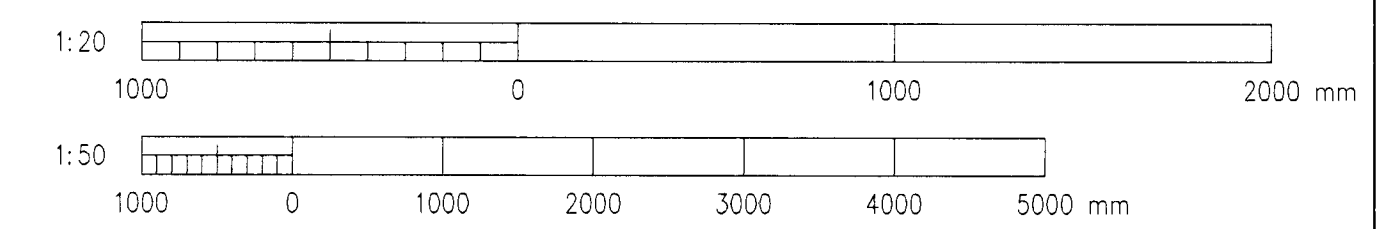
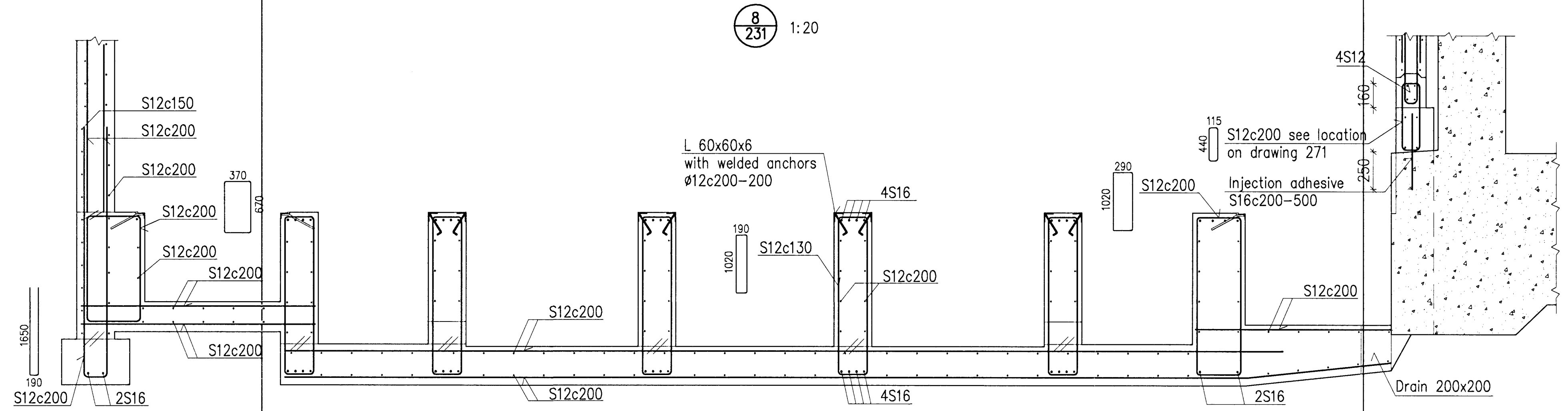
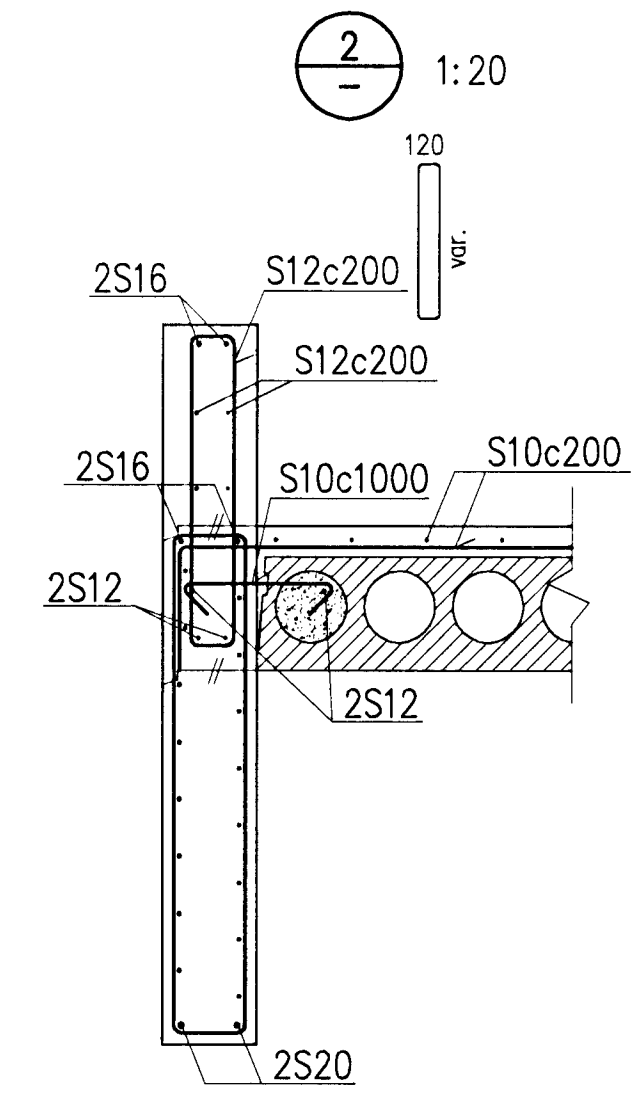
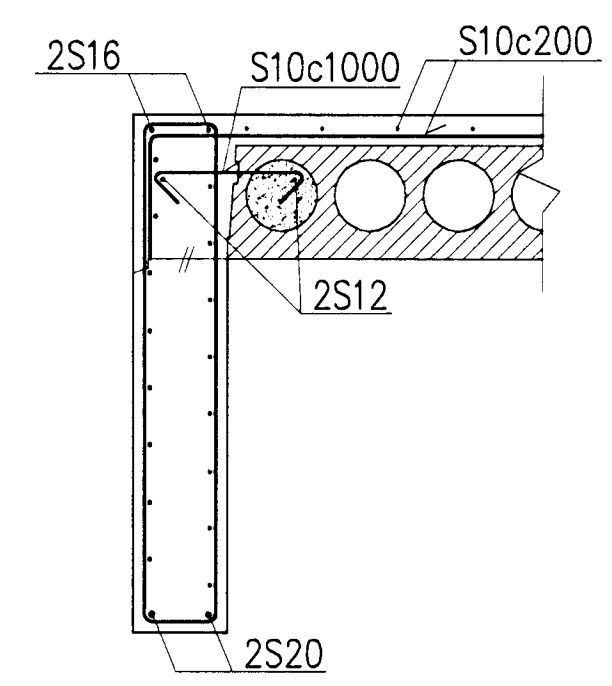
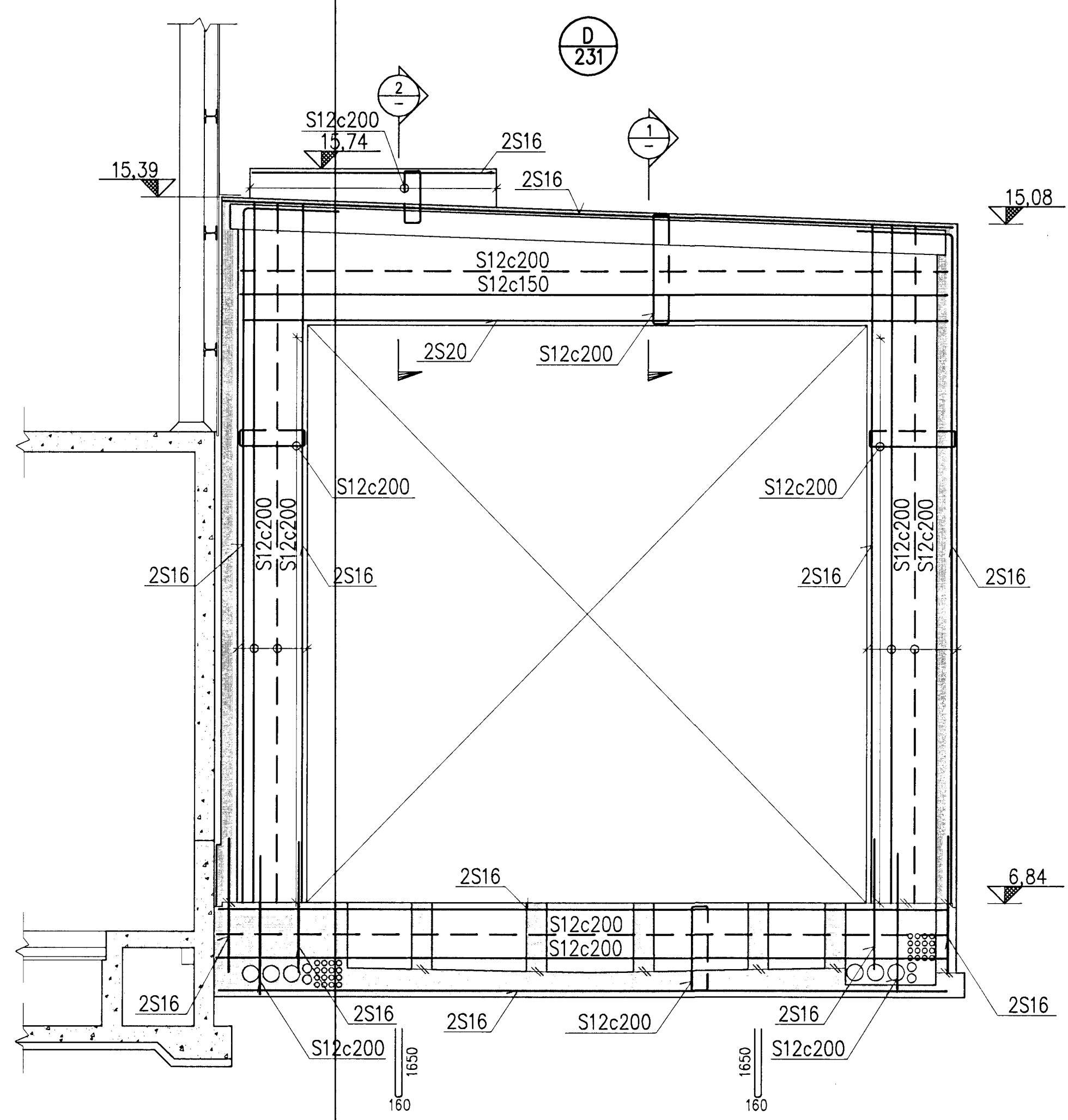
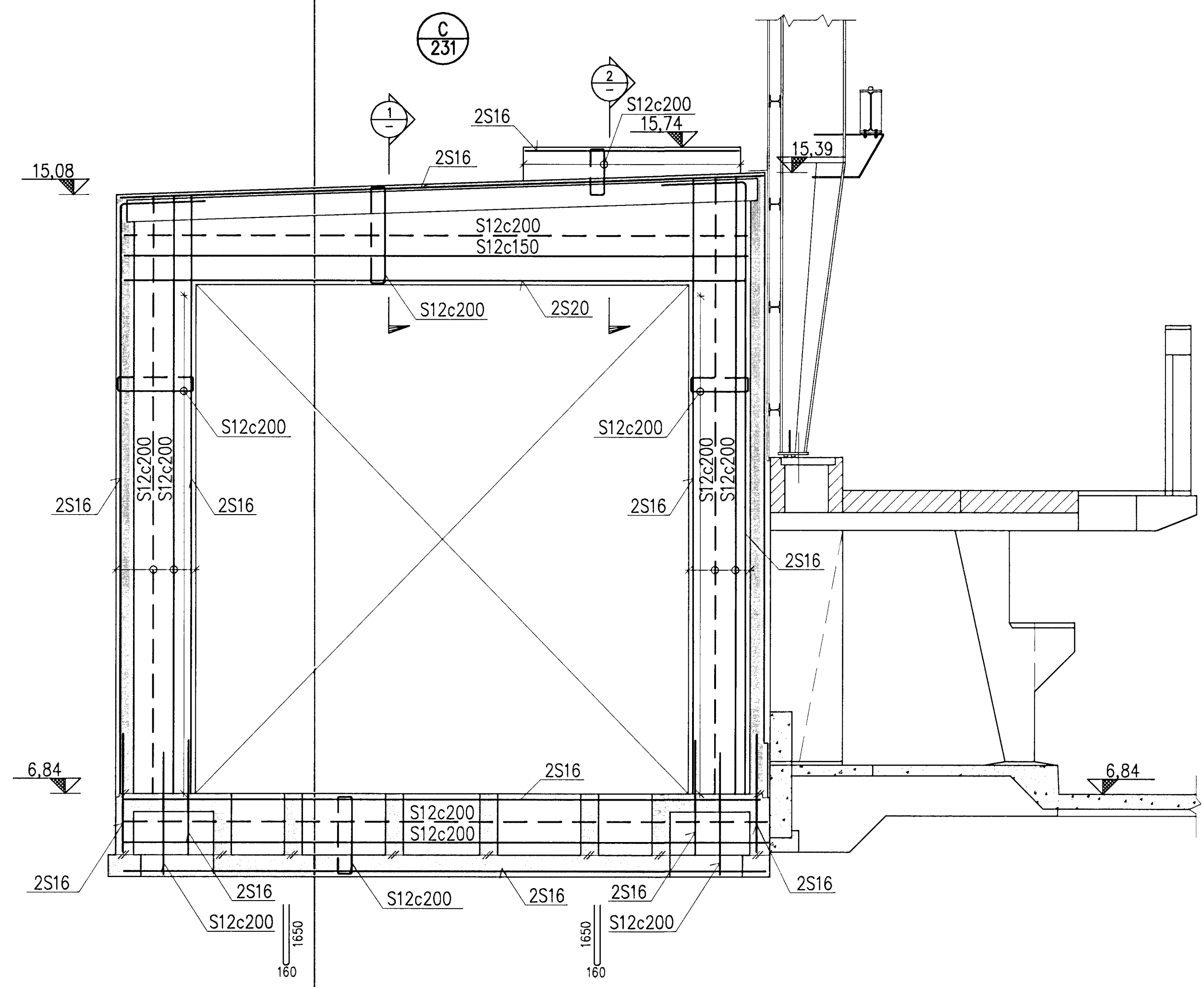


Samþykkt þingi
 01 OCT 2012
 Byggingufulltrúi
 F.H. Sigurður Steinarson

Níels Indriásson
 1:20



Skýringar / Legend:	This drawing is the property of Rio Tinto Alcan Iceland Ltd. and handed out for personal use only. It may neither be copied nor made available to others without permission of Rio Tinto Alcan Iceland Ltd. The receiver is liable for any misuse.												Dagsetning / Date: 2008.10.01 Signað / Designed: HS Tækn / Drawn: LDB		IPU410-RECTIFIER BUILDINGS A5/S1 WALLS SIDE VIEW 3/3		Flokkur nr.: Blað nr.: Nasta bl.:		
	Stafr.: A1 Mkv.: 1:20, 1:50 Form.: Dimensions without tolerances according to ISO 2768-1 medium.												Tæknirverktaka / Supplier drwno.: IDP-410-CA-015-235 Samþykkt / Approved: NI Hluti af: / Part of:		Tæknirverktaka / Supplier drwno.: ISAL Alcan Iceland Ltd Straumsvík IS-222 Hafnarfordur Ísland		Tæknir. ISAL / Drwno. of ISAL: 251251 Breyt./Rev.: A		
17	Record drawing	2012.09.12	HS	NI	BS	MS													