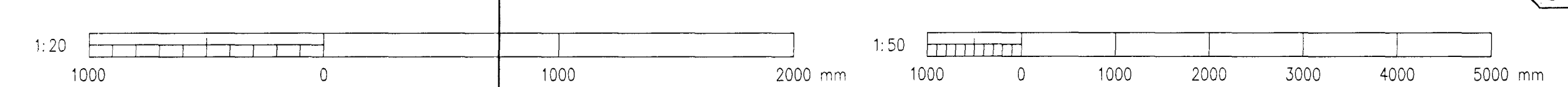
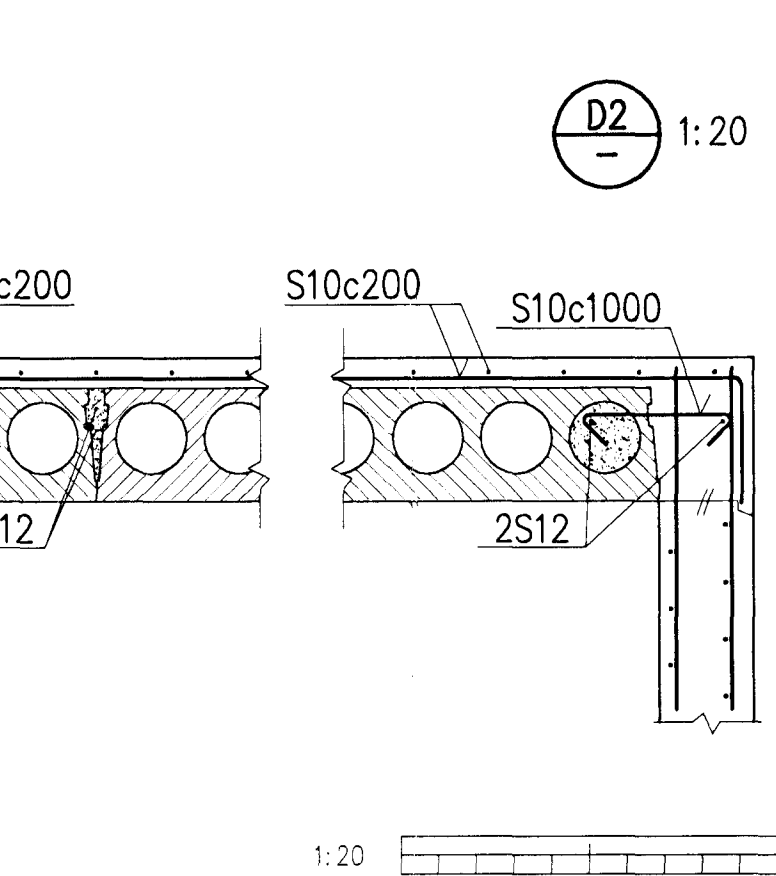
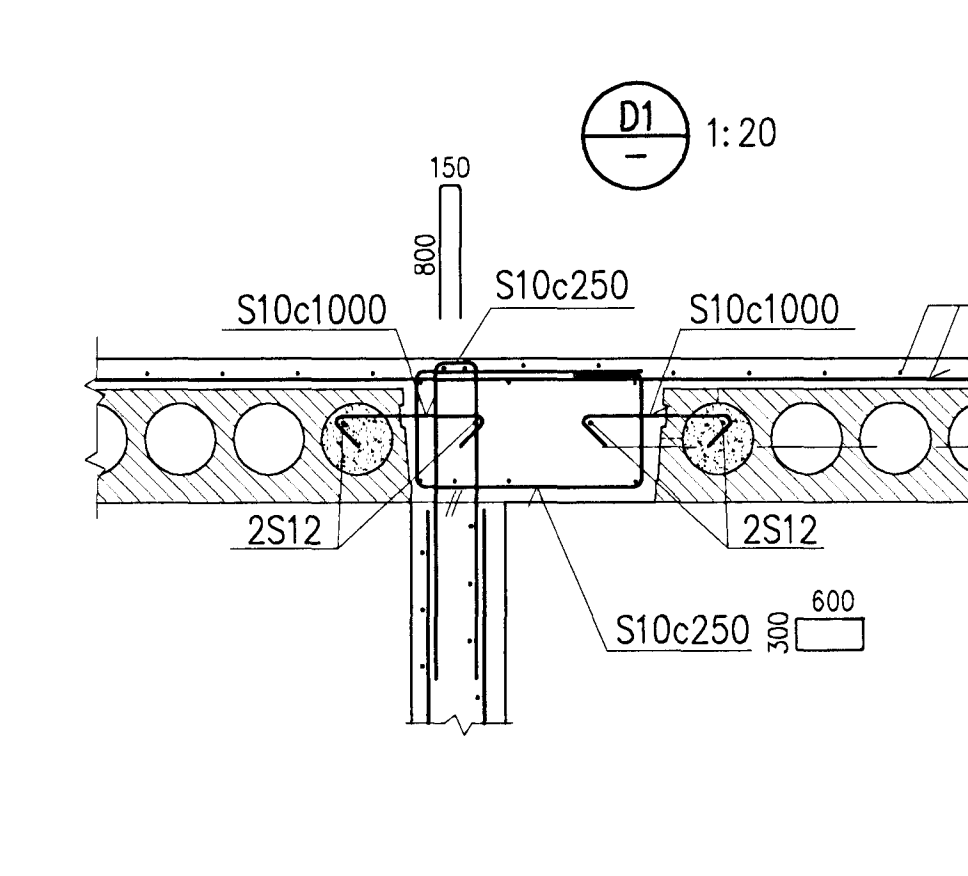
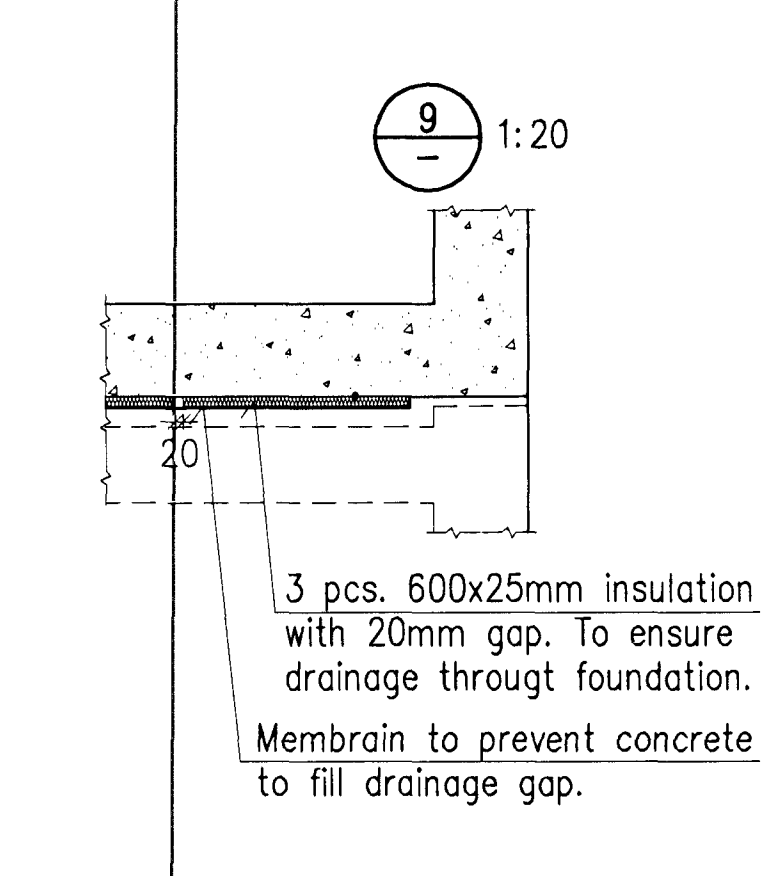
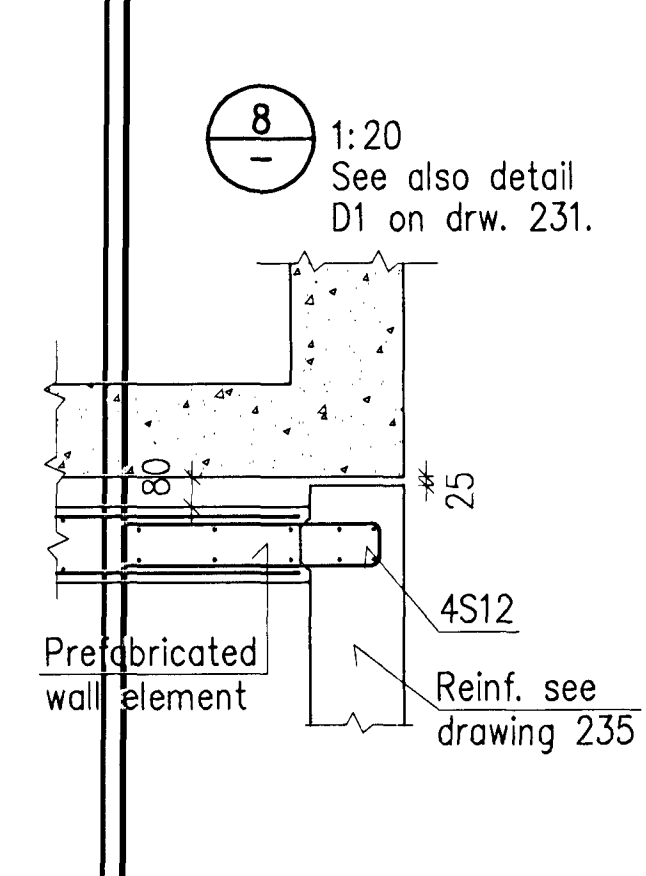
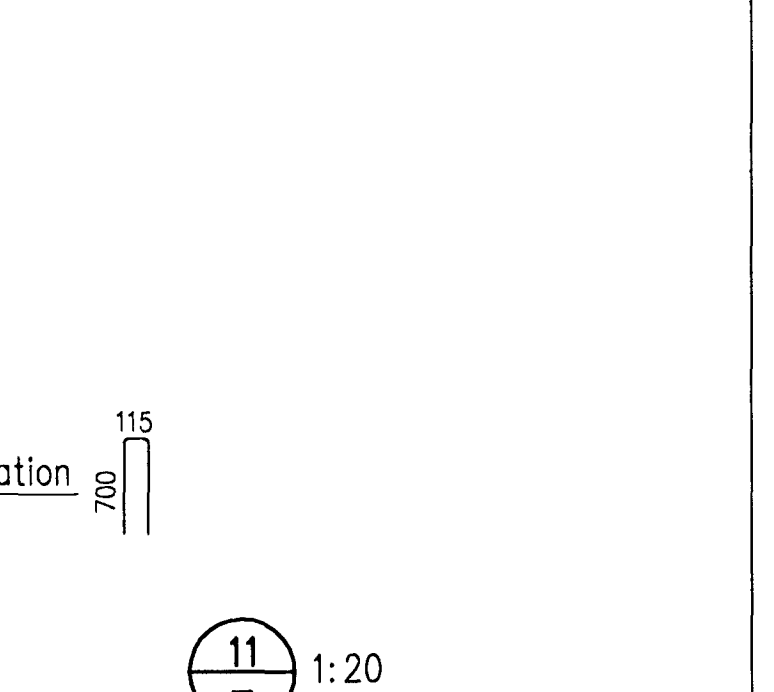
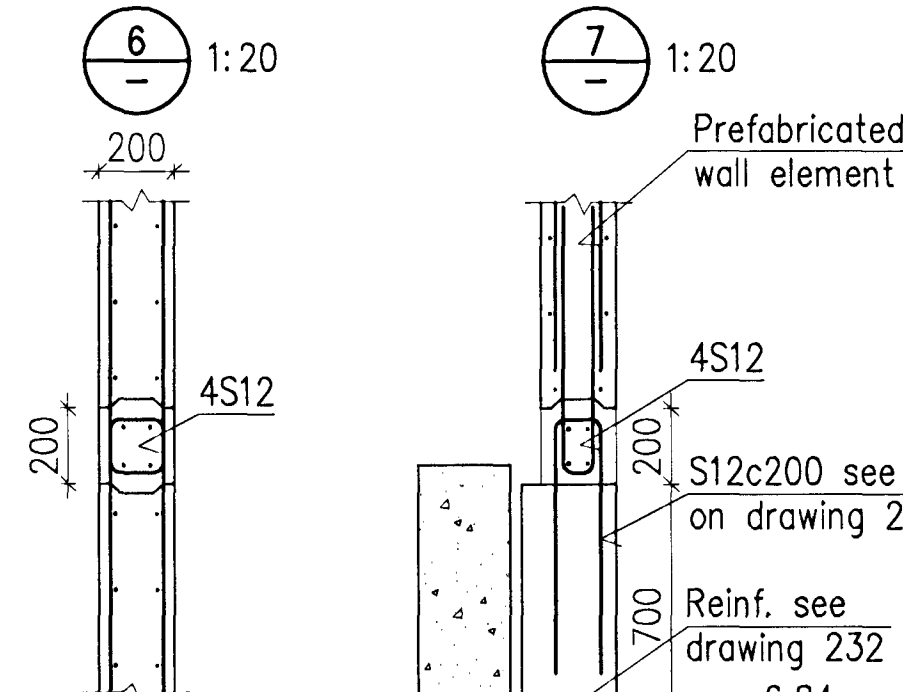
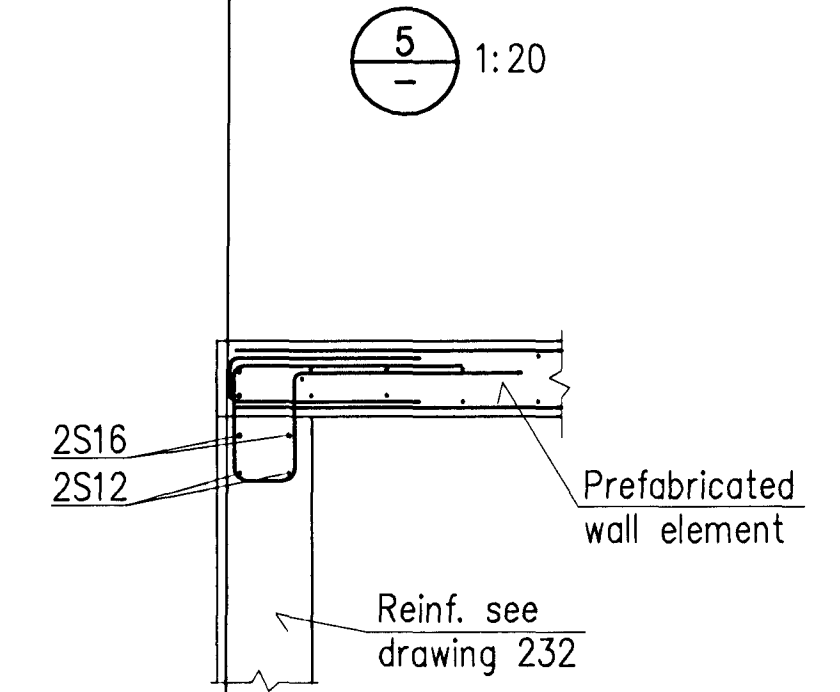
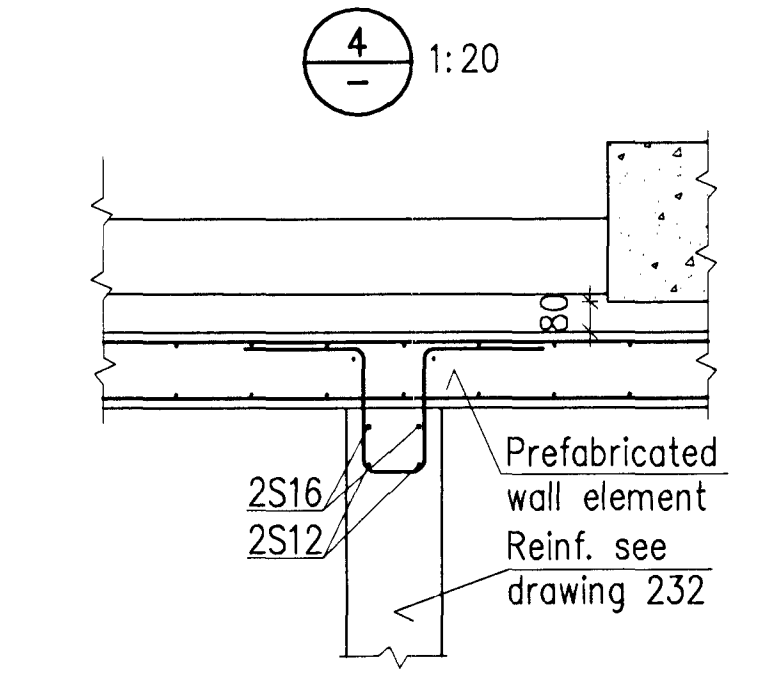
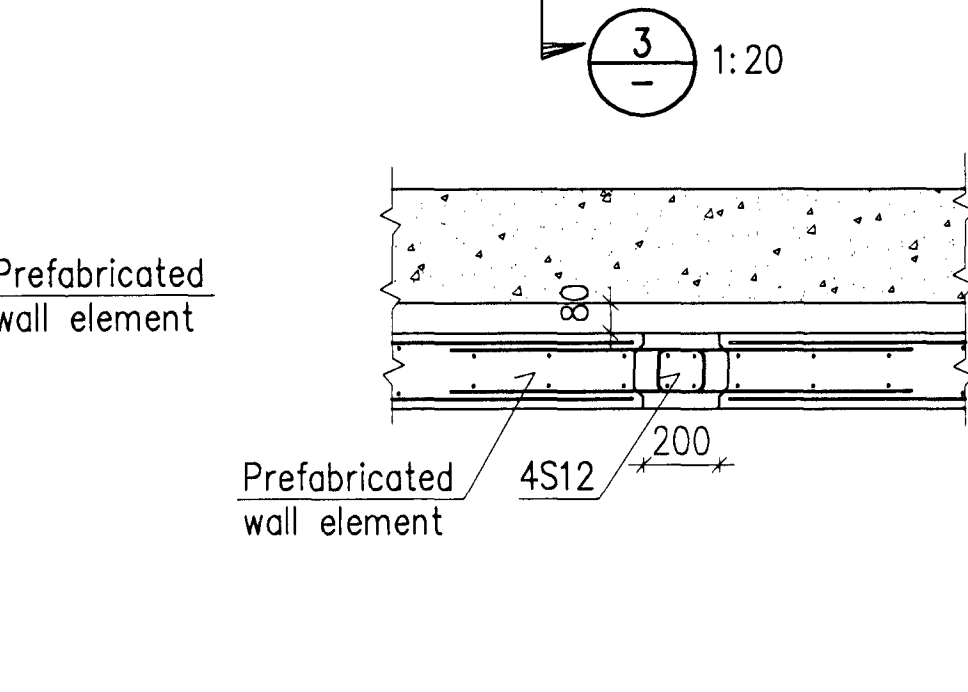
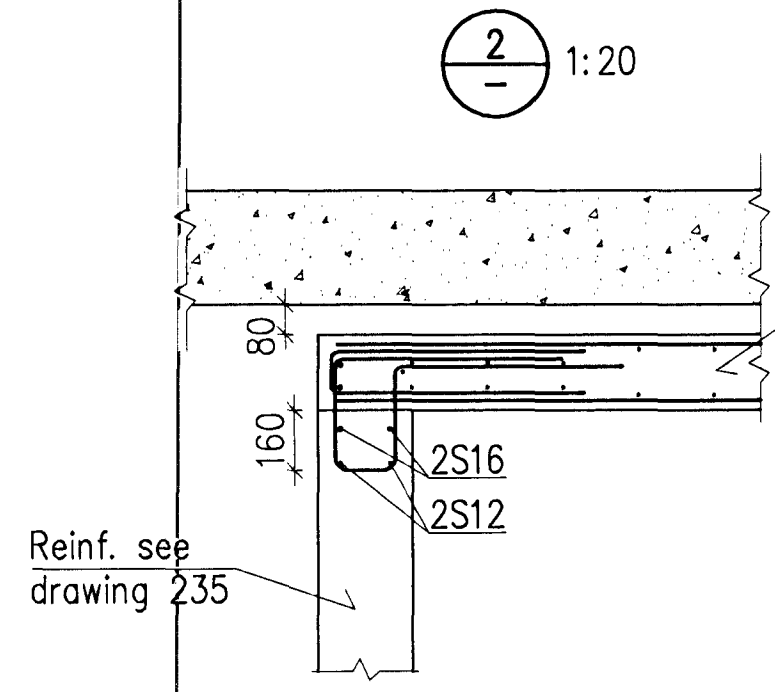
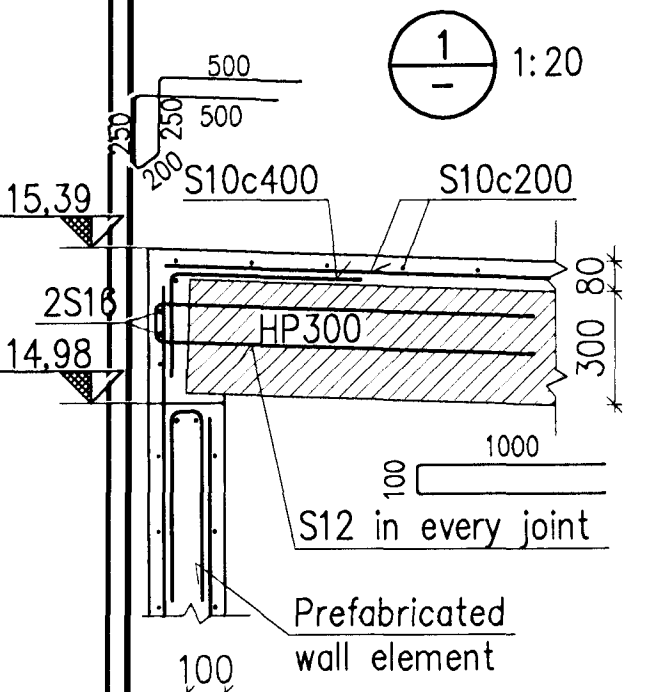
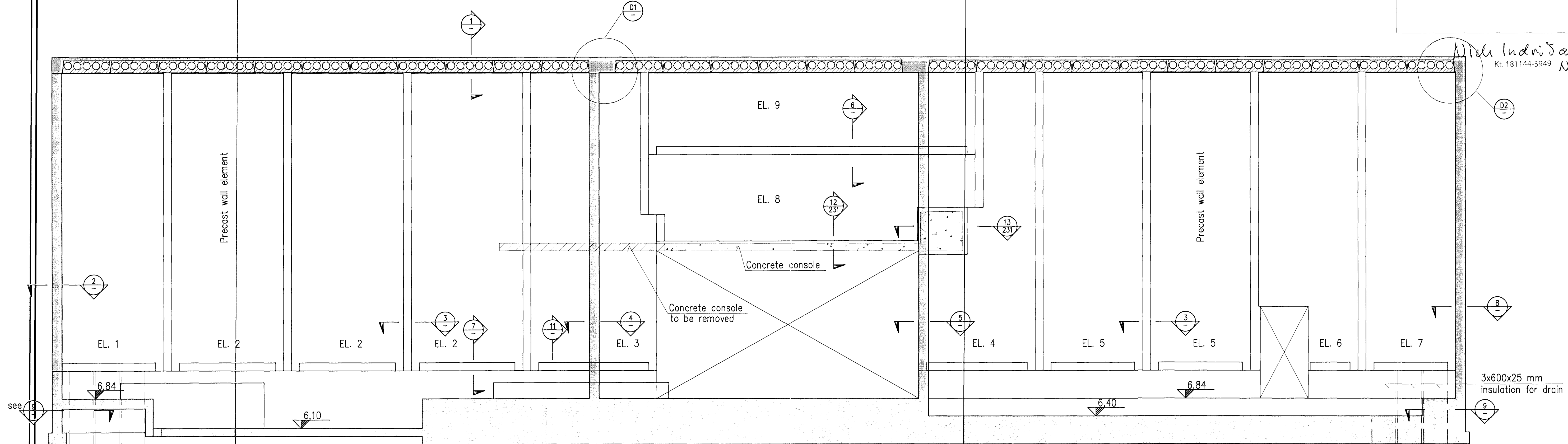


Samþykkt þann
 01 OCT 2012
 Byggingafráttáknir í Hafnarvík
 F.h. Sigurður Steinar Jónsson

Níðri Indriðsson
 Kt. 181144-3949

A
 231 1:50



Skýringar:
 Legend

Precast wall elements see drawings 271-275.
 Location of stirrups connecting precast element are shown on drawing 271.

Útg. nr. Rev. no.	Lýsing Description	Dagsetning Date	Har/Þun Des/Drw	Yfir Dkt	Notk heim Suppl Rel	Notk heim ISAL Rel
18	Record drawing	2012.09.12	HS	NI		

This drawing is the property of Rio Tinto Alcan Iceland Ltd. and handed out for personal use only. It may neither be copied nor made available to others without permission of Rio Tinto Alcan Iceland Ltd. The receiver is liable for any misuse.

Stærð: A1 Skv.: 1:20, 1:50
 Format: A1 Scale: 1:20, 1:50
 Dimensions without tolerances according to ISO 2768-M1 medium.

Dagsetning / Date: 2008.10.01
 Hönnuð / Designed: HS
 Tækn / Drawn: LDB
 Verktaki / Supplier: HRV
 Tækn.nr.verktaka / Supplier draw.no: IDP-410-CA-015-233
 Samþykkt / Approved: NI
 Hluti af: / Part of:

IPU410-RECTIFIER BUILDINGS
 A5/S1
 WALLS SIDE VIEW 1/3, DETAILS & SECTION
 REINFORCEMENT

Flokkur nr.: Blað nr.: Næsta bl. nr.:
 4011 13981

AKS
 UB11

RioTinto Alcan
 ISAL
 Alcan Iceland Ltd
 Staunarsvæði
 IS-222 Hafnarforðar
 Ísland

Tækn.nr. ISAL / Dr.no. of ISAL: 251249
 Breyt./Rev.: A

ISAL Yfirbú og skráð, dags / ISAL Checked, date
 ISAL Samþykkt, dags / ISAL Approval, date