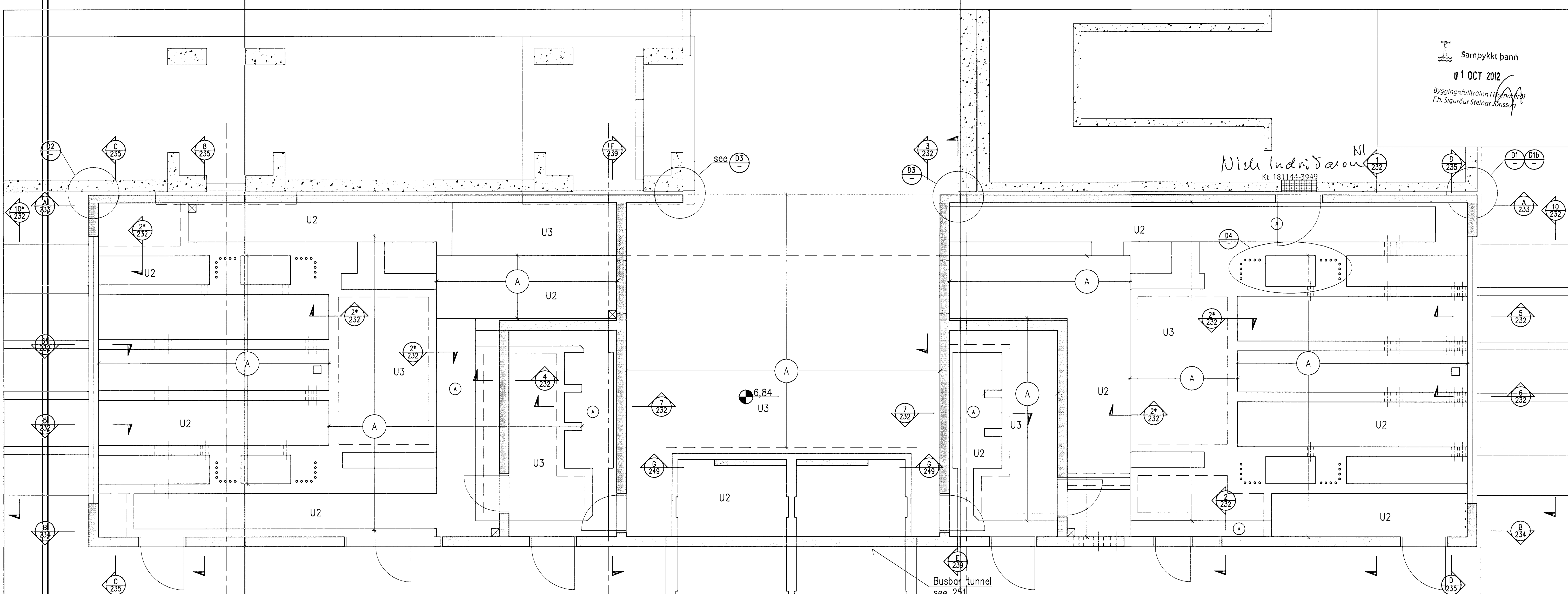
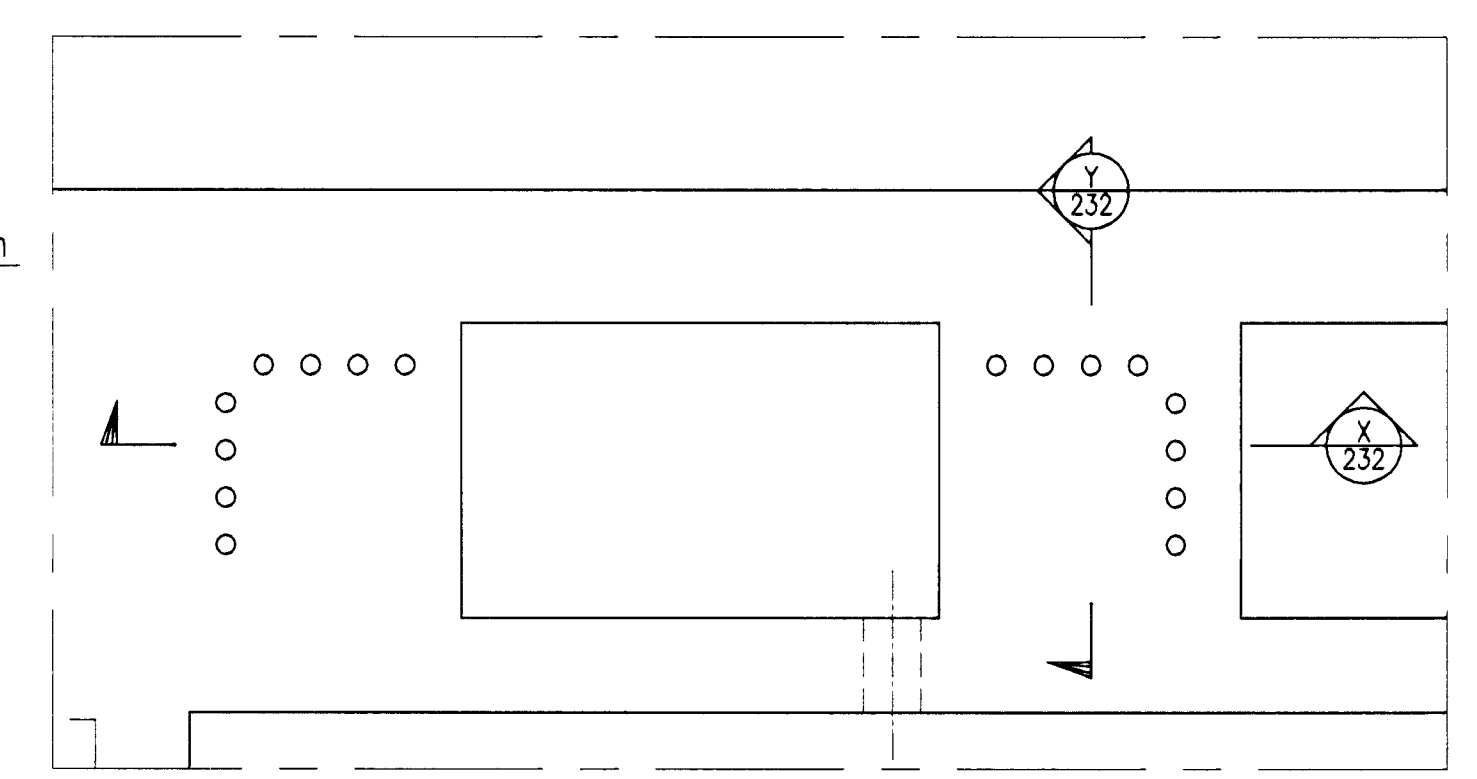
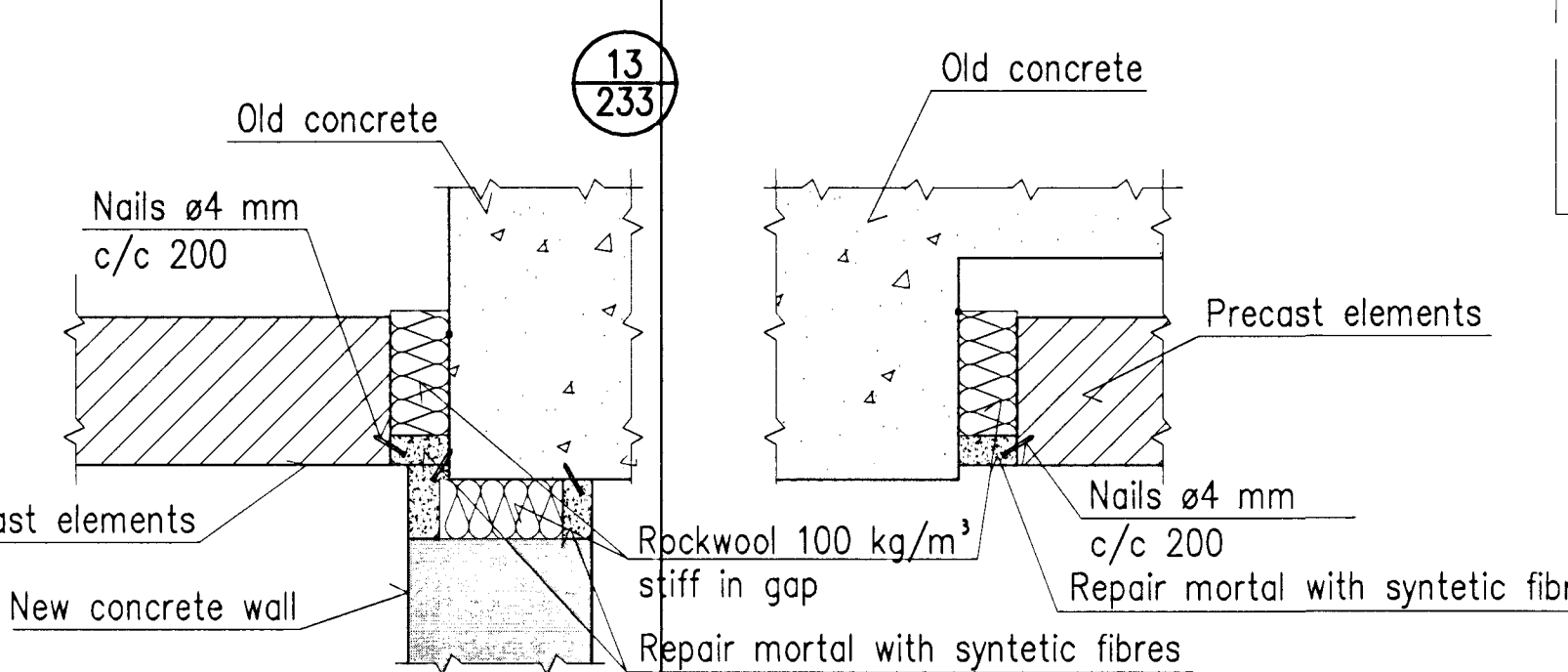
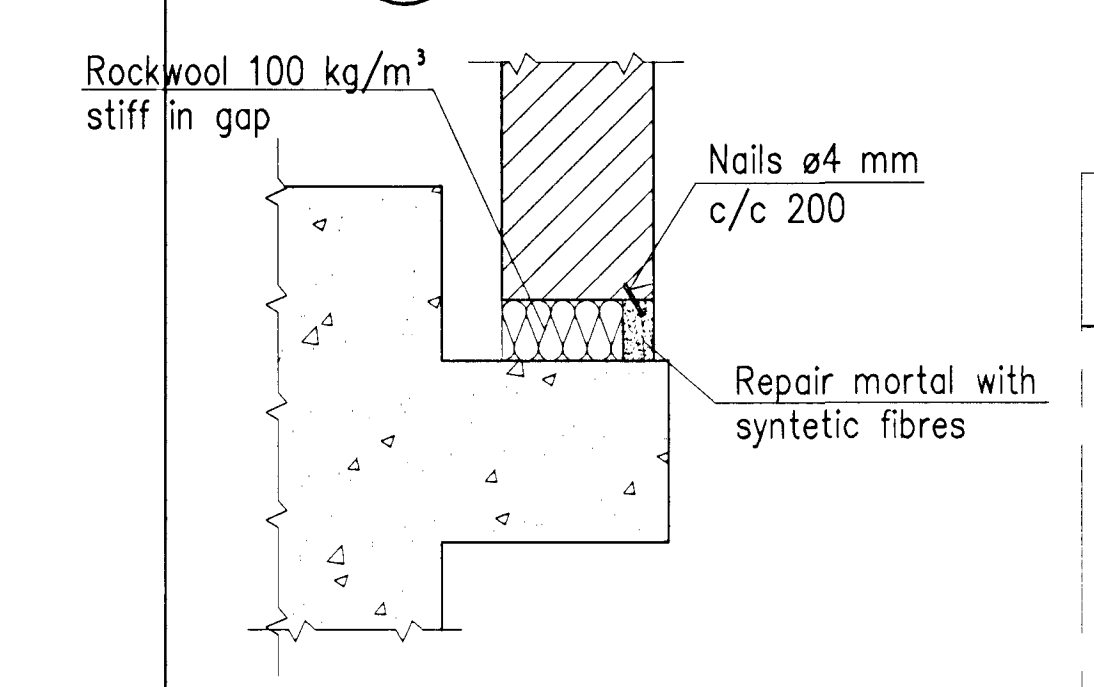
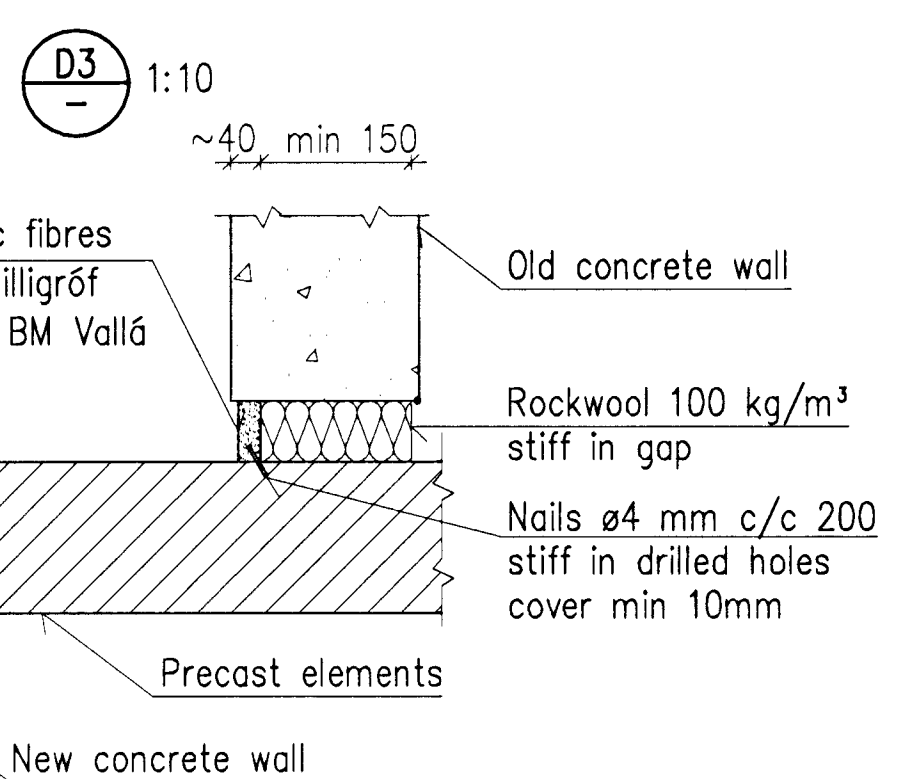
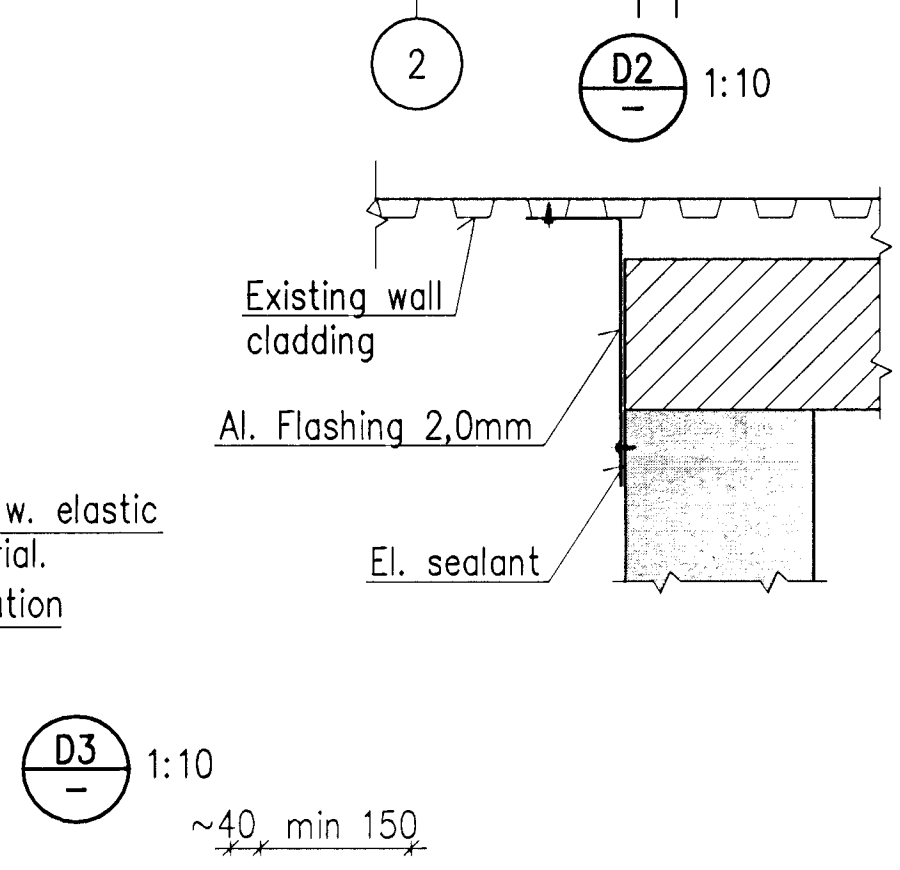
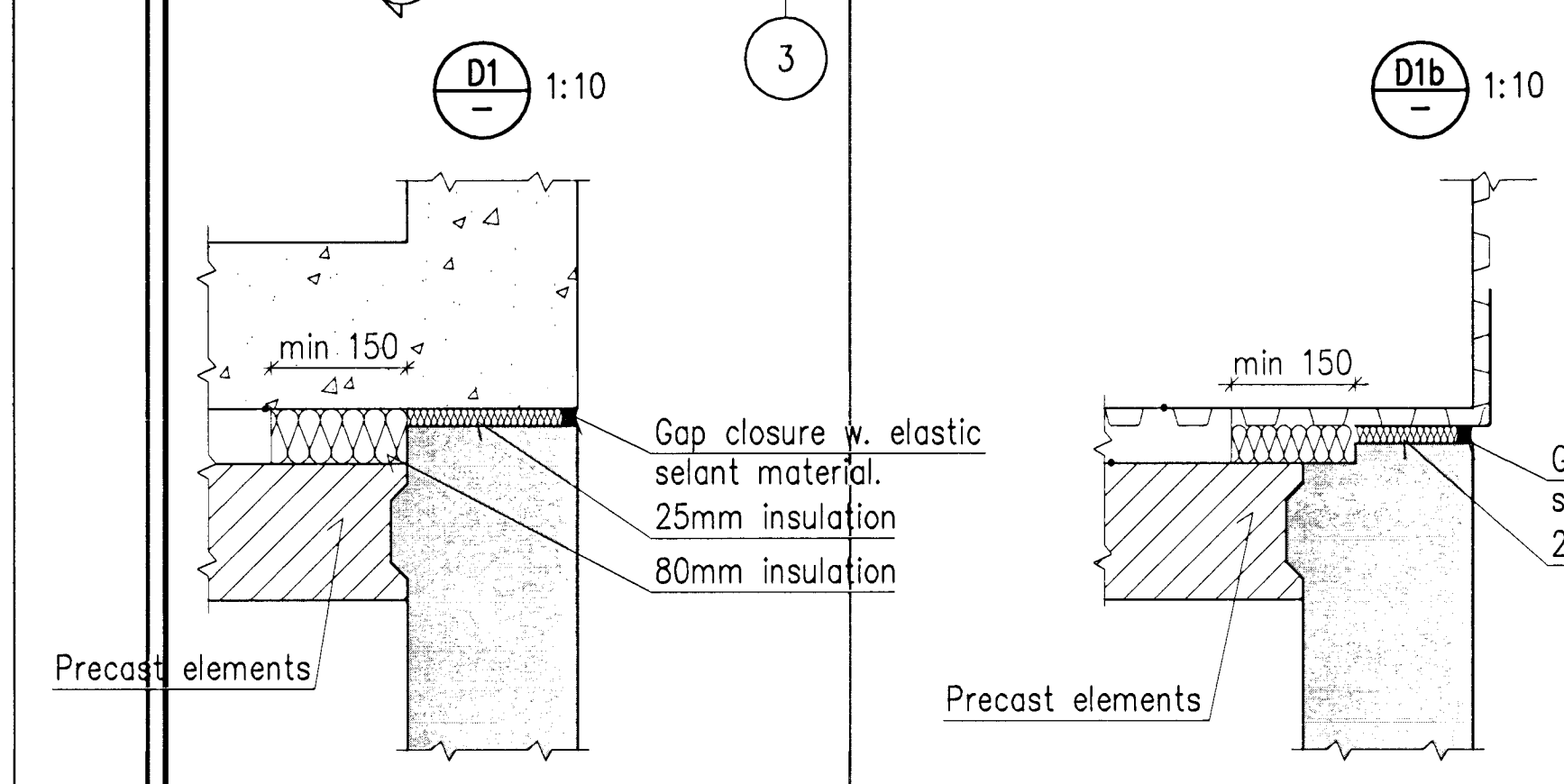


Samþykkt þann
 01 OCT 2012
 Byggingafulltrúinn / Hafið
 F.h. Sigurður Steinar Jónsson

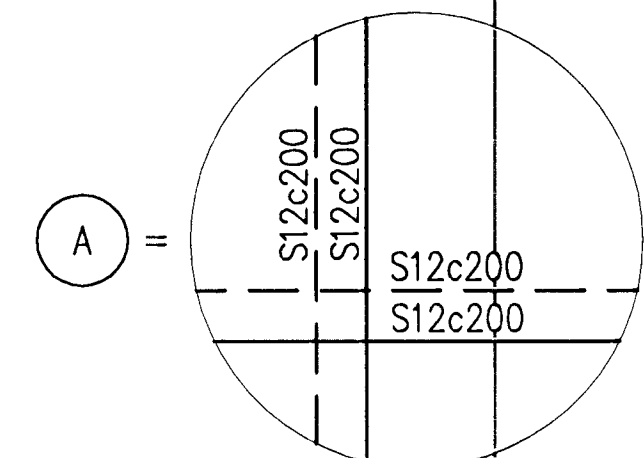
Níels Indriðason NI
 Kt. 181144-3949



PLAN VIEW 1:50



NOTES



CONCRETE: C30/37:XF3-32

Reinforcement in sections marked * shall be the same as in referenced sections (E.Y. section 2* as 2) but dimensions may be different.

Skýringar Legend: CONCRETE: C30/37:XF3-32 Reinforcement in sections marked * shall be the same as in referenced sections (E.Y. section 2* as 2) but dimensions may be different.	This drawing is the property of Rio Tinto Alcan Iceland Ltd and handed out for personal use only. It may neither be copied nor made available to others without permission of Rio Tinto Alcan Iceland Ltd. The receiver is liable for any misuse.		Scale: 1:10/20/50 Dimensions without tolerances according to ISO 2788-1 medium.		Dagssetning / Date: 2008.10.01 Hannab / Designed: HS Tökn / Drawn: LDB Verktaki / Supplier: HRV Tökn.nr.verktaka / Supplier drwno.: IDP-410-CA-015-231 Samþykkt / Approved: NI Hluti af: / Part of:		IPU410-RECTIFIER BUILDINGS A5/S1 PLAN VIEW Tag,teknningar / Dwg. type: REINFORCEMENT RioTintoAlcan ISAL Yfirbú og skróð, dags / ISAL Checked, date: ISAL Sambýkt, dags / ISAL Approval, date		Flokkur nr.: Blað nr.: Nasta blnr.: 4011 13981 Kostn.nr.-Gæno. / Blnr.-Eqno: AKS UB11 Tökn.nr. ISAL / Drwno. of ISAL Breyt./Rev.: 251247 A	
	19 Record drawing Dagssetning Date: 2012.09.12 Hor./Tm Des./Dw: HS Yfir/Ök: NI Notk heim Suppl Rel: NI Notk heim ISAL Rel:	HRV HATCH ISAL PRODUCTION OPERATOR		ISAL Alcan Iceland Ltd Straumavík IS-222 Hafnarfjörður Ísland		ISAL Yfirbú og skróð, dags / ISAL Checked, date: ISAL Sambýkt, dags / ISAL Approval, date		ISAL Yfirbú og skróð, dags / ISAL Checked, date: ISAL Sambýkt, dags / ISAL Approval, date		ISAL Yfirbú og skróð, dags / ISAL Checked, date: ISAL Sambýkt, dags / ISAL Approval, date