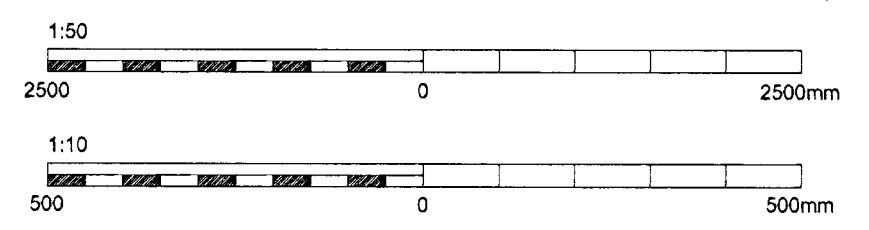
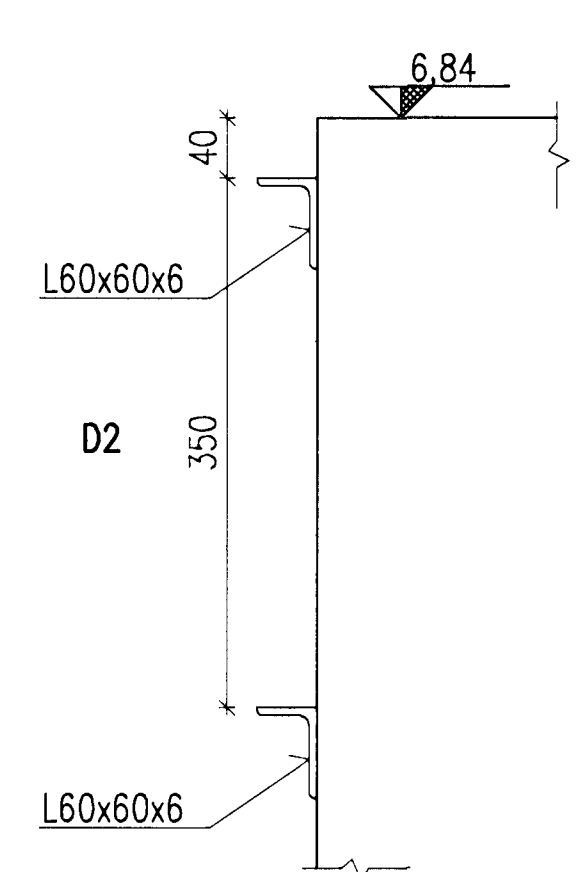
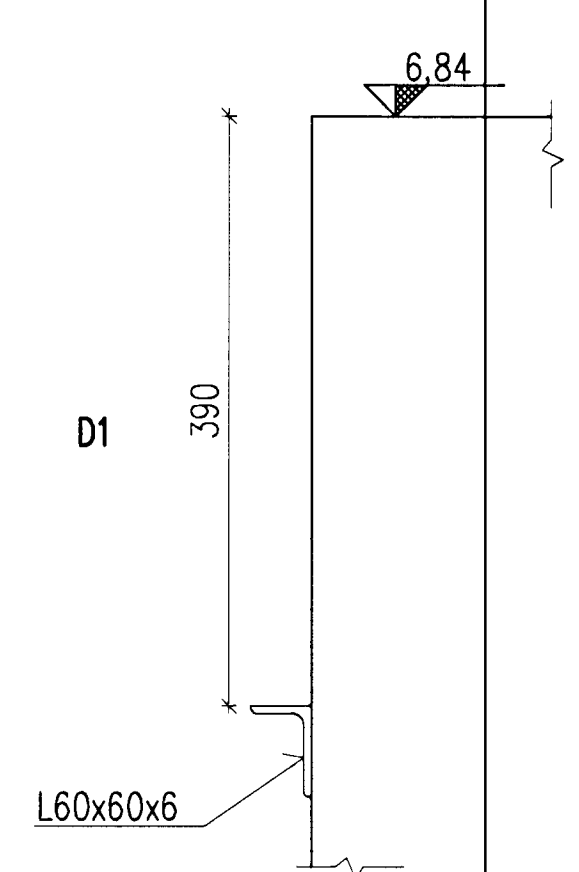
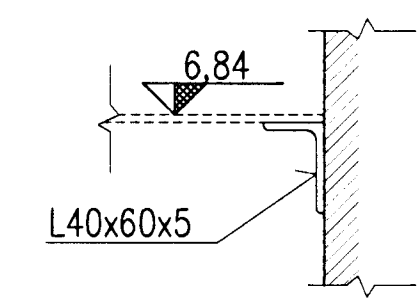
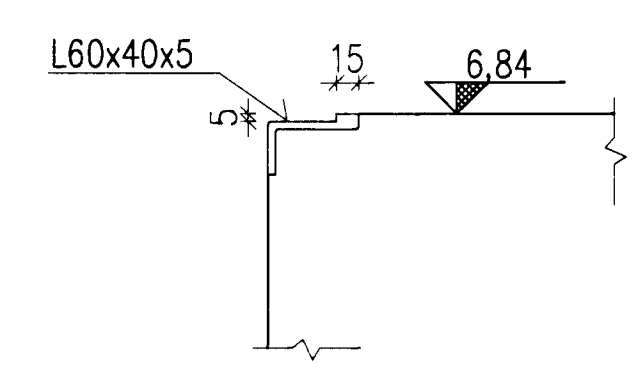
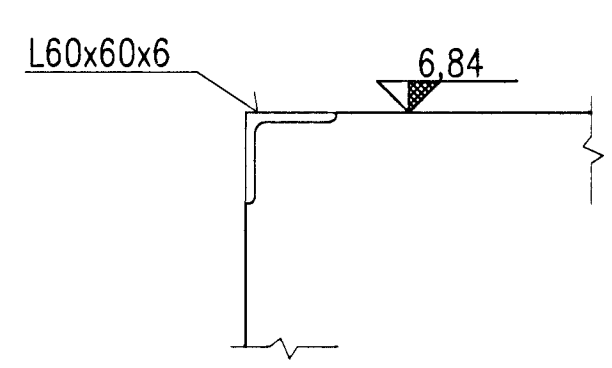
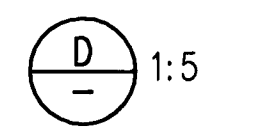
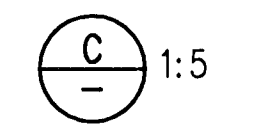
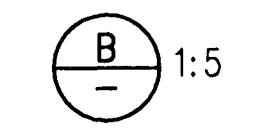
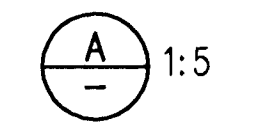


PLAN VIEW 1:50



Skýringar Legend:

	Conduits
--	----------

Glg nr	Rev no	Lýsing	Útgáfa	Skilgreining
2		Record drawing	2012.09.12	GMG

Stofn	Formi	Mkv.	Skala
A1			1:50/1:10

Dimensions without tolerances according to ISO 2768-1 medium.

This drawing is the property of Rio Tinto Alcan Iceland Ltd. and handed out for personal use only. It may neither be copied nor made available to others without permission of Rio Tinto Alcan Iceland Ltd. The receiver is liable for any misuse.

Dagsetning / Date: 2011.06.09
 Hinn / Designed: GMG
 Tækn / Drawn: ÁFV
 Verktaki / Supplier: HRV
 Tækn. nr. verktaka / Supplier drw. no.: IDP-410-CA-015-223
 Samþykkt / Approved: NI
 Hlut af / Part of: NI

IPU410-RECTIFIER BUILDINGS
 A5/S1
 BOTTOM SLAB - EMBEDDED ANGLES
 FORM WORK

RioTintoAlcan

Flakkur nr.: 4011
 Blöð nr.: 13981
 Næsta blinn.:
 Kostn.nr.-Cena. / Bgn.nr.-Eg.no.:
 AKS UB11
 Tækn.nr. ISAL / Drw.no. of ISAL: 251239
 Breyt./Rev.: A

ISAL Yfirforð og skráð, dags. / ISAL Checked, date
 ISAL Samþykkt, dags. / ISAL Approval, date