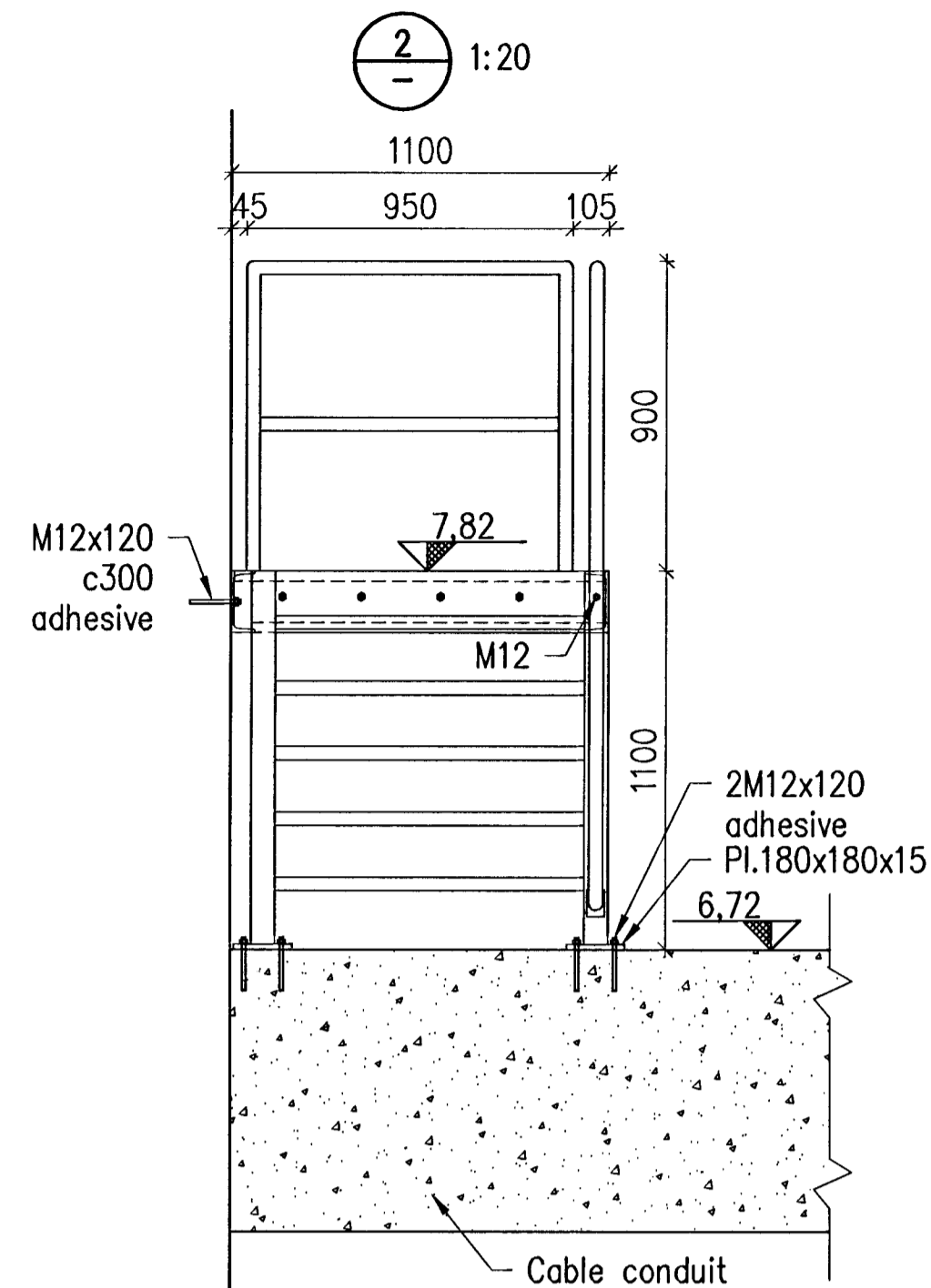
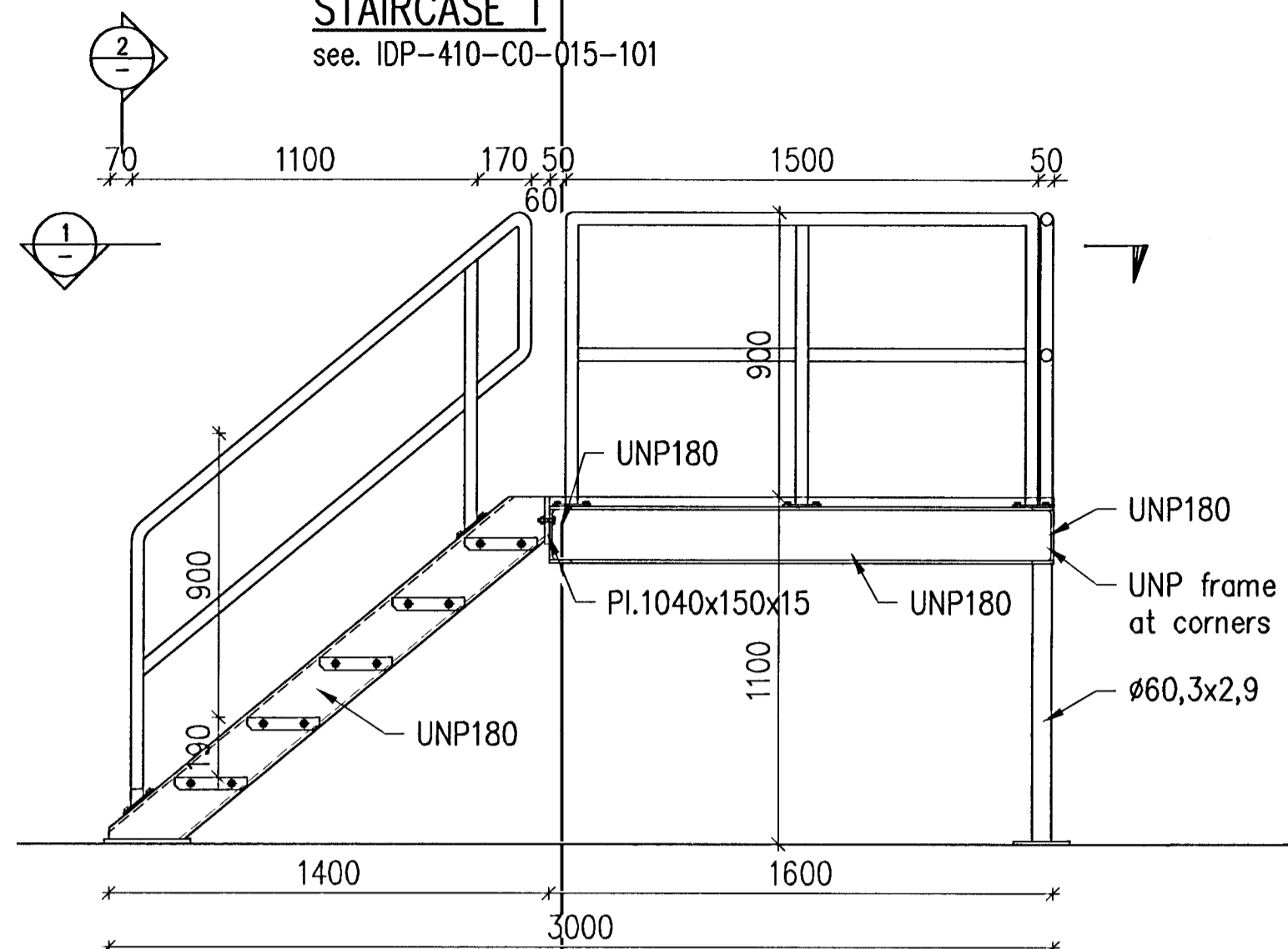


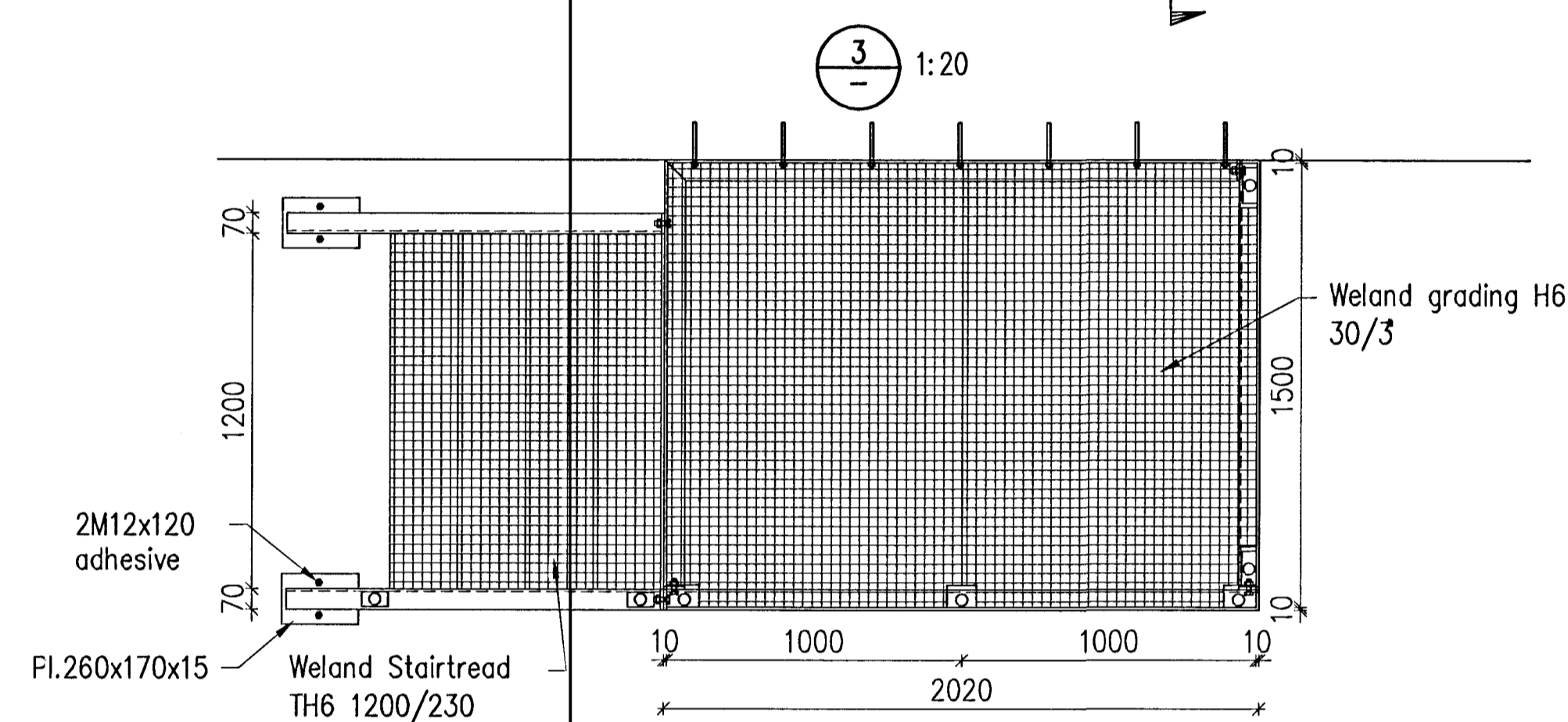
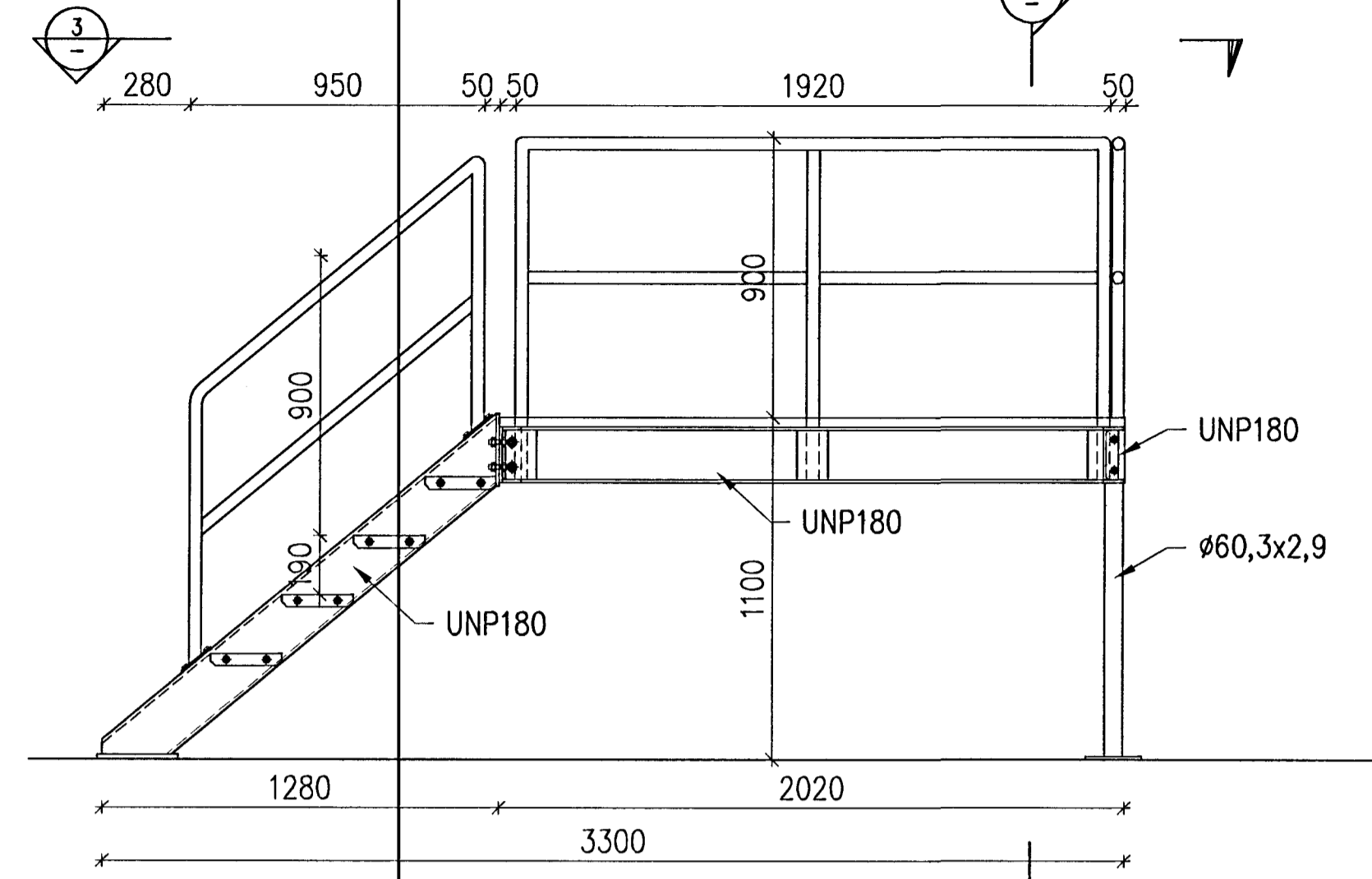
STAIRCASE 1

see. IDP-410-CO-015-101



STAIRCASE 2

see. IDP-410-CO-015-101



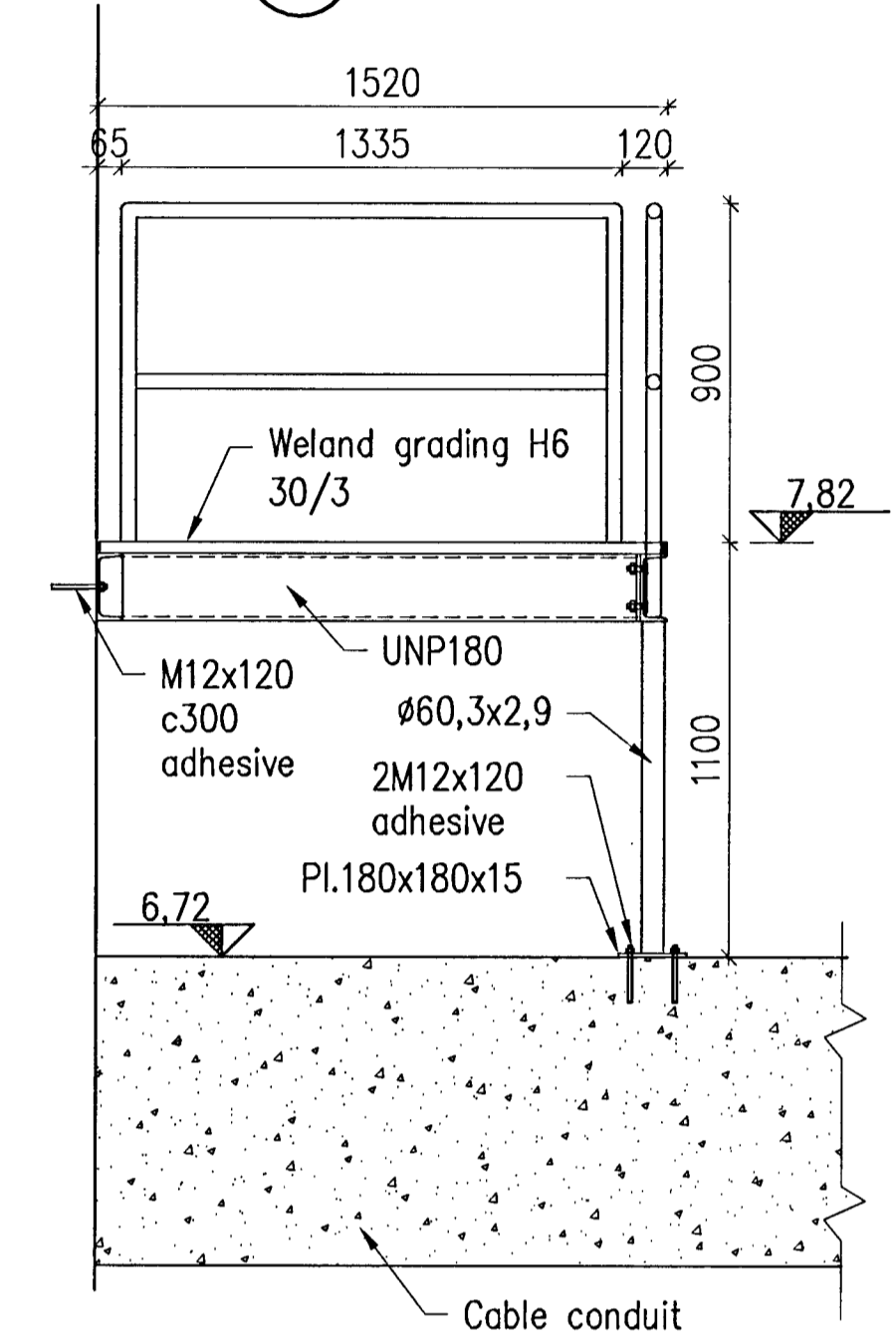
Sambýkkt bann

01 OCT 2012

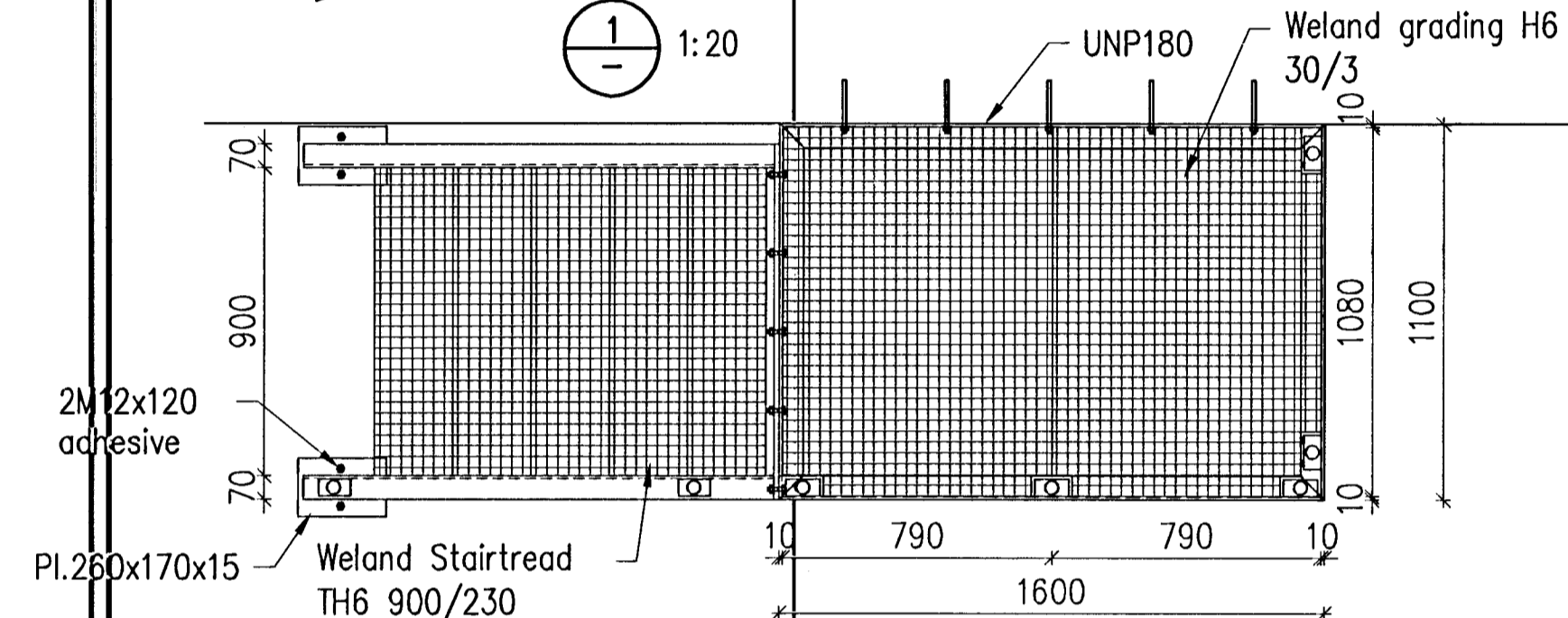
Byggingafulltrúinn / Hafnarfróð
Fh. Sigurður Steinar Jónsson

Níels Indriðason
Kr. 181144-3949

Section 4: 1:20

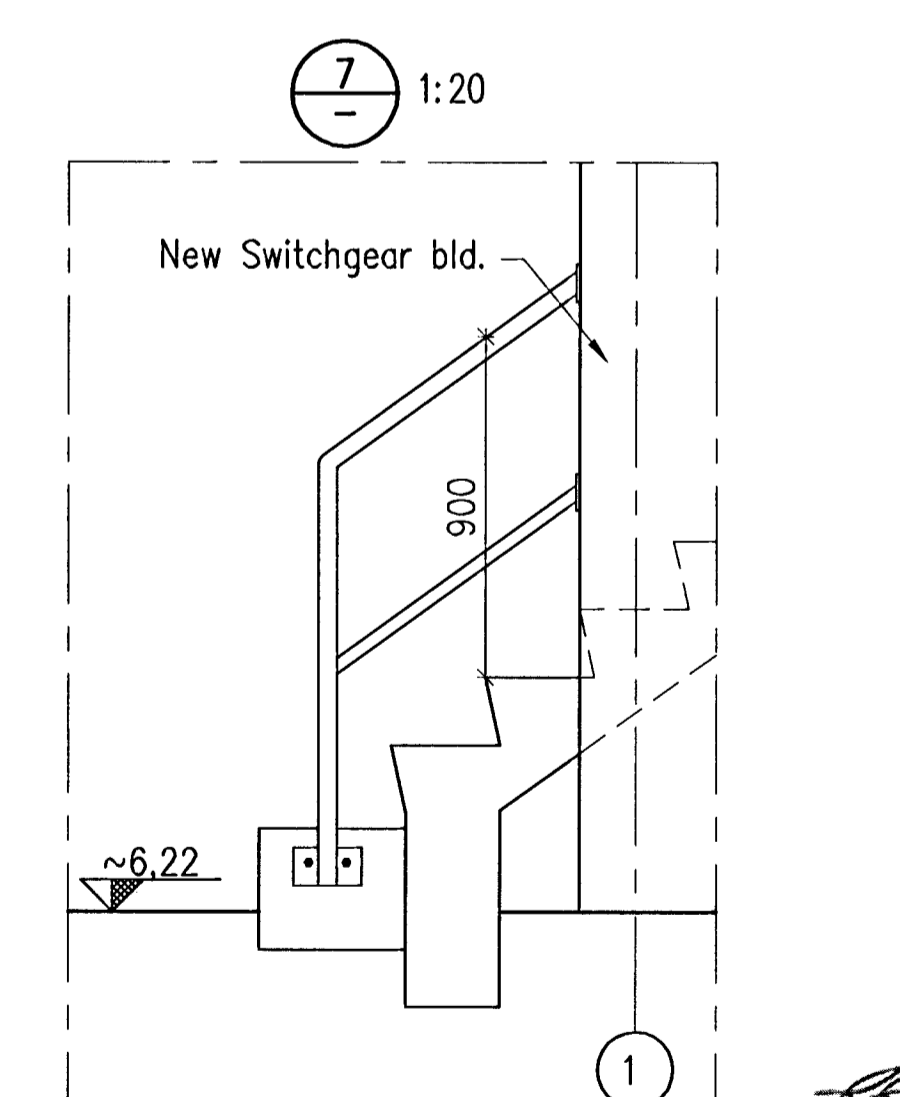
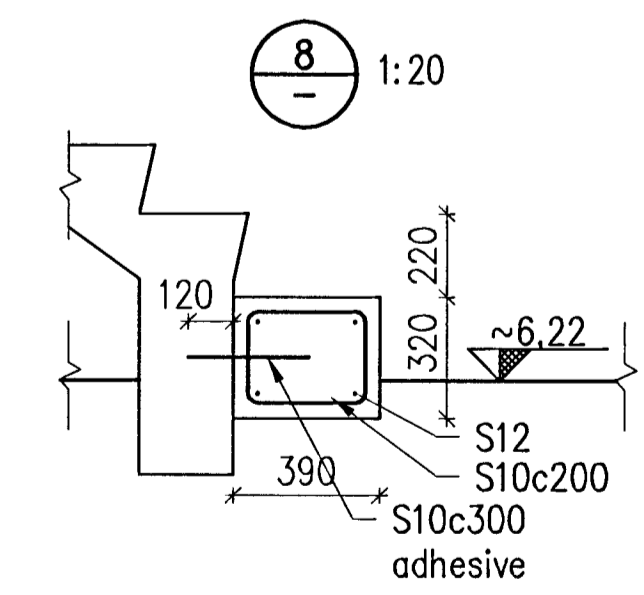
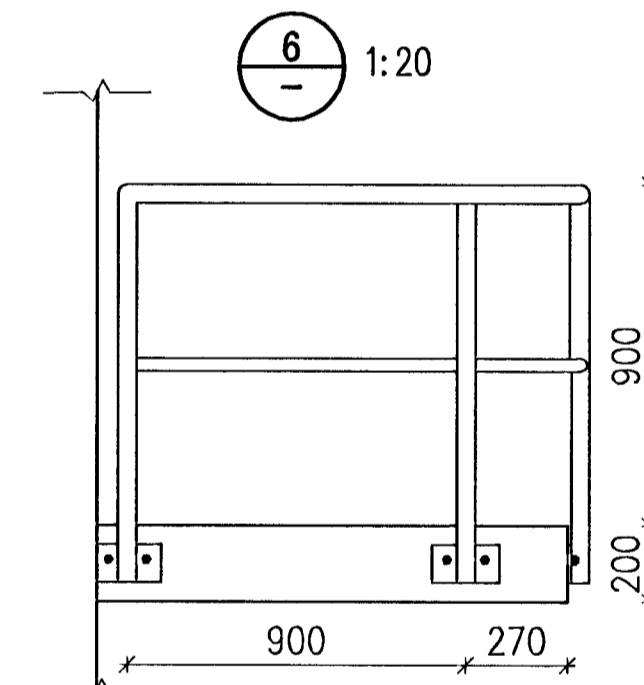
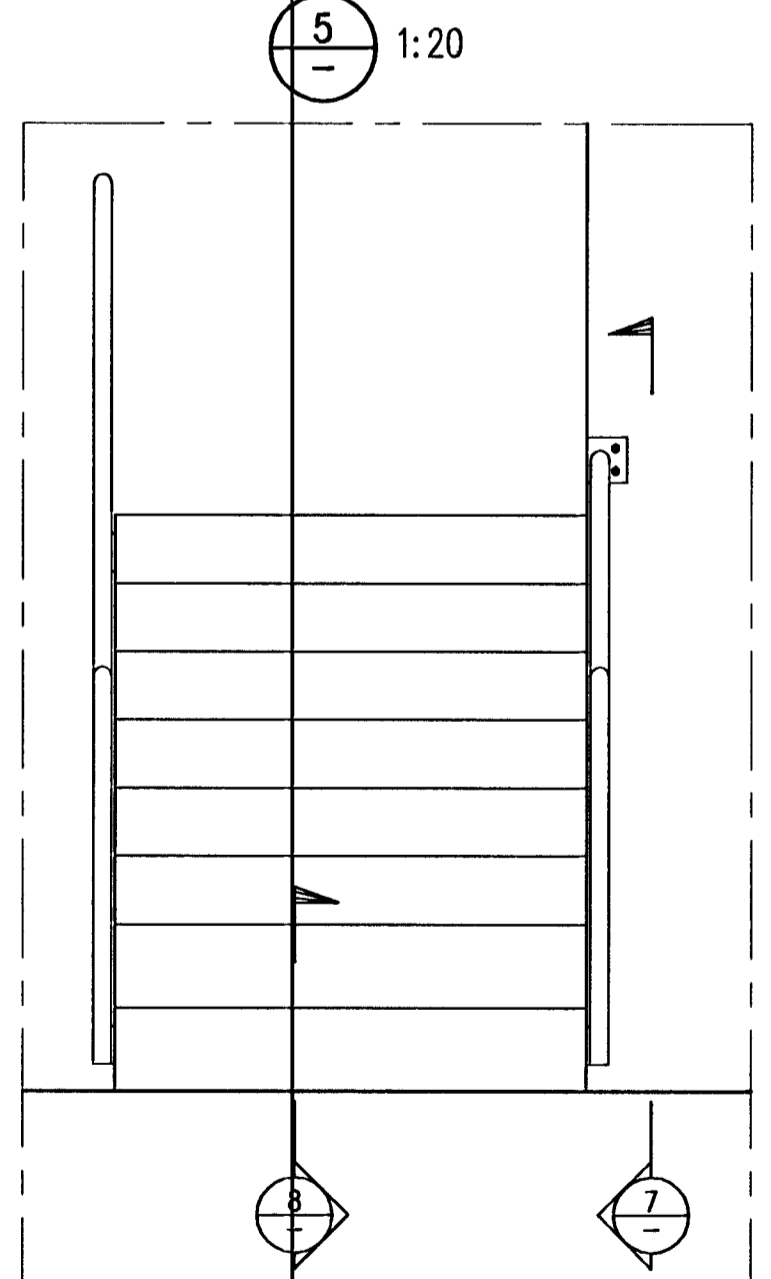
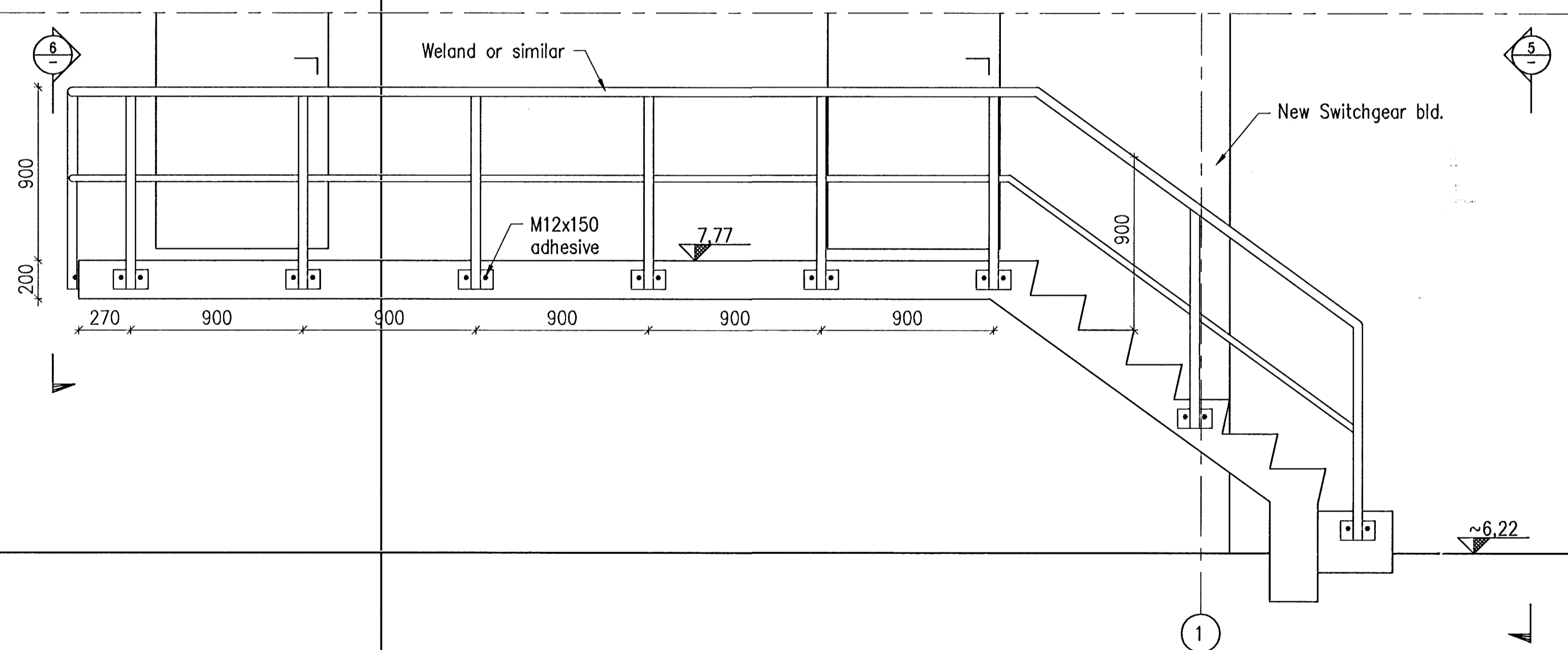


Section 1: 1:20



STAIRCASE 0

see. IDP-410-CO-015-101



Skýringar Legend
Stair/handrail dimensions shall be checked on site

| Útg nr / Rev no | Lýsing / Description | Dagsetning / Date | Han./Tín / Des./Drw | Yfir / Old | Notk heim / Suppl Rel | Notk heim / ISAL Rd |
|-----------------|----------------------|-------------------|---------------------|------------|-----------------------|---------------------|
| 4 | Record Drawing | 2012.06.11 | GMG | NI | SKJ | REA |

This drawing is the property of Rio Tinto Alcan Iceland Ltd. and handed out for personal use only. It may neither be copied nor made available to others without permission of Rio Tinto Alcan Iceland Ltd. The receiver is liable for any misuse.

Scale: 1:20
Dimensions without tolerances according to ISO 2768-1 medium.

HRV HATCH
JOINT VENTURE
REAL PRODUCTION EXPERTISE

Dagsetning / Date: 2011.07.19
Hannað / Designed: GMG
Teikn / Drawn: GMG
Vertkafi / Supplier: HRV
Teikn.nr./vertkafi / Supplier drw.no: IDP-410-ZA-015-313
Samhútt / Approved: NI
Hluti af: / Part of: NI

IPU 410 - POWER AREA
AREA ALONG SWITCHGEAR BLD.
STAIRCASES, PLANS AND SECTIONS

Flokkur nr.: 4011
Bláð nr.: 13982
Nasta bl.nr.:
Kostn.nr.-Cono. / Bgn.nr.-Eq.no: 4011 13982
Teg. teikningar / Dwg. type: STRUCTURAL STEEL

Rio Tinto Alcan
ISAL
Acan Iceland Ltd
Stráumvirk
18-222 Hafnarfróð
Ísland

Teikn.nr. ISAL / Dwg.no. of ISAL: 251364
Breyt./Rev.: A

ISAL Yfirfarð og skrifað, dagi / ISAL Checked, date
ISAL Sambýkkt, dagi / ISAL Approved, date