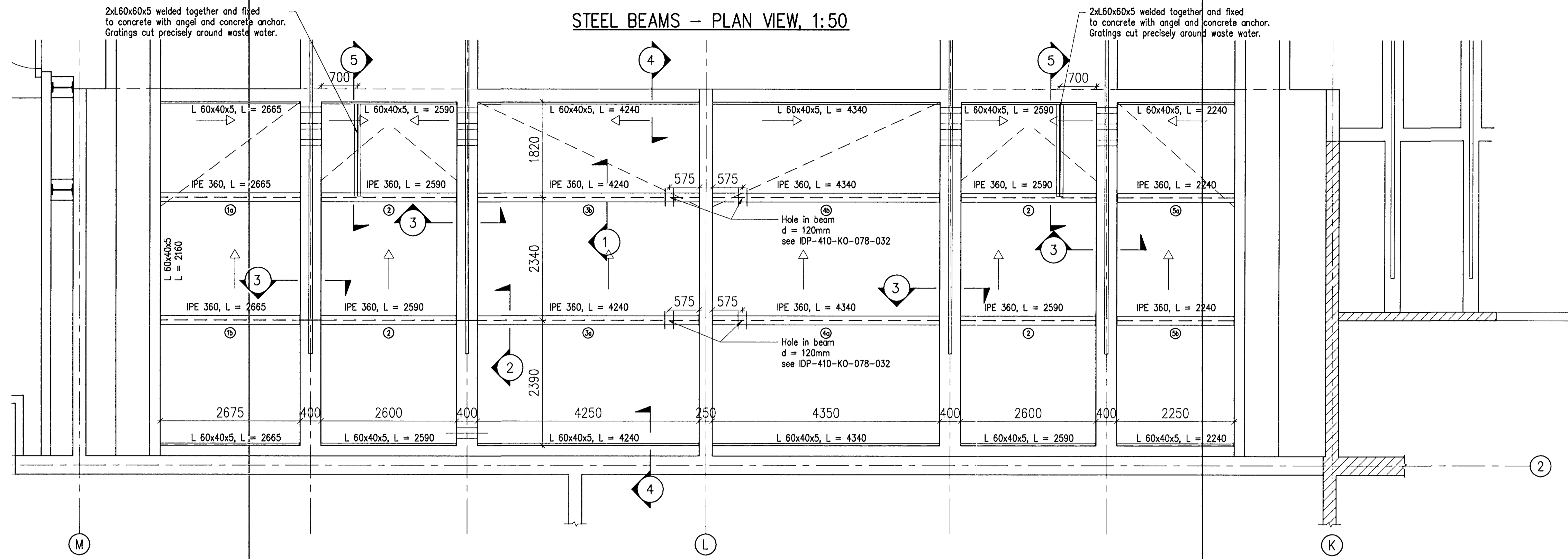


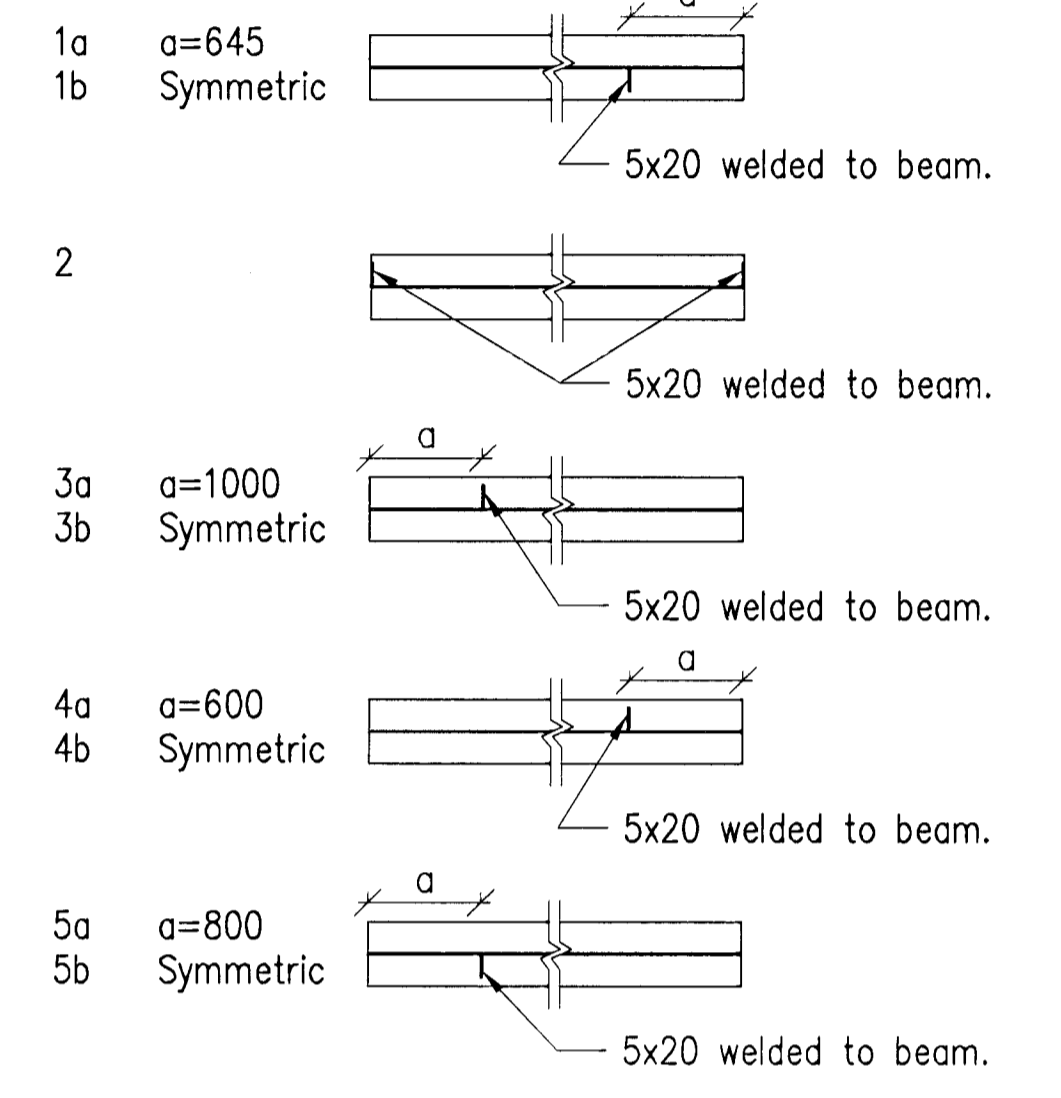
STEEL BEAMS - PLAN VIEW, 1:50



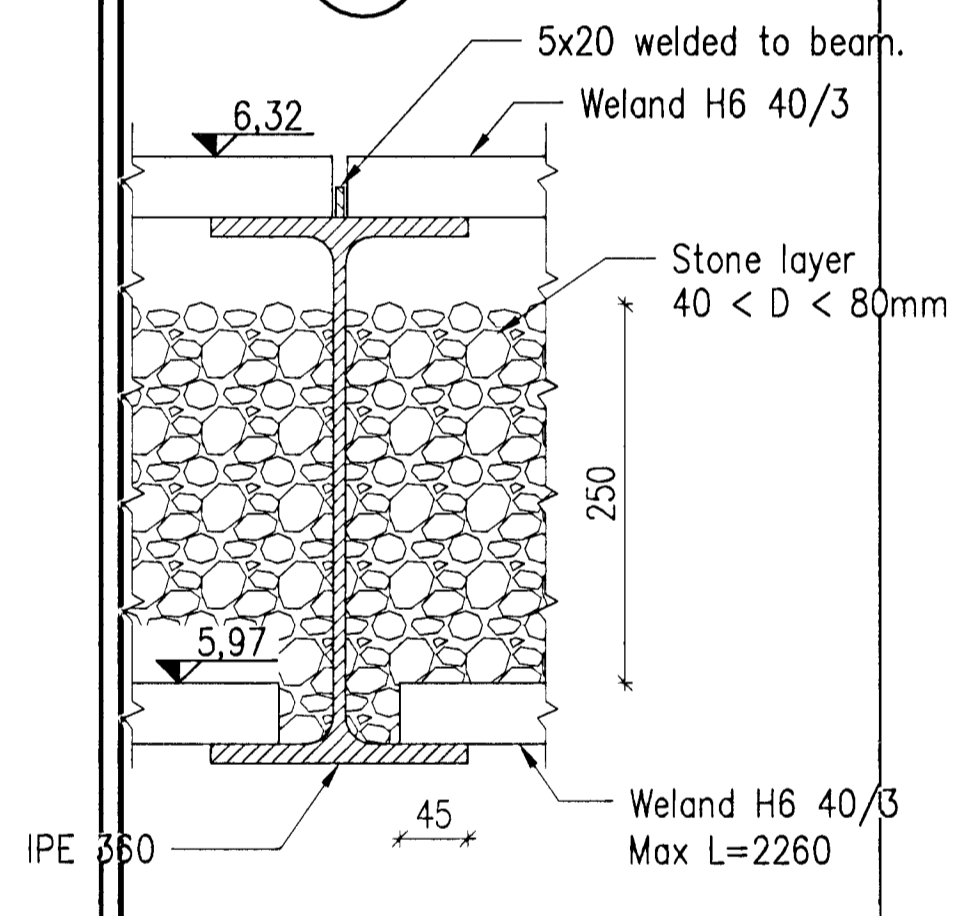
Samþykkt þann
 01 OCT 2012
 Byggingafráttíðing / Háskólinn í
 F.h. Sigurður Steinar Jónsson

Níels Indriðsson
 Kt. 181144-3949
 NI

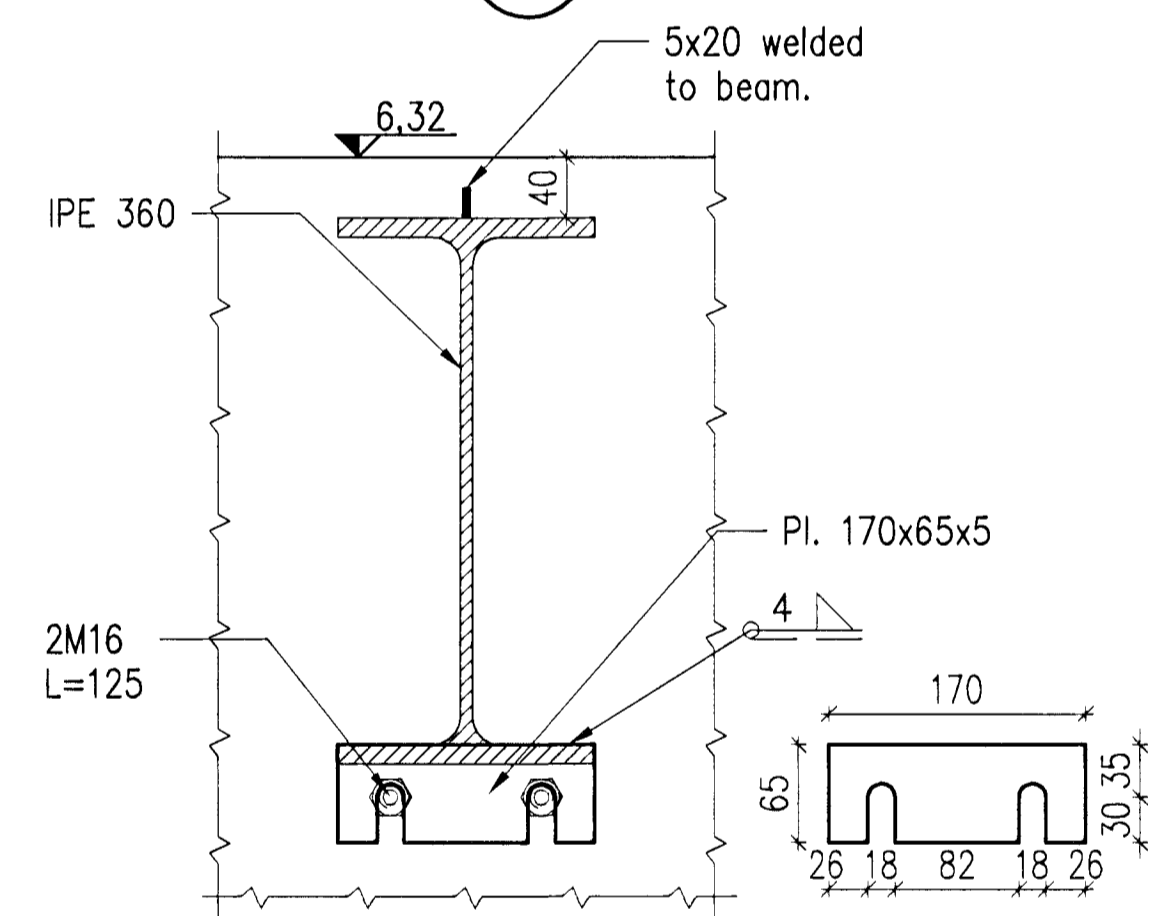
BEAMS. 1:20



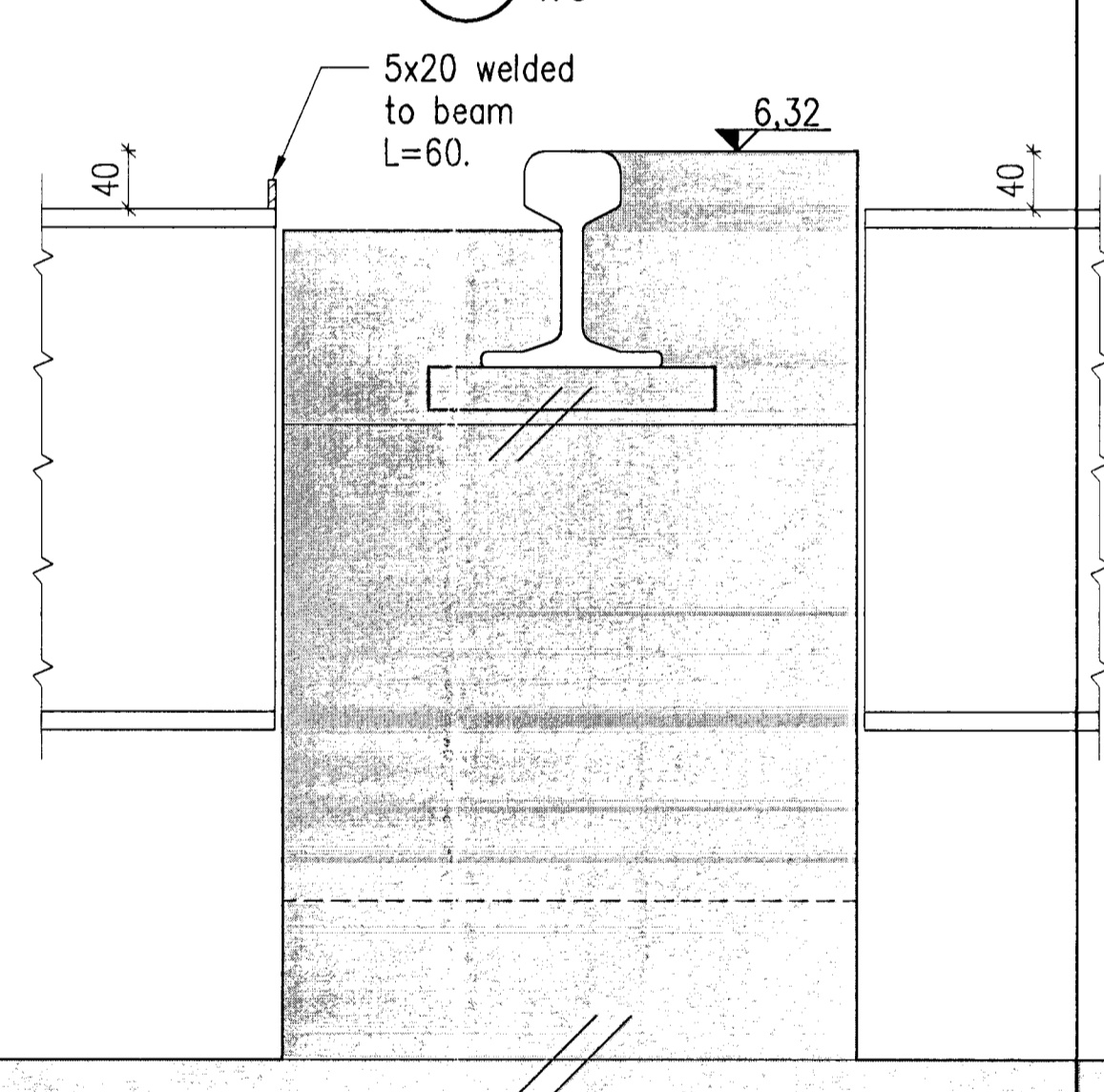
1 SECTION
 1:5



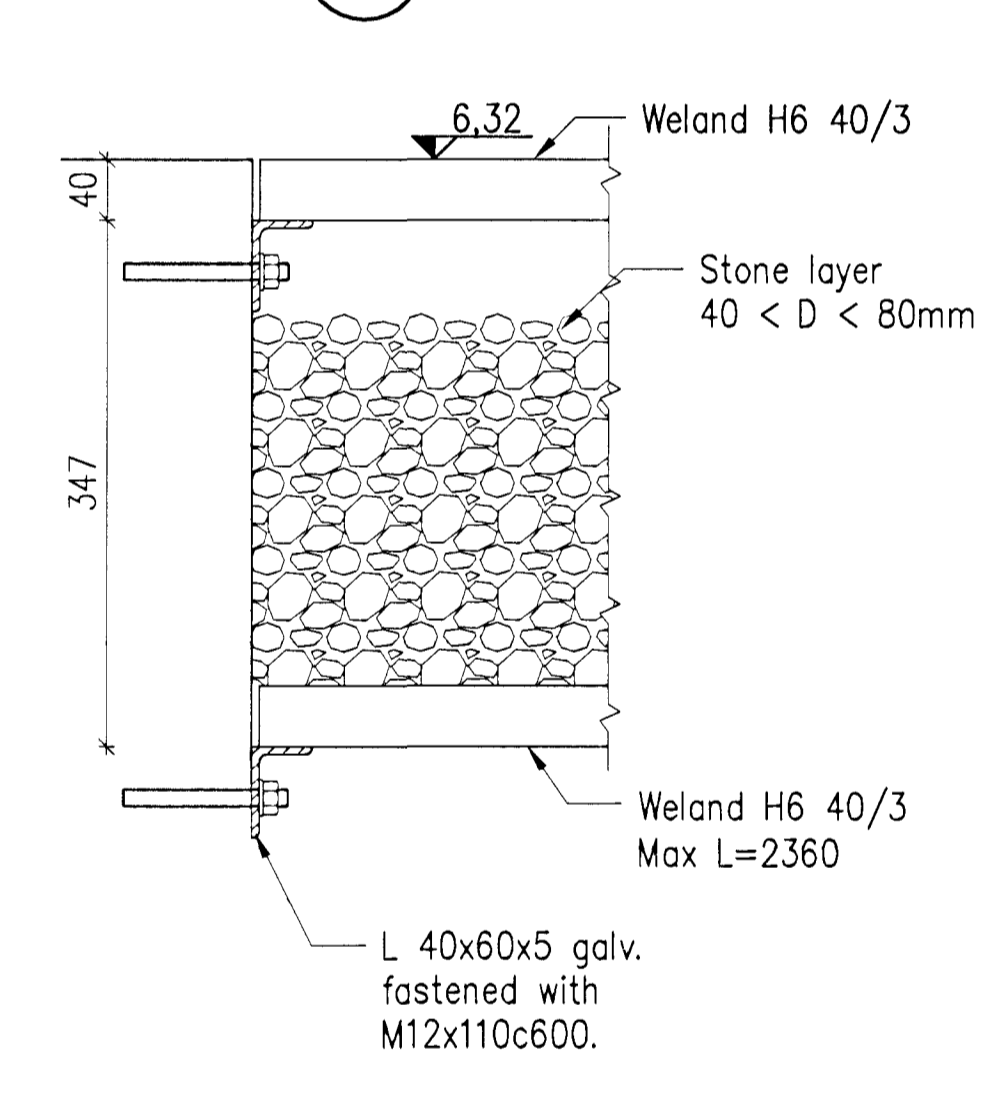
2 SECTION
 1:5



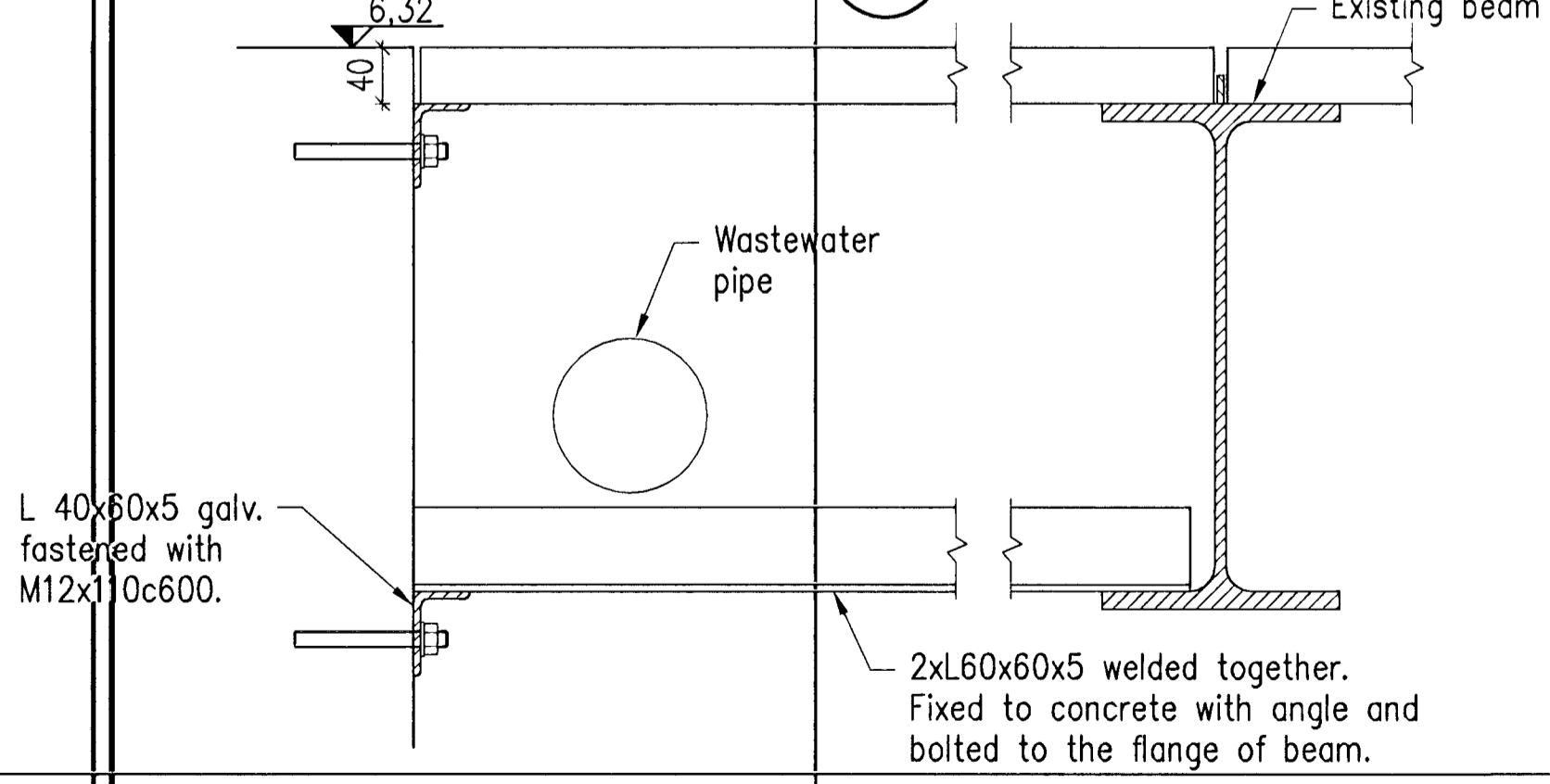
3 SECTION
 1:5



4 SECTION
 1:5



5 SECTION
 1:5

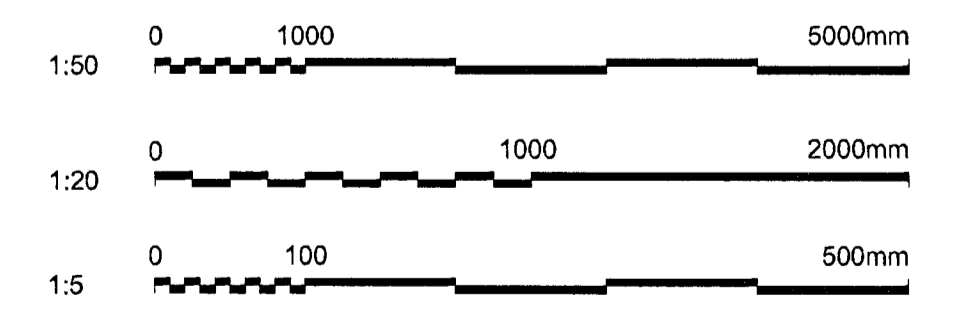


GENERAL NOTES

Steel: S235
 Bolts: 8.8

All grating, support angles and beams and anchorbolts to be hot dip galvanized, min 80µ.

Grating: Weland H6 40/3
 Mesh size 34x75.
 Dimensions shall be determined onsite.



Skýringar:
 Legend Length of beams and angles must be confirmed on site.

Íg nr / Rev no	Lýsing / Description	Dagsetning / Date	Har/Tun / Des/Drw	Yfir / Ckd	Notk heiti / Suppl Rel	Notk heiti / ISAL Rel
4	Record Drawing	2012.07.03	IAJ	NI	SAJ	SAJ

This drawing is the property of Rio Tinto Alcan Iceland Ltd. and handed out for personal use only. It may neither be copied nor made available to others without permission of Rio Tinto Alcan Iceland Ltd. The receiver is liable for any misuse.

Format: A1 Mkv.: 1:5,20,50
 Scale: Dimensions without tolerances according to ISO 2768-1 medium

HRV & HATCH
 ISAL PRODUCTION OPERATOR

Dagsetning / Date: 2010.11.18
 Hönnað / Designed: IAJ
 Teikn / Draw: IAJ
 Verktaki / Supplier: HRV
 Teikn nr verktaka / Supplier drw no: IDP-410-ZA-015-080
 Samþykkt / Approved: NI
 Hluti af / Part of:

IPU 410 - SUBSTATION
 220 kV SWITCHYARD BLD.
 SUPPORT FRAMES

Flakur nr.: Blað nr.: Nasta bl.nr.:
 4011 01188

TEKNIKUR-CONO. / BGN.NR.-EIGNO
 UB01

RioTintoAlcan
 ISAL
 Alcan Iceland Ltd
 Straumavík
 IS-222 Hafnarfjörður
 Ísland

251347 A

ISAL Yfirfarið og skráð, dags / ISAL Checked, date
 ISAL Samþykkt, dags / ISAL Approval, date