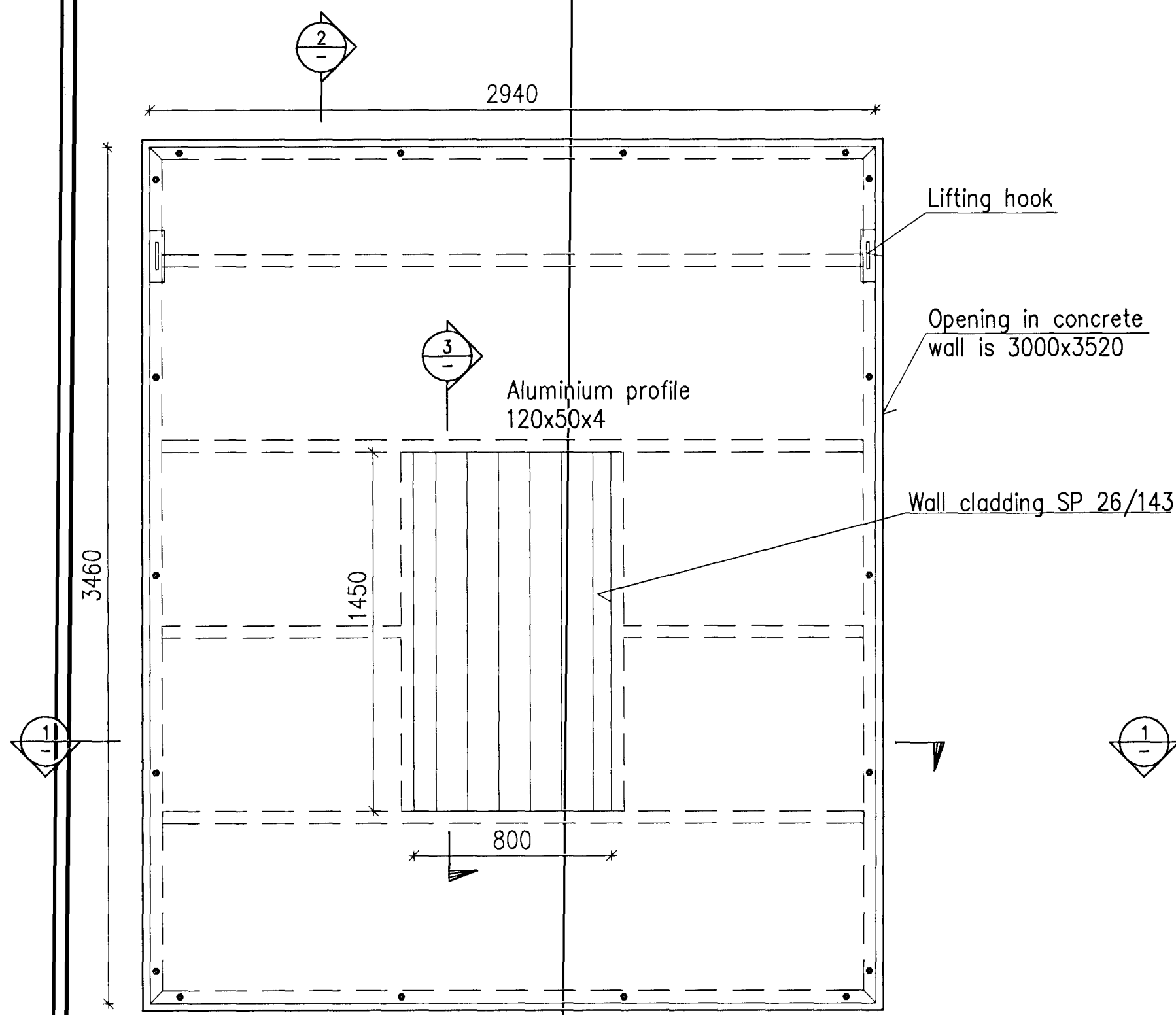
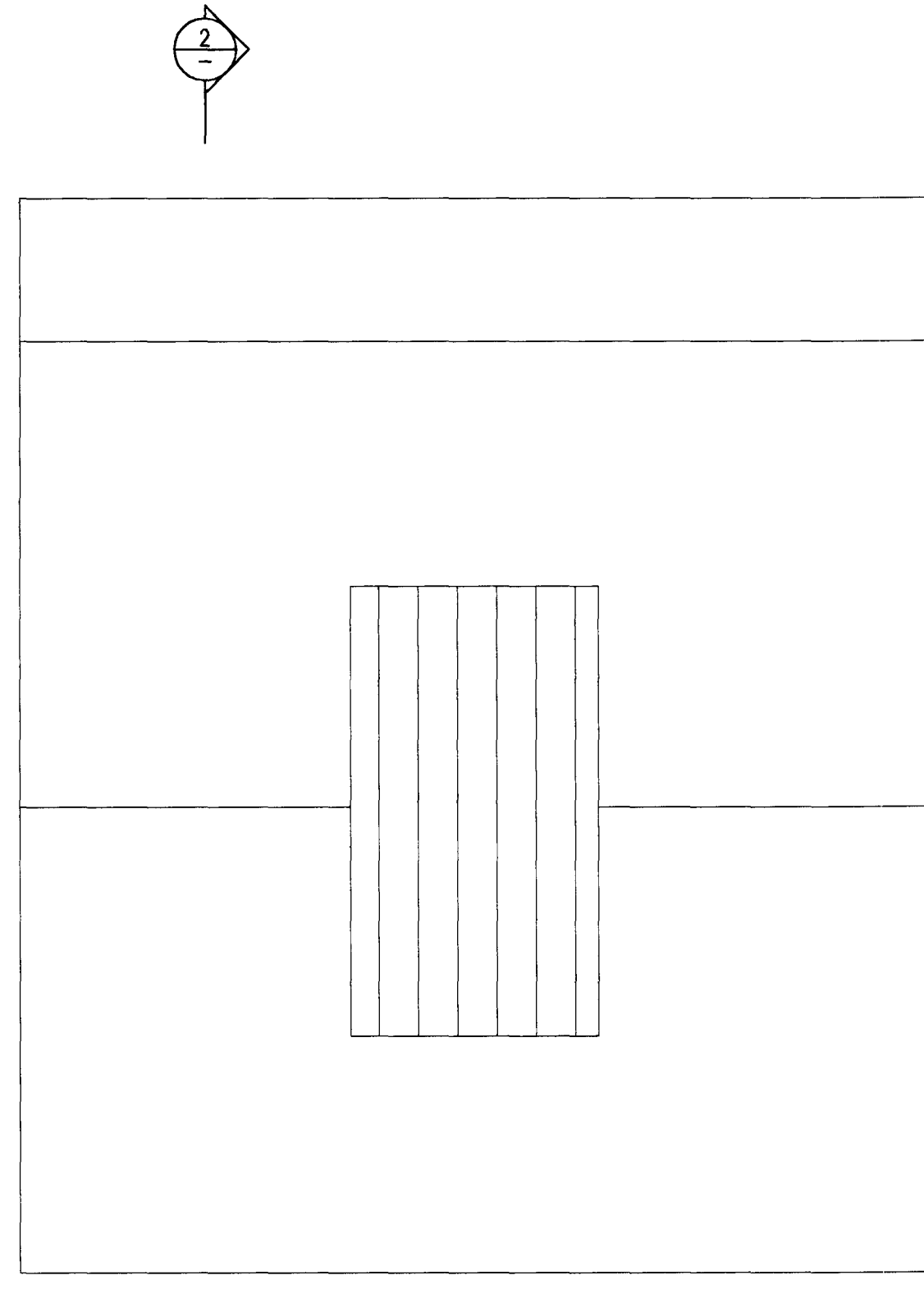


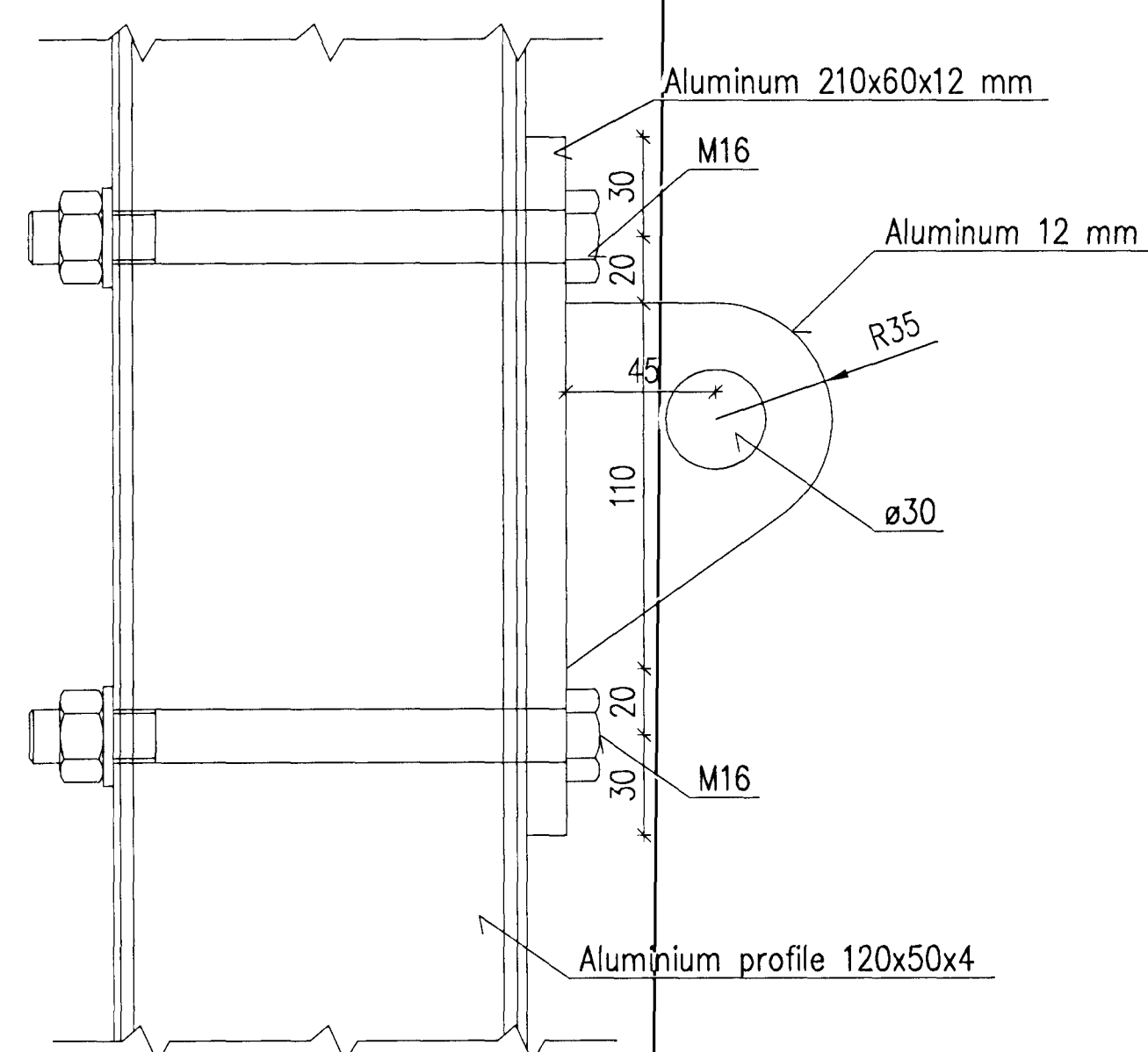
REMOVABLE ALUMINIUM WALL, 1:20



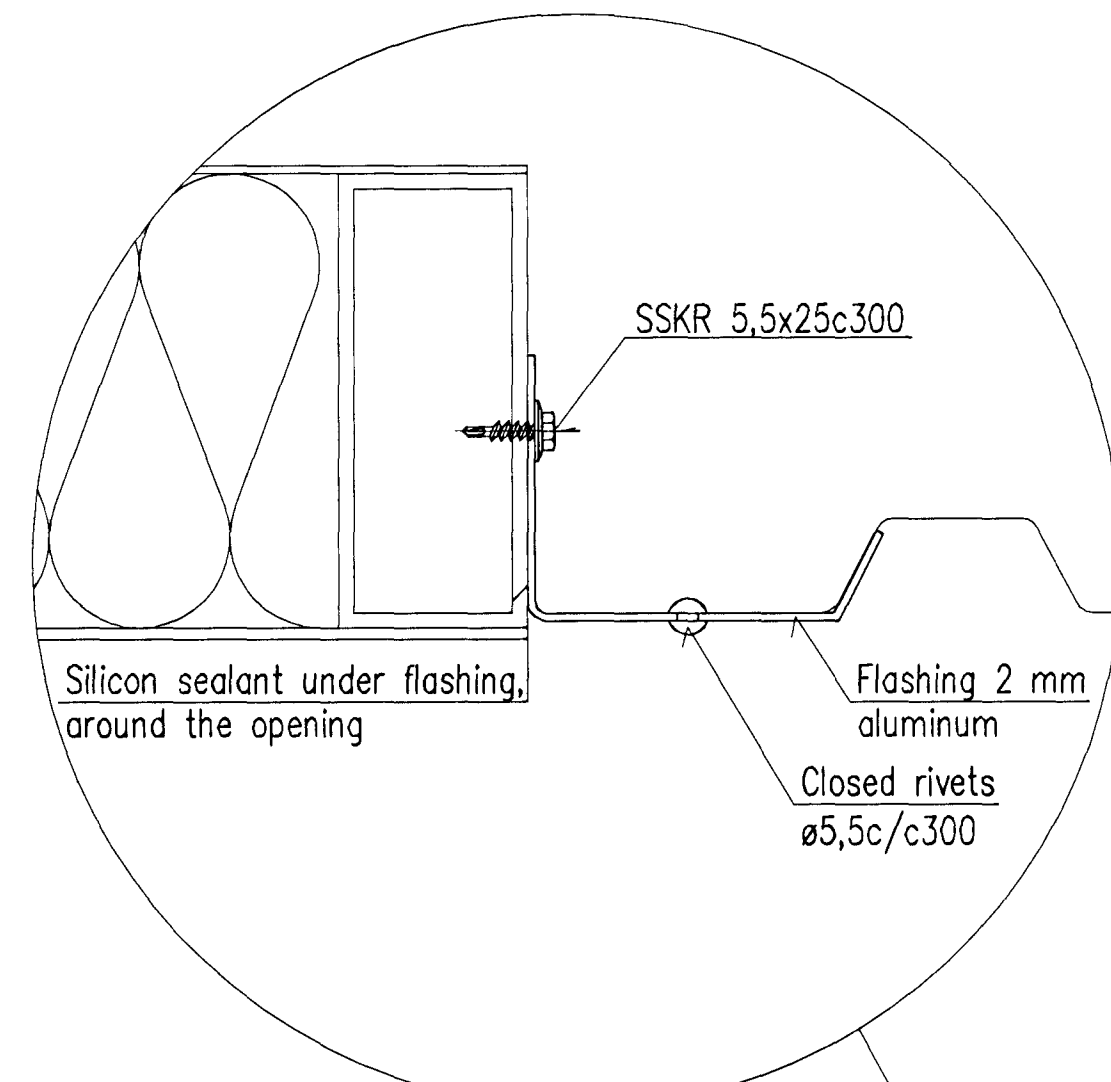
ARRANGEMENT OF ALUMINIUM PLATES, 1:20



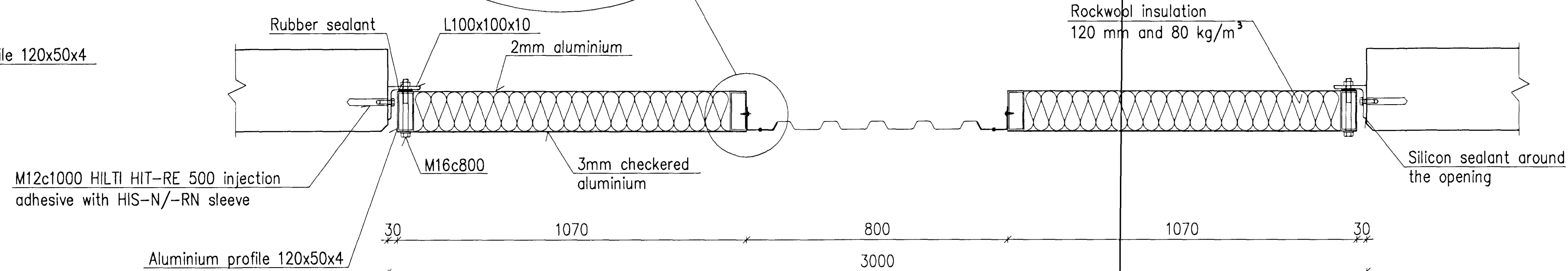
LIFTING HOOK, 1:2



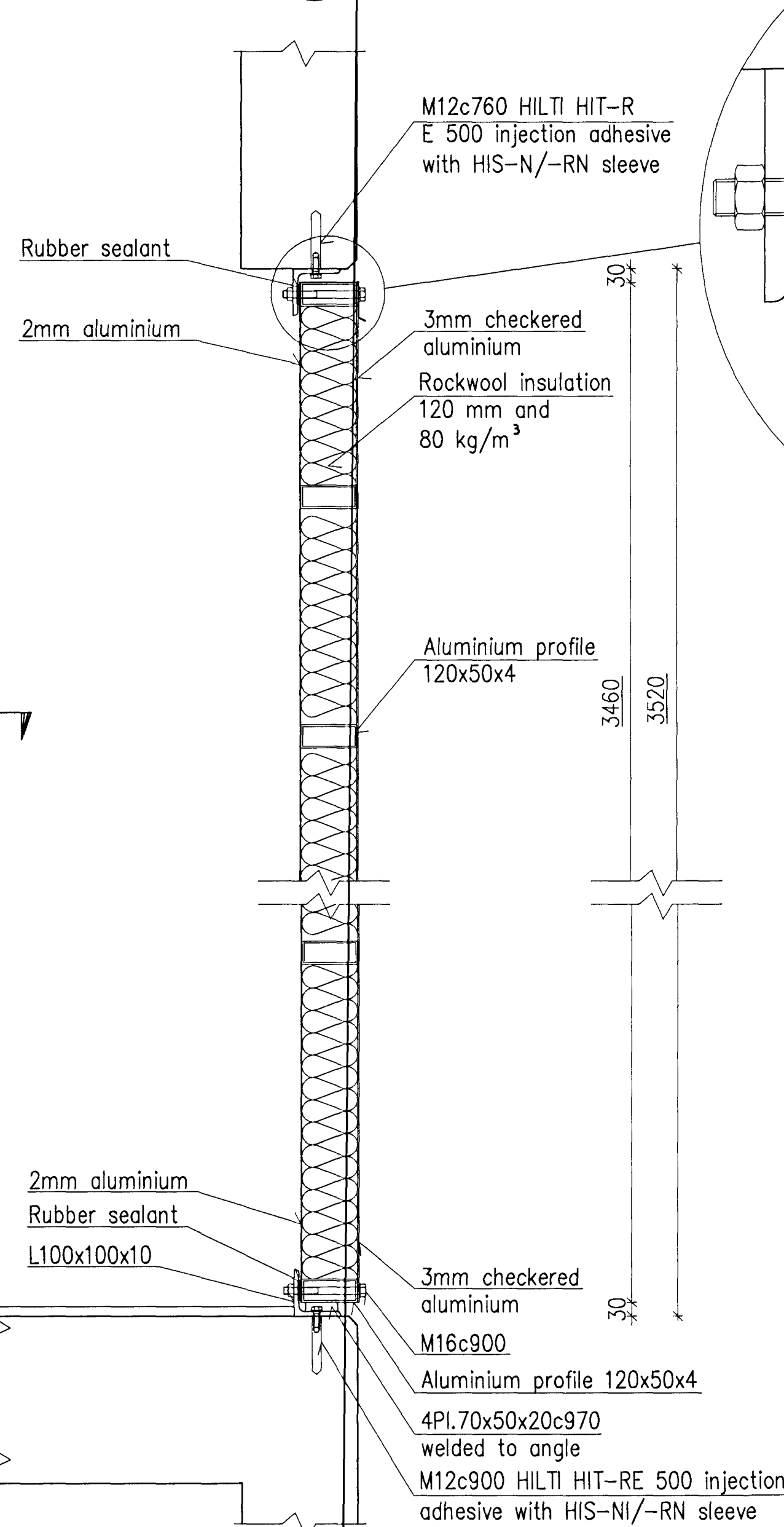
1:2



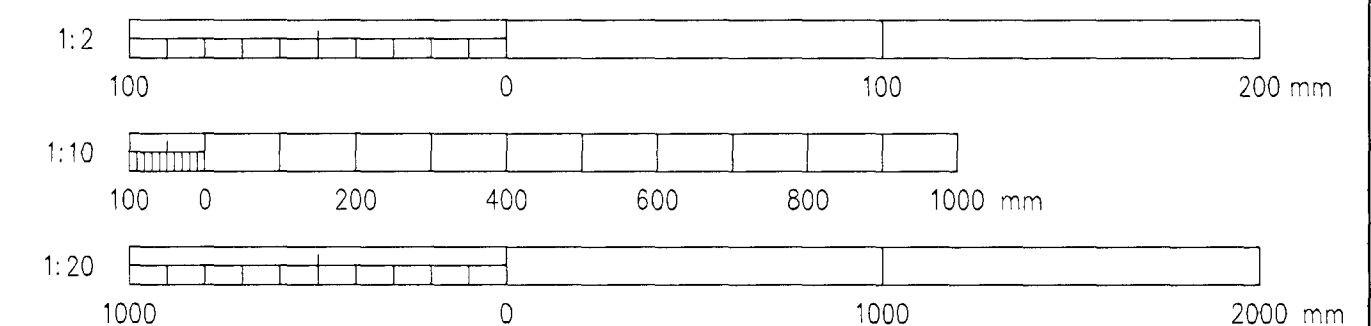
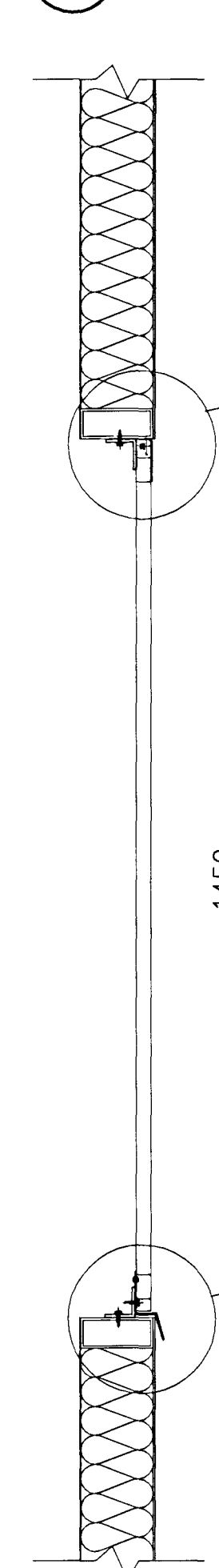
1:10



1:10



1:10



Sampykkt þann
g 1 OCT 2012
Byggingafræðingur Hrafnhildur
Fh. Sigurdur Steinar Jónsson

Níli Indriðason
Kt. 181144-3949
NI

Skýringar: Legend	<p>This drawing is the property of Rio Tinto Alcan Iceland Ltd. and handed out for personal use only. It may neither be copied nor made available to others without permission of Rio Tinto Alcan Iceland Ltd. The receiver is liable for any misuse.</p> <p>Starb. Formát: A1 Mkv.: 1:2/10/20 Dimensions without tolerances according to ISO 2768-1 medium.</p>						Dagsetning / Date: 2011.04.11 Hönnuð / Designed: HS Tekin / Drawn: LDB		IPU 410 - SUBSTATION 60 kV SWITCHGEAR BLD. REMOVABLE ALUMINIUM WALL, SIDE VIEW, SECTIONS STRUCTURAL STEEL		Flokkur nr.: 4011 Blað nr.: 01188
	3 Record drawing 2012.06.11 HS NI <i>hs</i> <i>ni</i> <i>hs</i> 2012.06.11 HS NI <i>hs</i> <i>ni</i> <i>hs</i>						Tilkenniverktíski / Supplier drawn: IPU-410-ZA-015-073 Samþykkt / Approved: NI Hluti af: / Part of: NI		Tilkennir: ISAL Akaon Iceland Ltd Straumavík IS-222 Hafnarfordur Iceland		Tilkennir: ISAL / Dr. no. of ISAL: 251344 Breyt./Rev.: A