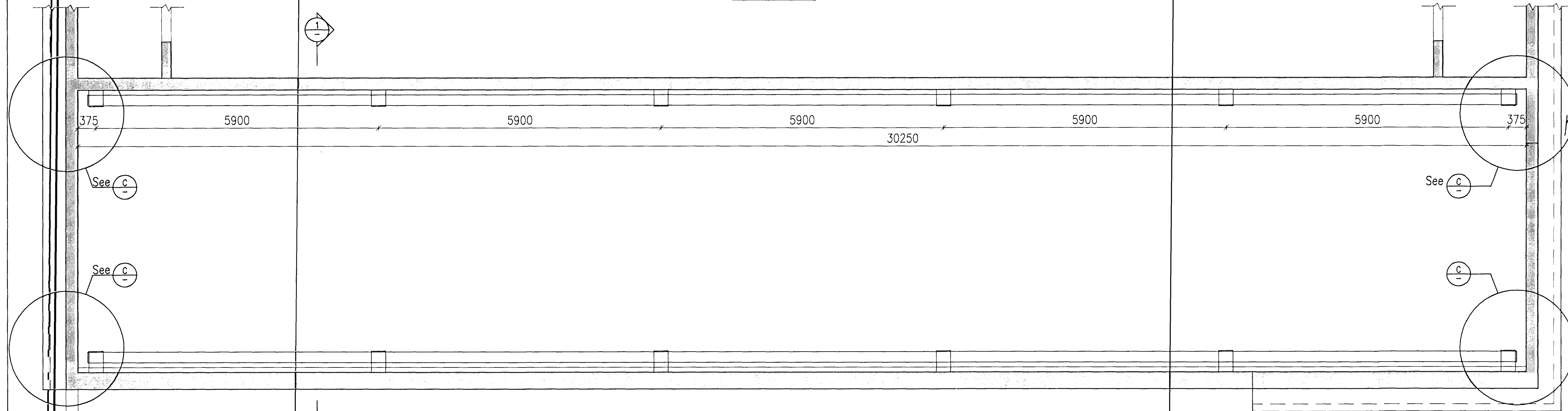


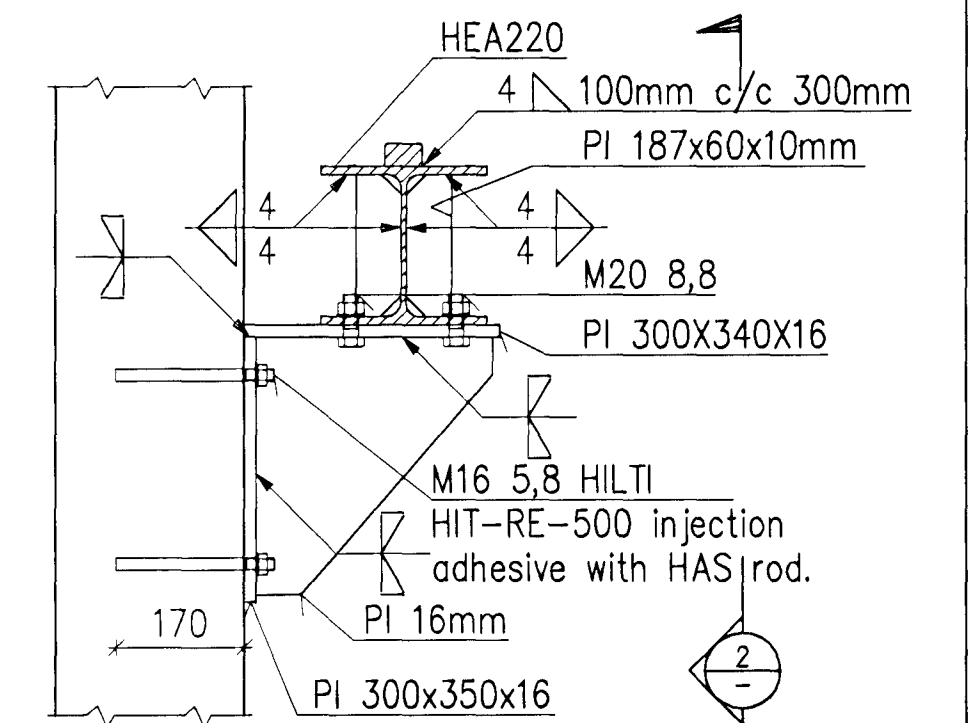
PLAN, 1:50



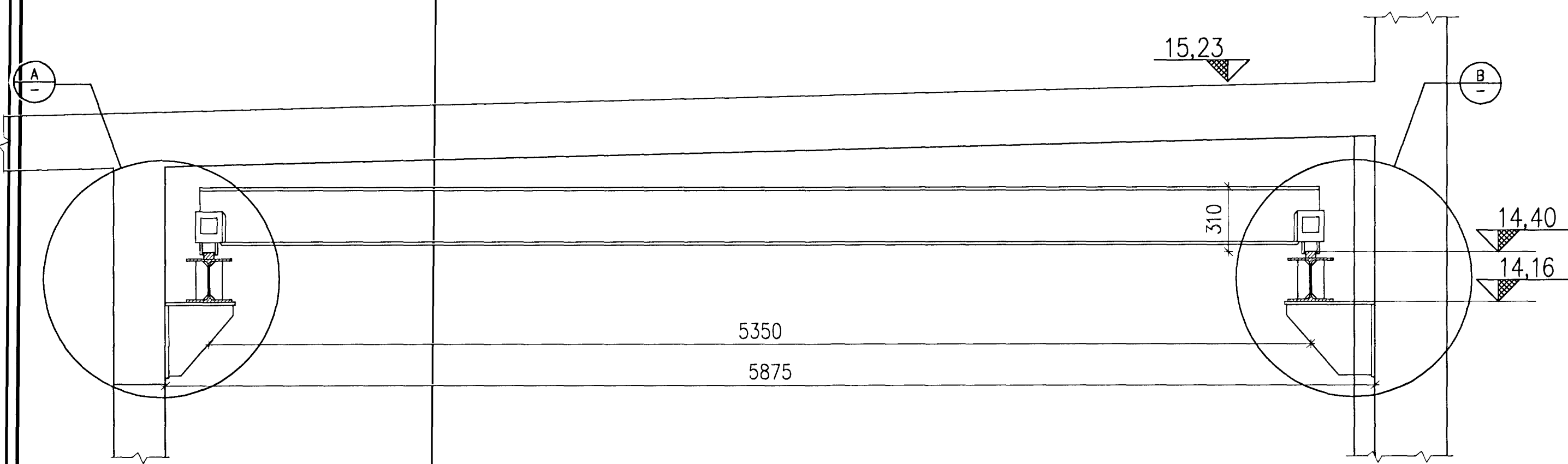
Sampykkt þann
 01 OCT 2012
 Byggingafráttirinn / Hv. nr. 1
 Fh. Sigurður Steinar Jónsson

Wieland Indriðason NI
 Kt. 181144-3949

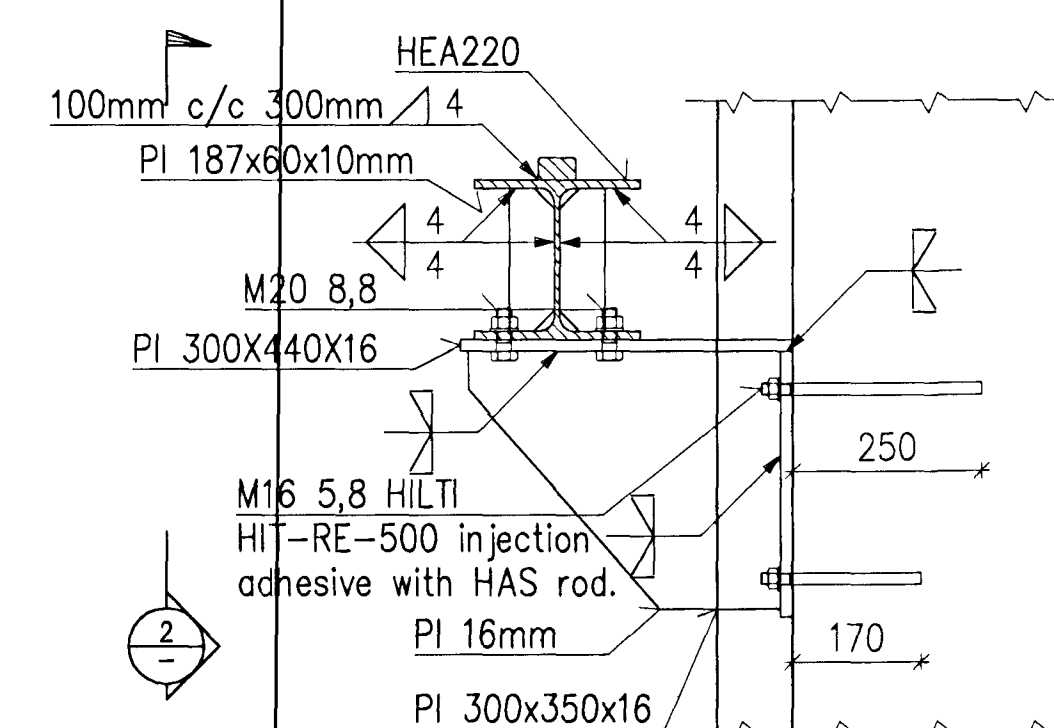
A - DETAIL, 1:10



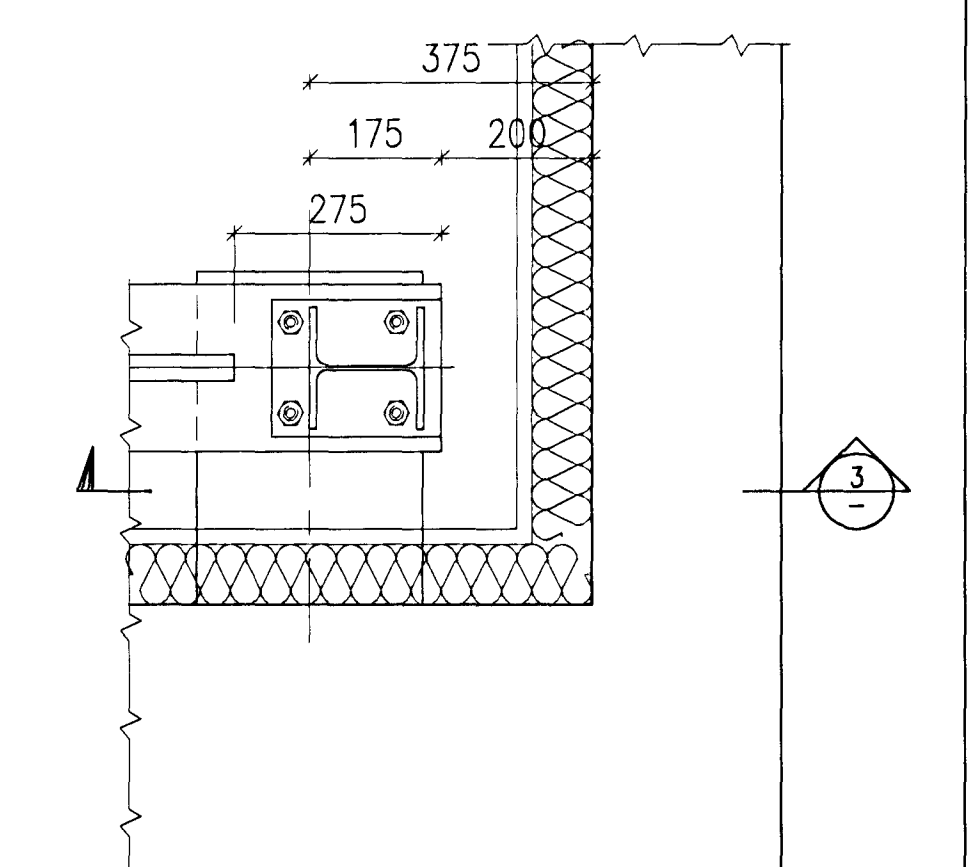
1 - SECTION, 1:20



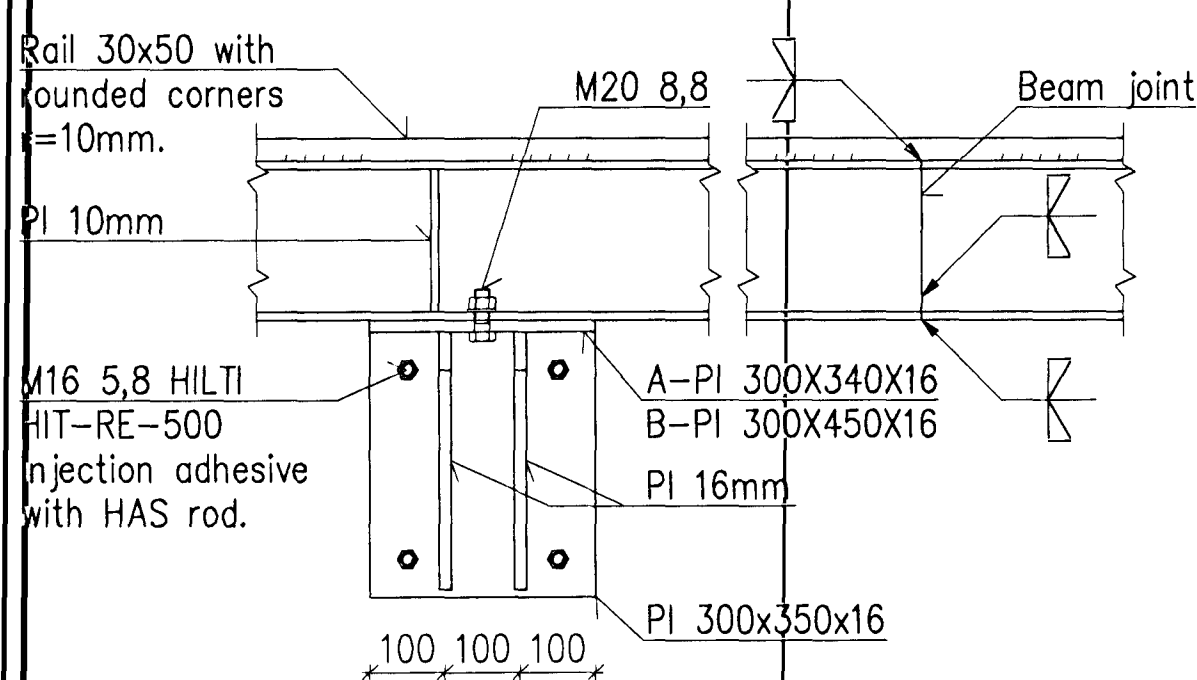
B - DETAIL, 1:10



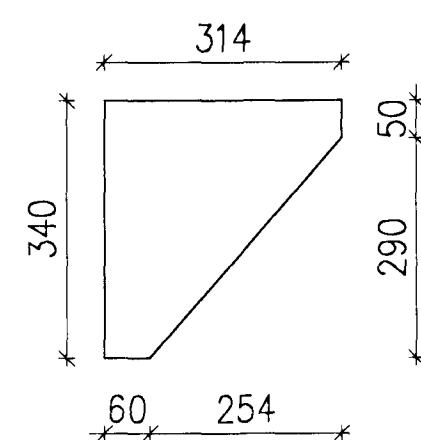
C - DETAIL, 1:10



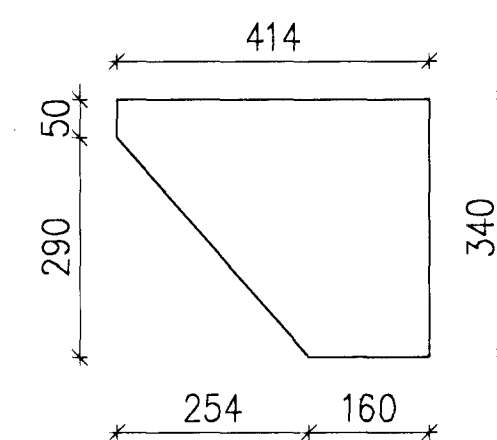
2 - SECTION, 1:10



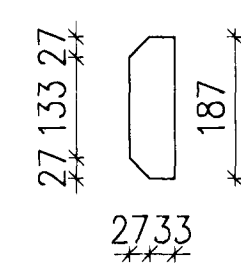
A-PL 16MM, 1:10
12 pcs



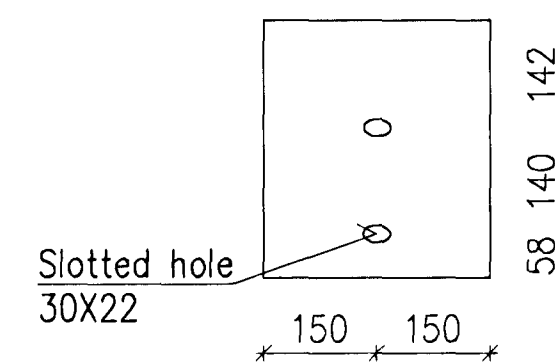
B-PL 16MM, 1:10
12 pcs



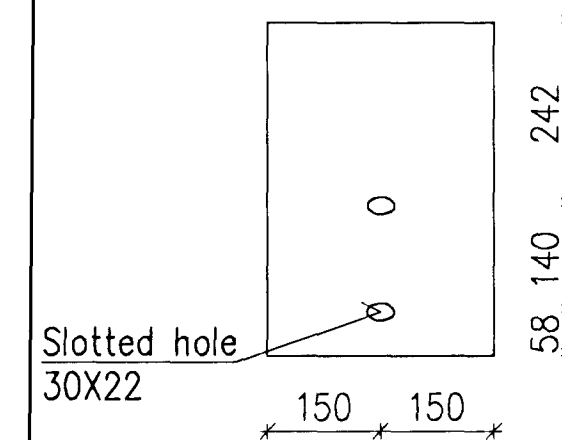
PL 10MM, 1:10
24 pcs



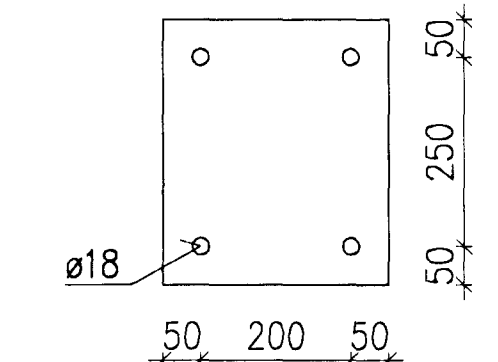
A-PL 300X340, 1:10
6 pcs



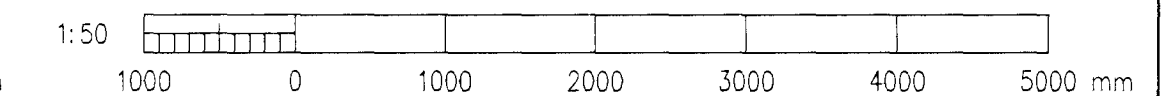
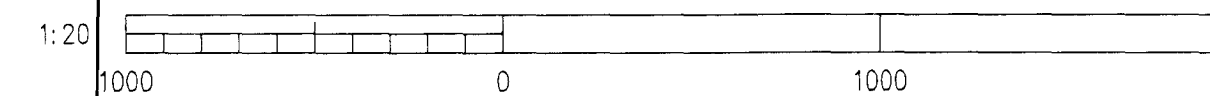
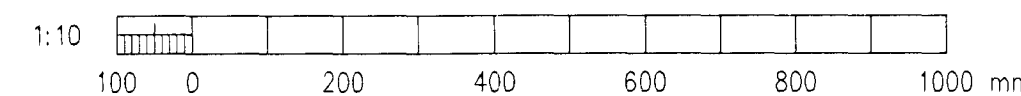
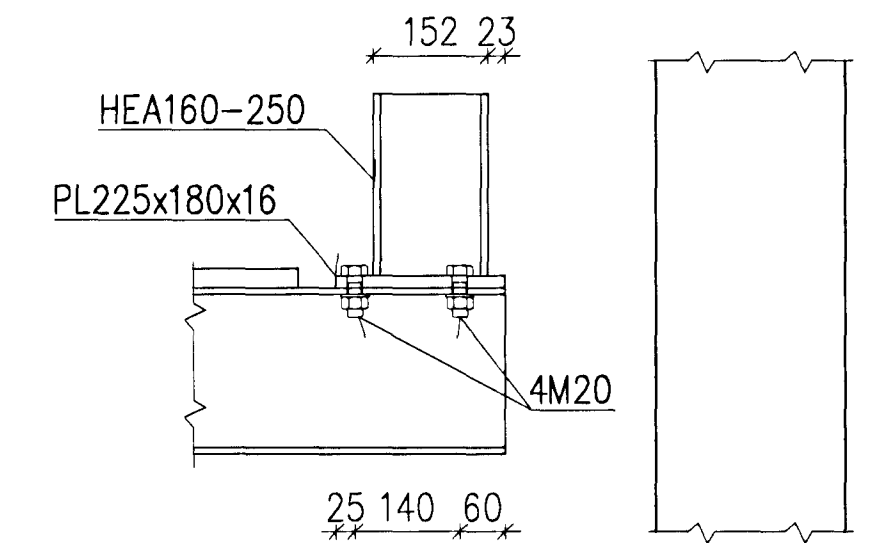
B-PL 300X440, 1:10
6 pcs



PL 300X350, 1:10
12 pcs



3 - SECTION, 1:10



Skýringar: Legenda: Crane rail is designed for 3T CXTS crane from KONECRANES, lifting capacity 30kN.	This drawing is the property of Rio Tinto Alcan Iceland Ltd. and handed out for personal use only. It may neither be copied nor made available to others without permission of Rio Tinto Alcan Iceland Ltd. The receiver is liable for any misuse.				HRV & HATCH REAL PRODUCTION UPPAKAÐI	Dagsetning / Date: 2009.12.01 Hönnað / Designed: HS Tala / Drawn: ÁFV		IPU 410 - SUBSTATION 60kV SWITCHGEAR BLD. PLAN, SECTIONS & DETAILS		Flakkur nr.: 4011 Blað nr.: 01188	Næsta bl.: 01188
	Starb: A1 Mkv.: 1:10/20/50 Formst.: Scale: 1:10/20/50 Dimensions without tolerances according to ISO 2768-1 medium.					Tæknir.versk. / Supplier drw.no: IDP-410-ZA-015-071 Símhakki / Approved: NI Hluti af: / Part of: NI		Teg.teikningar / Dwg. type: OVERHEAD CRANE RAIL		ISAL Tekn.nr. ISAL / Drw.no. of ISAL: 251342 ISAL Tekn.nr. ISAL / Drw.no. of ISAL: 251342 ISAL Samþykkt, dags / ISAL Approved, date:	
16 Record Drawing Lífing / Description:	2012.06.11 Dagsetning / Date:	HS Hönn / Des/Drw:	NI Tala / Drawn:	NI Símhakki / Approved:	NI Hluti af: / Part of:						